



**TALEXconverter 0005 K350 5 VA 350 mA**  
Constant current

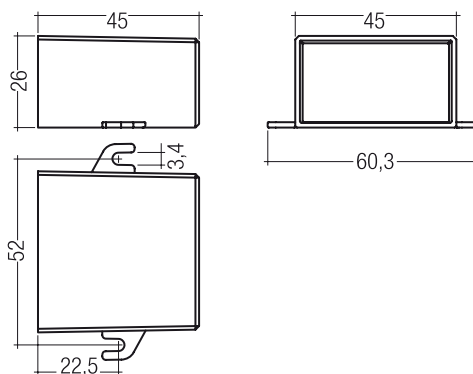
**Product description**

- Constant current converter
- For TALEXeos modules
- Universal input voltage range
- Compact dimensions
- Overtemperature protection
- Overload protection by restricting output
- Connection: Cable with end sleeves (length approx. 200 mm)
- Plastic casing white, encapsulated
- SELV

→ For product data sheet go to [www.tridonic.com](http://www.tridonic.com),  
or available on request

**Technical data**

Rated supply voltage AC	120 / 230 / 240 V
Input voltage, AC	100 – 264 V
Eingangsspannungsbereich DC	120 – 240 V
Rated current (at 230 V 50 Hz)	0.08 A
Mains frequency	0 / 50 / 60 Hz
Efficiency	> 75 %
Output power	5.6 W
Ambient temperature ta	-25 ... +50 °C
Weight	0.1 kg
Dimensions LxWxH	45 x 45 x 26 mm
Hole spacing D	52 mm



**Ordering data**

Secondary voltage DC	Secondary current	Type	Article number
20 V	0.35 A	0005 K350	24139069

Packaging: 20 pieces/carton



Product matrix, page 24

Standards, page 24

Wiring diagrams and installation examples, page 130

For more information please contact

**lightmoves** (03) 9701 2500  
info@lightmoves.com.au

138-146 Browns Rd, Noble Park VIC 3174