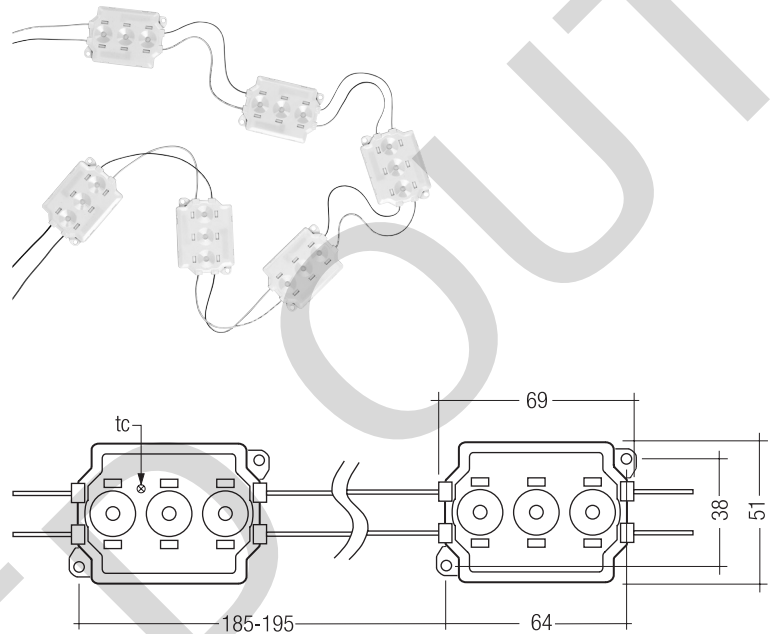


RoHS

## TALEXchain P516-SR TALEXchain SR

### Product description

- LED chain for backlighting surfaces, symbols and lettering in signage applications
- Ideal for signage and advertising surfaces with depths greater than 120 mm
- High luminance possible with a small number of modules
- Reel pack
- LED module with plastic casing and strain relief to prevent mechanical loads on electronic components and glob top
- Attached with M3 screw or premounted double-sided adhesive tape
- High-power LED in chip-on-board technology (COB)
- Integrated current source to stabilise luminous flux
- Flexible chain, can be split between any module
- Beam characteristic: 120°
- Connection: Cable 200 mm, both sides
- For uniform backlighting: minimum distance to cover 120 mm



### Technical data

Ambient temperature $t_a$	-25 ... +45 °C
tc point <sup>Ⓢ</sup>	65 °C

### Ordering data

Colour	Colour temperature	Type	Article number
<b>3 light points per module</b>			
Daylight white	6,500 K	LED P516-SR DL 12V	89600806
Packaging: 1 piece/roll, 18 pieces/carton, 252 pieces/pallet			



Standards, page 3

Colour temperatures and tolerances, page 3

### Specific technical data

Type	Modules per roll	Typ. luminous flux per module <sup>Ⓢ</sup>	Supply voltage DC <sup>Ⓢ</sup>	Typ. current per module <sup>Ⓢ</sup>	Typ. power per module <sup>Ⓢ</sup>	Luminous efficacy	Total length per roll
<b>3 light points per module</b>							
<b>P516-SR DL</b>	5 x 12	70 lm	12 V	160 mA	1.9 W	37 lm/W	5 x 2,560 mm

<sup>Ⓢ</sup> If the max. temperature limits are exceeded, the life of the module will be greatly reduced or the module may be damaged. For the precise position of the tc point see the above diagram.

<sup>Ⓢ</sup> Tolerance range for optical and electrical data: ±15 %.

<sup>Ⓢ</sup> Exceeding the max. operating voltage leads to an overload on the TALEXchain. This may in turn result in a significant reduction in lifetime or even in destruction. Tolerance range for the supply voltage: 12 V: +2 V / -0 V.

All values for  $t_a = 25 °C$ .

For more information please contact

**lightmoves** (03) 9701 2500  
info@lightmoves.com.au

138-146 Browns Rd, Noble Park VIC 3174

Converter matrix – TALEXchain P516-SR

Type	IN-BUILT LCU					REMOTE LCU			
	LCU 015/12 D010	LCU 035/12 D010	LCU 060/12 D010	LCU 100/12 D010	LCU 150/12 D010	LCU 035/12 E020	LCU 060/12 E020	LCU 100/12 E020	LCU 150/12 E020
Article number	24166316	24166318	24166322	24166326	24166331	24166319	24166323	24166327	24166332

Type	Article number	Assignable converter										Max. chaining								
		Number of modules																		
		Min.	Max.	Min.	Max.	Min.	Max.	Min.	Max.	Min.	Max.	Min.	Max.	Min.	Max.	Min.	Max.			
LED P516-SR DL 12V	89600806	1	6	3	16	4	27	7	45	14	68	3	16	4	27	7	45	14	68	12

PHASED OUT

**Standards**

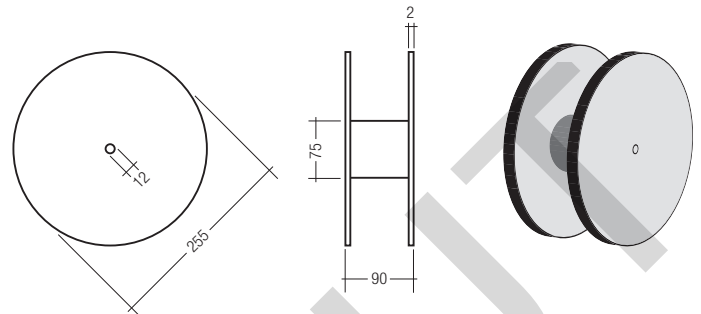
- EN 62031
- EN 62471

The product meets the “inbuilt LED module” classification according to EN 62031.

**TALEX chains in conjunction with water**

- Admissible Environmental Conditions:  
The LED modules are provided with a protective coating to guard against superficial dewing (according to JEDEC JESD22 A100C) and high relative air humidity. If the protective coating is damaged (for example during soldering) it must be rebuilt to sustain the same level of protection.
- Harmful Environmental Conditions:  
The product is not designed to be operated in contact with water.

**Dimensions roll packaging**  
(total weight 1 kg)



**Coordinates and tolerances according to CIE 1964**

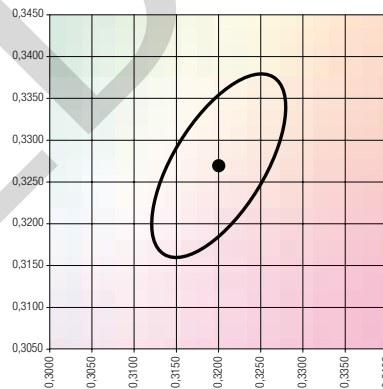
**CIE coordinates:**

**6,500 K**

	x0	y0
Centre	0.3200	0.3270

MacAdam ellipse: 5SDCM

**Daylight white**



For more information please contact

**lightmoves** (03) 9701 2500  
info@lightmoves.com.au

138-146 Browns Rd, Noble Park VIC 3174