

SPACELINE GOLD 2200K

ELEGANT WARM WHITE LINEAR LED

6W

13W

PRELIMINARY

DESCRIPTION

The SpaceLine Gold 2200K is a compact and elegant linear LED luminaire range designed for low to medium power warm white lighting applications.

Using the latest in Lumileds LED chips, the SpaceLine Gold 2700K is perfect for architectural features, cove lighting, under-shelf lighting and many more applications requiring ultra warm white.

FEATURES

5-year Electrical System Warranty

Excellent colour consistency 1/6th ANSI Binning

Colour Temperature 2200K

Long life 50,000 hours (L70)

Low voltage 24VDC constant voltage

Various beam angles available using lens covers 30°/60°/90°/120° or plain clear, frosted, or white

IP Rating IP20

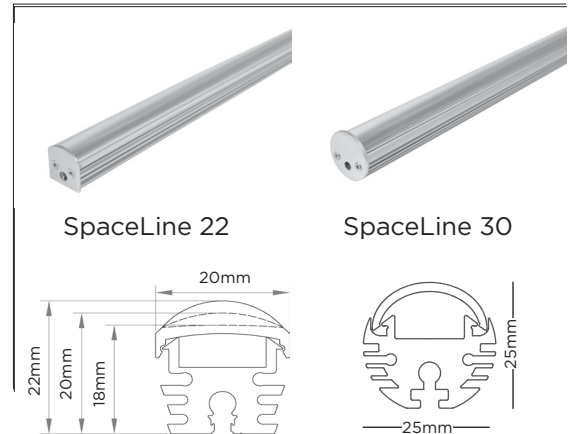
Max. length 1200mm (SpaceLine 30), 2m (SpaceLine 22)

Extrusion Anodised aluminium

Mounting Brackets for easy installation. Available in clip-in fixed angles (0° flat, 15°, 30°, 45°, 60°) or adjustable

Dimmable via Space Cannon's Control CV Series (PWM via 0-10V or DMX) or compatible third-party drivers

CRI 80 standard (90 also available on request)



Adjustable Bracket

ORDERING CODE ¹	DESCRIPTION	POWER WATTAGE	LUMEN OUTPUT	CRI
240530-XX-YY	SPACELINE 22 GOLD LINEAR LED 2200K	5.5W/m	tbc	>80
240531-XX-YY	SPACELINE 30 GOLD LINEAR LED 2200K	5.5W/m	tbc	>80
240532-XX-YY	SPACELINE 22 GOLD LINEAR LED 2200K	13W/m	tbc	>80
240533-XX-YY	SPACELINE 30 GOLD LINEAR LED 2200K	13W/m	tbc	>80

¹ Ordering codes:

XX = Beam Angle (30 = 30°, 60 = 60°, 90 = 90°, 120 = 120°)

YY = Cover (CL = Clear, FR = Frosted, WH = White)

Additional fixed mounting bracket options (SpaceLine 22 only)



0° Fixed Bracket



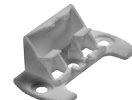
15° Fixed Bracket



30° Fixed Bracket



45° Fixed Bracket



60° Fixed Bracket

Official Partner



Specifications subject to change without notice. Revised 21/4/2016.



www.spacecannon.com.au