

# PIXEL 6

10W

## OUTDOOR DIRECT-VIEW LED NODE FOR SMALL AND LARGE-SCALE APPLICATIONS

### DESCRIPTION

The Pixel-series of luminaires are high-output compact LED nodes designed for decorative outdoor applications.

The Pixel 6 is powered by six Philips Luxeon Rebel LEDs, and is available in single colour, warm/cool white, RGB colour-changing or custom-configuration.

Perfect for accentuating architectural features in large-scale pixel-mapping applications, it's equally suited for small to medium decorative projects.

Fully dimmable with integral DMX and RDM for remote address-setting and diagnostics, the Pixel 6 is the perfect choice for special effect and architectural feature lighting.

### FEATURES

**GORE® Vent** Waterproof membrane that allows the luminaire to breathe with changing environmental conditions whilst preventing dust and moisture ingress.

**Housing** Anodised aluminium, custom colours available\* (black finish was customised for the AAMI Park project).

**Cable** Combined UV-stabilised low-voltage power/data cable with custom 5-pin in/out connectors for easy installation. Simply daisy-chain together.

**Diffuser** Shock and UV-resistant cover that allows 180 degree viewing.



IP  
66

# PIXEL 6

10W

## OUTDOOR DIRECT-VIEW LED NODE FOR SMALL AND LARGE-SCALE APPLICATIONS

### SPECIFICATIONS

#### Housing

Aluminium  
- anodised or powder-coated

#### Ingress Protection

IP66

#### Control

DMX512, RDM  
(Remote Device Management)  
Onboard thermal management  
with RDM monitoring and  
current (brightness) reduction  
in the event of overheating.

#### LEDs

6 x Philips Lumileds LUXEON  
Rebel LEDs  
(2 x red, 2 x green, 2 x royal  
blue)

#### LED Optics

Diffuser dome only.

#### LED Colours

Single colour:  
Red, Green, Blue, Amber, Cool  
White, Warm White.  
Also available in variable white  
and variable colour (RGB).

#### Power

24V DC  
Max. power: 10W

#### Accessories

Stainless steel bracket ØM6 hole

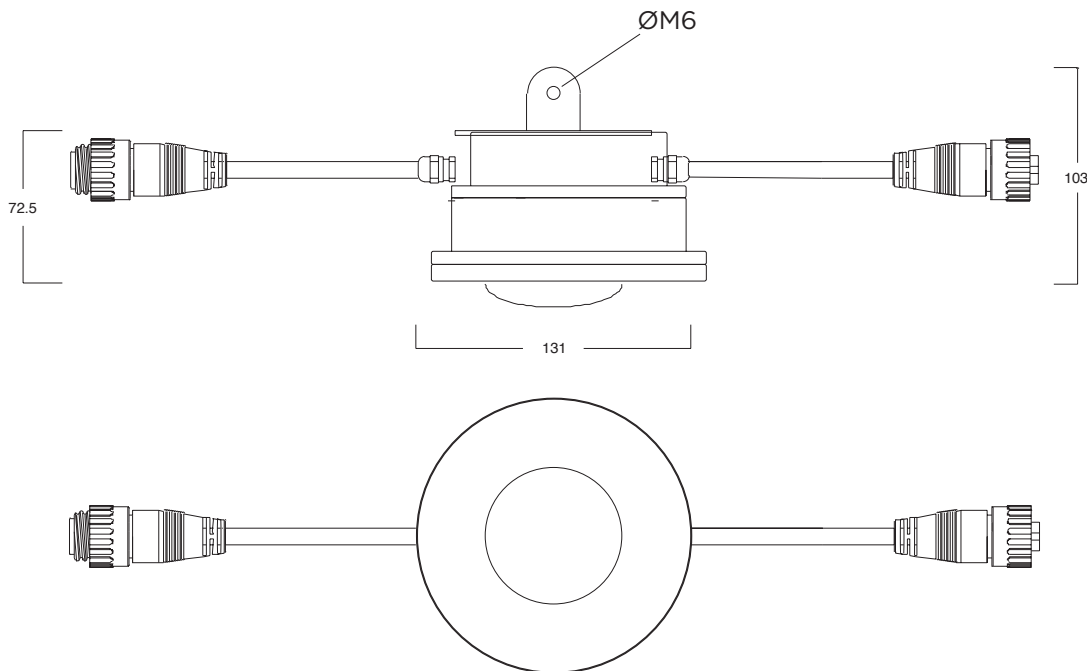
#### Accessories not included

DMX controller

#### Weight

1.04kg (excluding cable)

### DIMENSIONS



[www.spacecannon.com.au](http://www.spacecannon.com.au)