

JILSPOT 12

ULTRA HIGH-POWER LED SPOTLIGHT

20W

DESCRIPTION

The JiSpot 12 DMX is an ultra high-output compact LED spotlight designed for architectural feature and general lighting applications.

Powered by the latest Philips Luxeon Rebel LEDs, the JiSpot 12 DMX is available in single colour, warm/cool white, or RGBA/RGBW colour-changing. It's perfect for lighting architectural features, grazing walls, lighting passages, stairways, windows, and much more.

Fully dimmable with integral power supply and DMX RDM driver, the JiSpot 12 DMX is the perfect choice for special effect outdoor feature highlighting.

It's compact "plug-and-play" connectors and integral drivers make it a perfect choice for difficult installations and heritage buildings.

FEATURES

Collimators High precision optics available in narrow, medium, wide, and elliptical angles to suit every application.

Lens Transparent, weatherproof, and shock-resistant.

Housing Anodised aluminium, custom colours available*.

Fins Heat-management system for efficient and reliable long-term operation.

Cable Combined UV-stabilised power/data cable with Space Cannon's custom 7-pin in/out connectors for easy installation. Simply daisy-chain together, and fully compatible with other Space Cannon 7-pin luminaires (e.g. Athena FIM, Aurora).

Adjustable Bracket Allows the mounting of the luminaire in any working position.



LED
COLOURS
AVAILABLE



RGBW/A
COLOUR
MIXING

IP
65

JILSPOT 12

ULTRA HIGH-POWER LED SPOTLIGHT

20W

SPECIFICATIONS

Housing

Aluminium
- anodised or powder-coated

Ingress Protection

IP65

Control

DMX512, RDM
(Remote Device Management)
Onboard thermal management
with RDM monitoring and
current (brightness) reduction
in the event of overheating.

LEDs

12 x Philips Lumileds LUXEON
Rebel LEDs

LED Optics

Specify at time of order:
10°, 20°, 30°.

Also available with no optics or
custom beam angles - contact
your local distributor.

LED Colours

Single colour:

Red, Green, Blue, Amber, Cool
White, Warm White.

Also available in variable white
and variable colour (RGBA or
RGBW).

Power

90-250VAC 50/60Hz single
phase with over-voltage,
overload, and short-circuit
protection
JilSpot 12 DMX: 20W

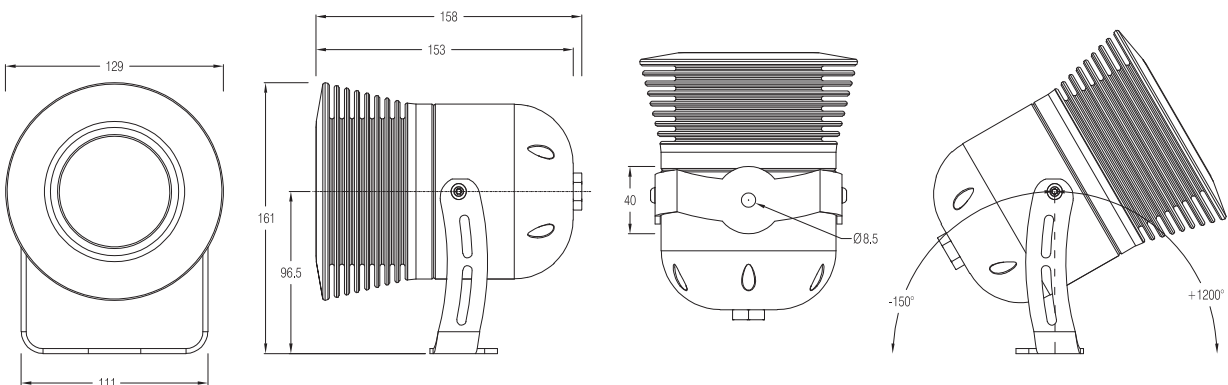
Accessories

Mounting brackets

Accessories not included

DMX controller

DIMENSIONS



www.spacecannon.com.au