

MURO TILT S

FIXED LOW-GLARE LED RECESSED WALLWASHER

12W

DESCRIPTION

Body: Die-cast Aluminium

Reflector: Optical Reflector & Glass

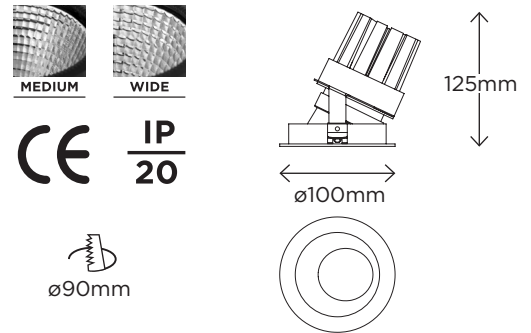
Trim: Aluminium (white standard, black/custom avail.)

Driver: Remote constant current

Weight: 0.55kg

FEATURES

- 5-year Electrical System Warranty
- High Colour Consistency
- Passive Cooling
- 3000K and 4000K (others avail. on request)
- Beam angles 30° and 56°
- Dimmable (Phase Dim¹, DALI)
- CRI >90
- Cutout \varnothing 90mm
- Low Glare



ORDERING CODE ²	DESCRIPTION	POWER (W)	LUMEN OUTPUT
			CRI 90
180000-90-YY	MURO TILT LED WALLWASHER 12W 3000K 30°	12	900
180001-90-YY	MURO TILT LED WALLWASHER 12W 4000K 30°	12	970
180002-90-YY	MURO TILT LED WALLWASHER 12W 3000K 56°	12	635
180003-90-YY	MURO TILT LED WALLWASHER 12W 4000K 56°	12	660

¹ Phase-dimming - please contact your local representative for further information.

² Ordering codes:

XX = CRI (refer to table)

YY = Control Options (PD = Phase Dim, ND = Non-Dim, DA = DALI)