

MURO TILT M

20W

FIXED LOW-GLARE LED RECESSED WALLWASHER

DESCRIPTION

Body: Die-cast Aluminium

Reflector: Optical Reflector & Glass

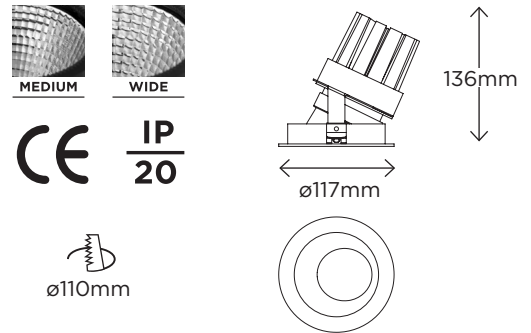
Trim: Aluminium (white standard, black/custom avail.)

Driver: Remote constant current

Weight: 0.86kg

FEATURES

- 5-year Electrical System Warranty
- High Colour Consistency
- Passive Cooling
- 3000K and 4000K (others avail. on request)
- Beam angles 30° and 50°
- Dimmable (Phase Dim¹, DALI)
- CRI >90
- Cutout \varnothing 110mm
- Low Glare



ORDERING CODE ²	DESCRIPTION	POWER (W)	LUMEN OUTPUT
			CRI 90
180020-90-YY	MURO TILT LED WALLWASHER 20W 3000K 30°	20	1195
180021-90-YY	MURO TILT LED WALLWASHER 20W 4000K 30°	20	1390
180022-90-YY	MURO TILT LED WALLWASHER 20W 3000K 50°	20	885
180023-90-YY	MURO TILT LED WALLWASHER 20W 4000K 50°	20	964

1 Phase-dimming - please contact your local representative for further information.

2 Ordering codes:

XX = CRI (refer to table)

YY = Control Options (PD = Phase Dim, ND = Non-Dim, DA = DALI)