

# NIRO SQ 20S

20W

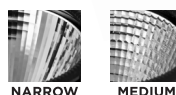
ROUND ADJUSTABLE LED DOWNLIGHT • S-SERIES

## DESCRIPTION

**Trim:** Die-cast Aluminium (white standard)  
**Body:** Die-cast Aluminium (white standard)  
**Safety Cover:** Clear PC  
**Reflector:** Aluminium  
**Weight:** 0.50kg  
**Cutout:** Ø120mm

## FEATURES

- 5-year Electrical System Warranty
- High Colour Consistency (MacAdam 3 SDCM)
- Future-proof: Interchangeable LED Modules (Zhaga) – [www.zhagastandard.org](http://www.zhagastandard.org)
- Passive Cooling
- Dimmable<sup>1</sup>
- CRI >80
- Tiltable 20°
- Also available in 2700K and 5000K

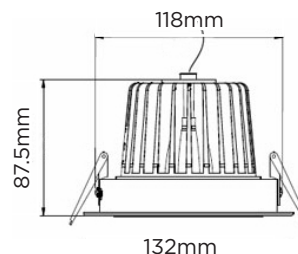


ORDERING CODE <sup>2</sup>	DESCRIPTION	POWER WATTAGE	LUMEN OUTPUT	
			CRI>80	CRI>90
112010-XX-YY-ZZ	NIRO SQ 20S SQUARE ADJ. LED DOWNLIGHT 3000K 15°	20	2154	1711
112011-XX-YY-ZZ	NIRO SQ 20S SQUARE ADJ. LED DOWNLIGHT 3000K 28°	20	2141	1748
112012-XX-YY-ZZ	NIRO SQ 20S SQUARE ADJ. LED DOWNLIGHT 3000K 36°	20	2115	1411
112013-XX-YY-ZZ	NIRO SQ 20S SQUARE ADJ. LED DOWNLIGHT 4000K 15°	20	2211	1797
112014-XX-YY-ZZ	NIRO SQ 20S SQUARE ADJ. LED DOWNLIGHT 4000K 28°	20	2208	1835
112015-XX-YY-ZZ	NIRO SQ 20S SQUARE ADJ. LED DOWNLIGHT 4000K 36°	20	2178	1482

<sup>1</sup> Phase-dimming - please contact your local representative for further information.

<sup>2</sup> Ordering codes:  
 XX = CRI (refer to table)  
 YY = Control Options (ND = Non-Dim, PD = Phase Dim, DA = DALI, DMX = DMX512)  
 ZZ = LED module (BL = Bridgelux)

Specifications subject to change without notice. Updated 23 Jan 2017.



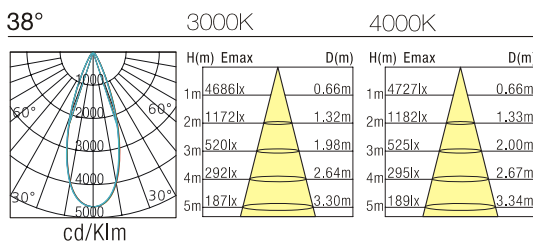
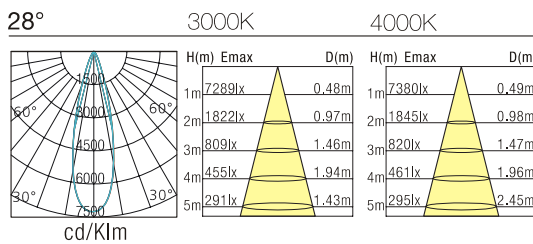
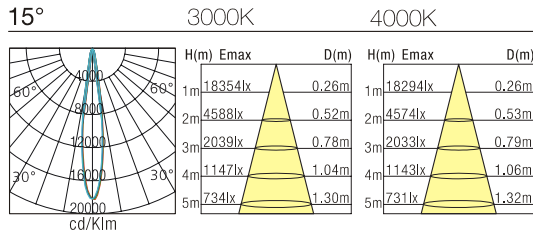
# NIRO SQ 20S

20W

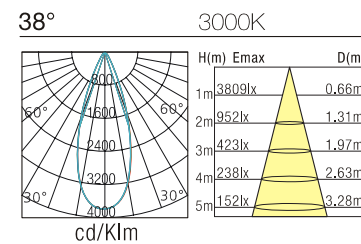
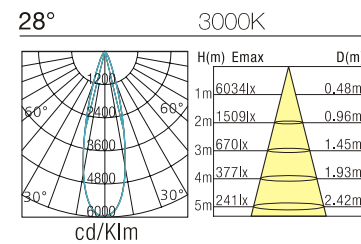
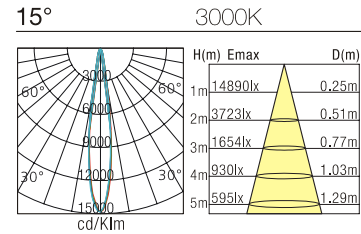
ROUND ADJUSTABLE LED DOWNLIGHT • S-SERIES

## PHOTOMETRICS

CRI>80

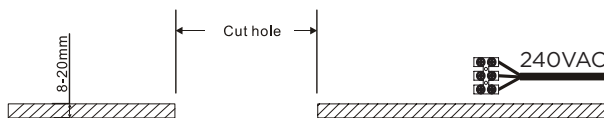


CRI>90

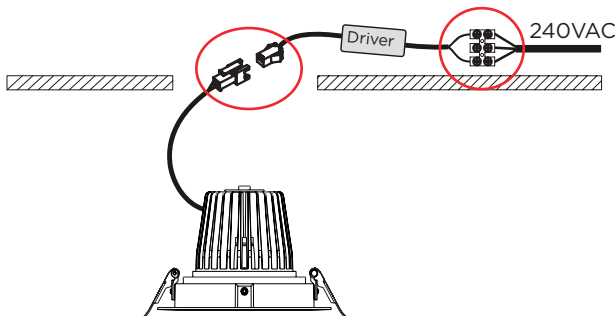


## INSTALLATION INSTRUCTIONS

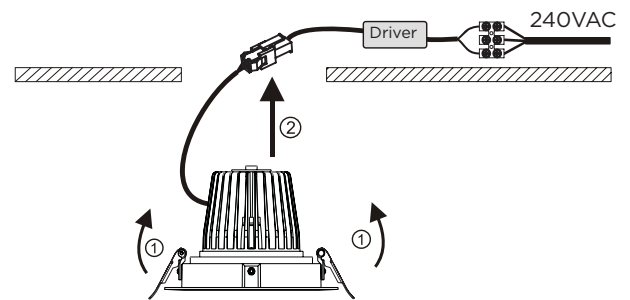
**STEP 1:** Cut hole to suit - refer cutout size first.



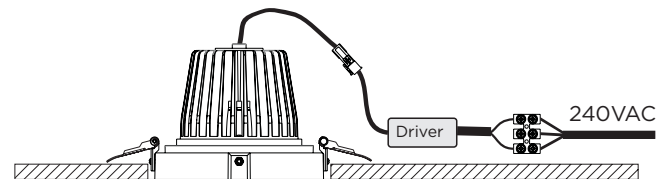
**STEP 2:** Ensure power is off - never connect live! Connect and terminate accordingly.



**STEP 3:** Fit and secure luminaire into hole.



**STEP 4:** Installation complete. Let there be LED!



Note: Installation to be carried out by a licensed electrician in accordance with relevant local regulations only. Do not connect live!