

PULSAR CHROMAINGROUND 50 DATASHEET



CHROMAINGROUND 50 WITH MOUNTING KIT



CHROMAINGROUND 50 REAR VIEW

50 Watts	24V DC	85-277V MSA version	IP66	2.5 kg 5.5 lbs	+50°C to -20°C	+122°F to -4°F
15 3W LEDs	100,000h Dynamic	25,000h Full On	4 LED Options	Custom Population	6 Lens Options	
+10V Input	Smooth Dimming	Flicker Free	Thermal Management	Chroma Zone Driven		
Stainless Steel	316 Marine Grade	10mm Tough Glass	IK 10 Rated	IP66 Connector	Gimbal Alignment	
UK Made	CE Marked	3 Year Guarantee				

ChromaInGround 50 Luminaire

- 50 Watt low voltage powered In Ground high output LED luminaires designed for architectural and entertainment applications.
- 15 high efficiency 3 Watt LEDs driven by Pulsar's advanced 100% flicker-free electronics for ultra smooth dimming and colour control.
- Choice of 4 LED populations, from single colour to our flagship TriColour colour mixing RGB technology.
- Fabricated from 316 marine grade brushed stainless steel with a 10mm (0.4") toughened glass allowing it to be walked or driven over.
- IP66 ChromaFlexSUB underwater cable is available separately.
- Available in 8°, 25°, 45°, 10x35°, 10x90° or 90° (No Lens) beam angles.
- Mains Stand Alone (MSA) single colour models also available (85-277 VAC).



Featured products: ChromaInGround 50



Text



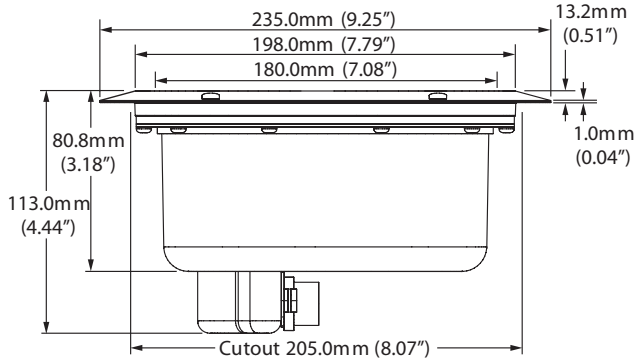
Pulsar Light of Cambridge Ltd

3 Coldhams Business Park, Norman Way, Cambridge CB1 3LH
www.pulsarlight.com | sales@pulsarlight.com | +44 (0) 1223 403 500

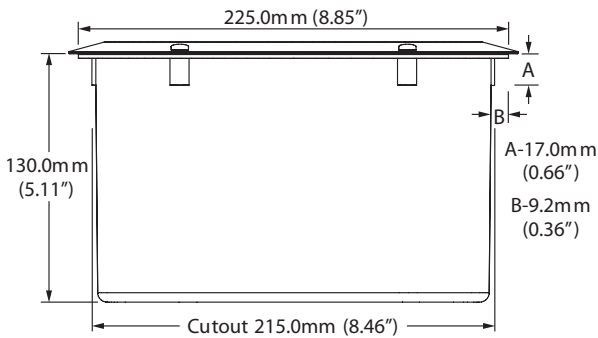
PULSAR CHROMAINGROUND 50 DATASHEET



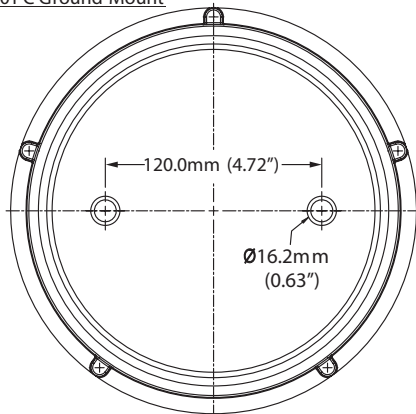
CHROMA INGROUND50



InGround50TC Including Ground Mount



InGround50TC Ground Mount



Mains Stand Alone (MSA) Single Colour models also available (85-277 VAC)

Supplied by:

lightmoves

Melbourne
03 9701 2500

Sydney
02 9737 8988

info@lightmoves.com.au www.lightmoves.com.au

ChromalInGround50 TC Specification

The compact and powerful ChromalInGround50 TC (CIG50TC) features the latest in TriColour LED Technology. The CIG50TC has 15 TriColour devices that each contain 3x1W LEDs, one each of Red, Green and Blue.

TriColour Technology generates the colour mixing inside the fixture. This process eliminates multi-colour shadows.

With an IK rating of 10 the CIG50TC may be walked or driven over. It is also IP66 rated and is fabricated from 316 marine grade brushed stainless steel with a 10mm (0.4") toughened glass front.

The CIG50TC is available in five beam angles. For perfect beam alignment after fitting, it is possible to internally adjust the light source by +/- 10° by removing the front bezel and glass, slackening just one of the three small button head locking screws, adjusting the direction as required then tightening the locking screw and refitting the front bezel and glass.

An optional ground mount can be purchased to facilitate mounting in poured floors and walls. Part number and description shown below.

Light Output: 915 lumens with R,G,B @ 100%.

Power: 1560 mA @ 24V DC. 50 Mains Watts via ChromaZ one.

Weight: 2.2kg (4.85lbs.) - Without cable.

IP Rating: IP66 - See: Use in wet environments page 4.

IK Rating: 10

Beam Angles: 8, 25, 45, 10x35, 10x90 or 90deg (No Lens).

Optics: Toughened glass, lightly frosted.

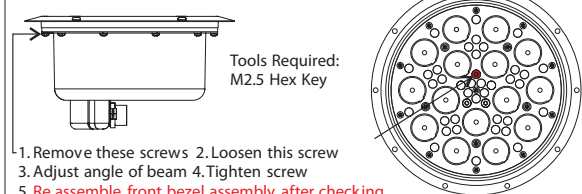
Fixing Detail: 5 x 4.5mm holes are located in the front stainless steel cover/casting for fixing into either the Ground Mount box or when fixing the unit directly into your application.

Connection: 1 x Buccaneer (F), 1 x Wago (F). **Cable not supplied**, use ChromaFlex 8075SUB which is available from Pulsar.

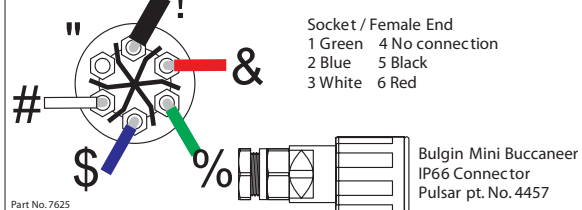
Colour and finish: Brushed stainless steel (316 marine grade) or brushed anodised aluminium bezels. Black polypropylene body.

ChromalInGround50TC

This product has been pressure tested and sealed. Only remove front to adjust lens plate if necessary.



Wiring Mini Buccaneer 6 way IP66 connector.



OPTIONS

Product Code: CIG50-FBT
CIG50MSA-FBT
F - Finish: SS = StainlessSteel, AA = Anodised Aluminium
B - Beam Angle: 8, 25, 45, 90, 10x35, 10x90
Accessories: CIG50GM, Ground Mount Kit



Pulsar Light of Cambridge Ltd

3 Coldhams Business Park, Norman Way, Cambridge CB1 3LH
www.pulsarlight.com | sales@pulsarlight.com | +44 (0) 1223 403 500