

PULSAR CHROMAFLOOD 50 DATASHEET



CHROMAFLOOD 50 TRICOLOUR



CFLD50 WITH OPTIONAL SNOOT



CFLD50 LENS PLATE

50 Watts	24V DC	85-277V MSA version	IP66	2.2 kg 5.7 lbs	+50°C to -20°C	+122°F to -4°F
15 3W LEDs	100,000h Dynamic	25,000h Full On	4 LED Options	Custom Population	6 Lens Options	Lens Plate Array
+10V Input	Smooth Dimming	Flicker Free	Thermal Management	Chroma Zone Driven		
Twin Yoke	Anodised Metalwork	Exterior Powder Paint	3 Paint Finishes	Custom Colours	5m ChromaFlex	16.4' ChromaFlex
UK Made	CE Marked	3 Year Guarantee				

ChromaFlood 50 Series Luminaires

- 50 Watt low voltage powered compact high output LED luminaires designed for architectural and entertainment applications.
- 15 high efficiency 3 Watt LEDs driven by Pulsar's advanced 100% flicker-free electronics for ultra smooth dimming and colour control.
- Choice of 4 LED populations, from single colour to our flagship TriColour RGB colour mixing technology.
- Available in Black, Silver and White paint finishes as standard, with custom colours available to special order.
- Interchangeable optional lens plates for change between 8°, 25°, 45°, 10x35°, 10x90° or 90° (No Lens) beam angles.
- Mains Stand Alone (MSA) single colour models also available (85-277 VAC).



Featured products: ChromaFlood 50



Pulsar Light of Cambridge Ltd

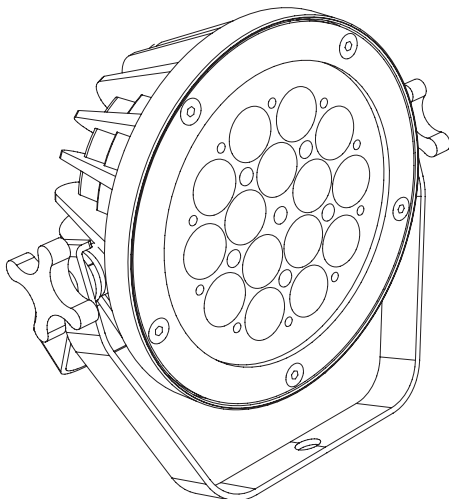
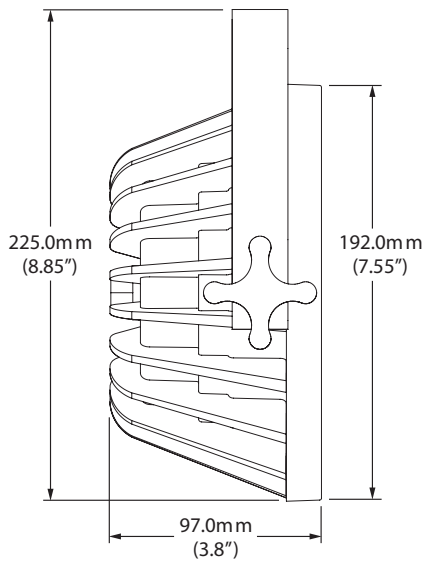
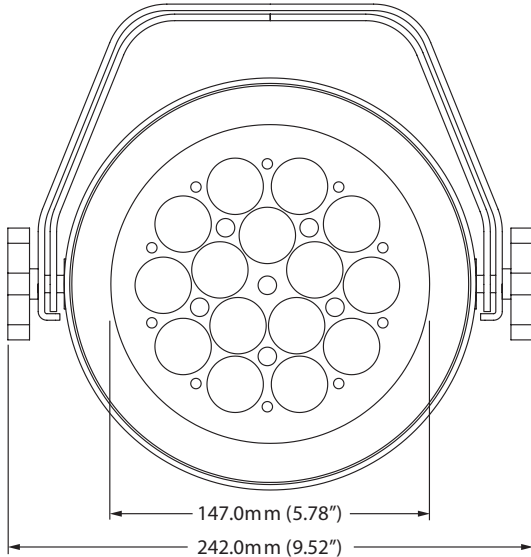
3 Coldhams Business Park, Norman Way, Cambridge CB1 3LH
www.pulsarlight.com | sales@pulsarlight.com | +44 (0) 1223 403 500

CHROMAFLOOD 50 DATASHEET | 1
ISSUE DATE | JUNE 2014

PULSAR CHROMAFLOOD 50 DATASHEET



CHROMA FLOOD50



ChromaFlood50TC Specification

The ChromaFlood50TC (CFLD50TC); ideal as a truss light, a spot for stage use or as an architectural feature fixture.

The compact and powerful CFLD50TC features the latest in TriColour LED Technology. The CFLD50TC is packed with 15 TriColour devices that each contain 3x1W LEDs, one each of Red, Green and Blue.

TriColour Technology generates the colour mixing inside the fixture. This process eliminates multi-colour shadows. When looking into the lenses, your audience sees perfectly mixed colour.

Several different lens options are available for the CFLD50TC. The 12x25 and 10x90 options produce elliptical beam patterns. To allow beam positioning of the elliptical lenses in both the horizontal and vertical planes, two pairs of handle bosses are provided.

Light Output: 915 lumens with R,G,B @ 100%.

Power: 1560 mA @ 24V DC. 50 Mains Watts via ChromaZ one.

Weight: 2.5kg (5.5lbs.).

IP Rating: IP66. Please see: Use in wet environments on page 4.

Beam Angles: 8,25,45,10x35,10x90 or 90deg (No Lens).

Optics: Toughened glass, clear or lightly frosted.

Fixing Detail: 2 x fixing handles are supplied. Each handle has a 13mm hole for fixing to a truss holes as shown. The second handle can be used to produce a free standing unit.

Four safety chain fixing holes are located on the body of the CFLD50.

Connection: 1 x Wago (F), Plus 2 x Wago (1M +1F). 1 x shroud set (Pulsar part -4456) is also fitted.

Colour and finish: All aluminium parts are treated for corrosion resistance, the parts are then coated with a polyester paint. Standard colours are Black, White and Silver.

Custom colours may be available for special order - please contact Pulsar for details.

Mains Stand Alone (MSA) Single Colour and mixed colour models also available (85-277 VAC)

Supplied by:

lightmoves

Melbourne
03 9701 2500

Sydney
02 9737 8988

info@lightmoves.com.au

www.lightmoves.com.au

OPTIONS

Product Code:	CFLD50 T-FB CFLDMSA5 0T-FB
	T - LED Type: TC=TriColour, VW = Variable White, R/G/B/A/CW/MW/WW/UV = Single Colour, Mixed Colours
	F - Body Finish: B = Black, S = Silver, W = White
	B - Beam Angle: 8, 25, 45, 90, 10x35, 10x90
Accessories	Lens Plate, CFLD50- BLP B - Beam Angle: 8, 25, 45, 10x35, 10x90



Pulsar Light of Cambridge Ltd

3 Coldhams Business Park, Norman Way, Cambridge CB1 3LH
www.pulsarlight.com | sales@pulsarlight.com | +44 (0) 1223 403 500

CHROMAFLOOD 50 DATASHEET | 2
ISSUE DATE | JUNE 2014