

PULSAR CHROMABEAM 66 DATASHEET

A high power narrow beam LED fixture with an unlimited colour palette ideal for architectural features, concerts and stage shows. In addition to full manual control of RGB levels, a built-in controller enables the producing of stunning effects from DMX or as a stand-alone unit.



CBEAM66-B5
with architectural yoke

Features

- ③ 18 x 3W Single Colour LEDs.
- ③ Continuous, smooth current through the LEDs giving flicker-free, soothing light.
- ③ 100,000+ hours of LED, component, and driver life.
- ③ Built-in Power Supply and Controller with two Effects Generators allows for remote DMX control or stand-alone use.
- ③ Waterproof to IP66 so suitable for both indoor and outdoor use.

Applications

- ③ Building façades
- ③ Concerts and Television
- ③ Theatre and Stage
- ③ Themed Environments
- ③ Water Features
- ③ Decorative displays
- ③ Creative Installations

Supplied by:

lightmoves

Melbourne
03 9701 2500

Sydney
02 9737 8988

info@lightmoves.com.au

www.lightmoves.com.au



Pulsar Light of Cambridge Ltd

3 Coldhams Business Park, Norman Way, Cambridge CB1 3LH
www.pulsarlight.com | sales@pulsarlight.com | +44 (0) 1223 403 500

CHROMABEAM 66 DATASHEET | 1
ISSUE DATE | JULY 2014

PULSAR CHROMABEAM 66 DATASHEET

TECHNICAL SPECIFICATION

Light Source LEDs	18 x 3W High Power LEDs	Data In/Out	2 x 5-pin XLR (1 x M, 1 x F)
Life	LEDs and all components in our fixtures are chosen and driven to exceed a 100,000 hour design life.	Data Cable	2 x 5m (16.4') captive
Light Output	1578 lm visible spectrum only. The fixture produces no infra-red or ultra-violet light which can heat or fade objects. Total output can be higher for Single Colour or Variable White configurations.	QuickLink	This product can be configured with our combined Power and DMX cables in order to allow for fast installation and daisy chaining up to 48 fixtures on a 240V 16A supply
Beam Angles	5° lens plate	QuickLink Cable	2 x 1m (3') captive
Flicker Free	Continuous current ensures a smooth, flicker-free, soothing light. We will not compromise on this and we do not use Pulse Width Modulation (PWM) which strobos the LEDs at high frequency and can produce an agitating light.	Physical Finish	Black, Silver, or White (special colours available on request).
Colours	256 levels per channel generating ≈16.7M colours with TriColour LEDs, and ≈ 65.5K colours with two-colour or our Variable White configuration.	Mounting	The fixture can be floor, wall or truss mounted using the brackets supplied. Once mounted the fixture can be adjusted to a selected angle.
Control Sequences	The built-in ChromaZone Effects Generator provides a wide range of 6-12 way chases and sequences for strunning lighting effects without complicated programming.	Yokes	Standard double yoke or single architectural bracket customisable to meet specialised or pre-existing mounting points.
Control input	DMX 512 to allow full remote control of intensity levels, or to select effects from the built-in ChromaZone Effects Generator.	Dimensions	295 (W) x 310 (H) x 215mm (D) (11.6 x 12.2 x 8.5")
LCD menu	For quick fixture configuration allowing operation without a separate control system.	Weight	5.5 kg (12.1 lbs)
Electrical Power	85-277 VAC, 66W max, 50-60Hz, self adjusting. Standard cable lengths listed with others available on request.	Pack Dimensions	310 x 310 x 325mm (12.2 x 12.2 x 13.2")
Power Cable	5m (16.4') captive	Pack Weight	6.1 kg (13.4 lbs)
		Operating Conditions	
		Temperature	-20°C to +50°C
		Cooling	The fixture is convection cooled using the metal body as a substantial heatsink. Above a threshold temperature a thermal control system smoothly reduces the power to protect the LEDs and internal electronics from excessive temperatures.
		Environment	Wet conditions up to IP66



PULSAR CHROMABEAM 66 DATASHEET

ChromaBeam 66 Product Options

Product Code CBEAM[SA]66[T]-[F]5[PFM][Y][QL]

SA: Stand Alone [blank] Standard fixture; SA, Full On single colour fixture with no DMX control

T: LED Type [blank], RGB; VW, Variable White; UV, UltraViolet; SC, Single Colour

F: Body Finish B, Black; S, Silver; W, White

PFM: [blank] Standard fixture; PFM, no rear User Interface Module (requires PFMOne to configure and address fixture)

Y: Yoke [blank] Standard double yoke; Y, Architectural single yoke

QL: QuickLink [blank] Standard fixture connections; QL, QuickLink cables

Single Colour Top Hat

Product Code CFLD100RTH-[F]

F: Body Finish B, Black; S, Silver; W, White

Two Colour Top Hat: Black Inner, Custom Outer

Product Code CFLD100RTH-B[F]

F: Body Finish B, Black; S, Silver; W, White

Pulsar Fixture Manager

Product Code: PFMOne

QuickLink Accessories

4485 QL Power+DMX Break In with tails

4485XLR+CEE QL Power+DMX Break In XLR5 & CEE17

4486 QL Power+DMX Connector Sealing Cap

3 YEAR GUARANTEE

Our Commitment to Quality

With over 40 years of innovation, design and manufacturing experience in the United Kingdom, backed by the support of our worldwide network of distributors, Pulsar has a long standing reputation for creating products that stand the test of time and are proven to be solid long term investments for our global customers.

In line with our commitment to the highest levels of customer support, Pulsar is proud to offer a 3 Year Product Guarantee to our customers.

All Pulsar product ranges are automatically covered by the Pulsar Three Year Product Guarantee. This serves to endorse Pulsar's investment in quality, design and manufacturing processes for our ChromaRange LED fixtures and our Lighting Control System products alike.

Pulsar 3 Year Product Guarantee Terms

Pulsar products are guaranteed for three years from the date of original purchase. The guarantee covers defects in manufacturing workmanship and materials. It is limited to parts and labour. The guarantee becomes void if the product is: a) misused, b) not used in accordance with the instructions, c) the cable connections are not made according to our instructions if the unit is used in damp or wet environments, d) repairs are made by unauthorised persons, e) the serial number label has been removed or defaced. Pulsar's maximum liability shall not exceed the price paid for the product. In the unlikely event of a fault occurring, do not use without repair. Return the product, with a description of the fault, to your supplier or direct to Pulsar for immediate attention.



Pulsar Light of Cambridge Ltd

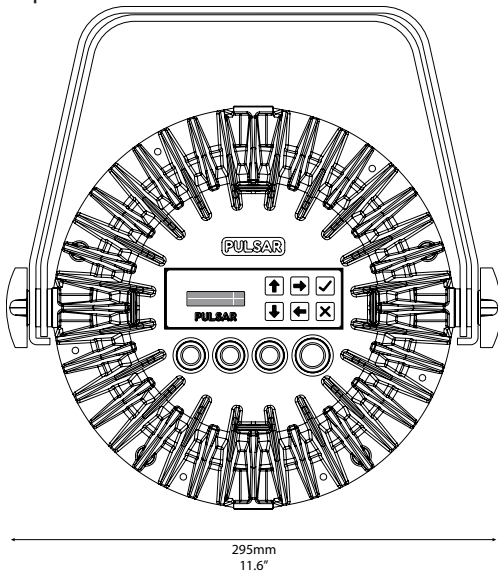
3 Coldhams Business Park, Norman Way, Cambridge CB1 3LH
www.pulsarlight.com | sales@pulsarlight.com | +44 (0) 1223 403 500

CHROMABEAM 66 DATASHEET | 3
ISSUE DATE | JULY 2014

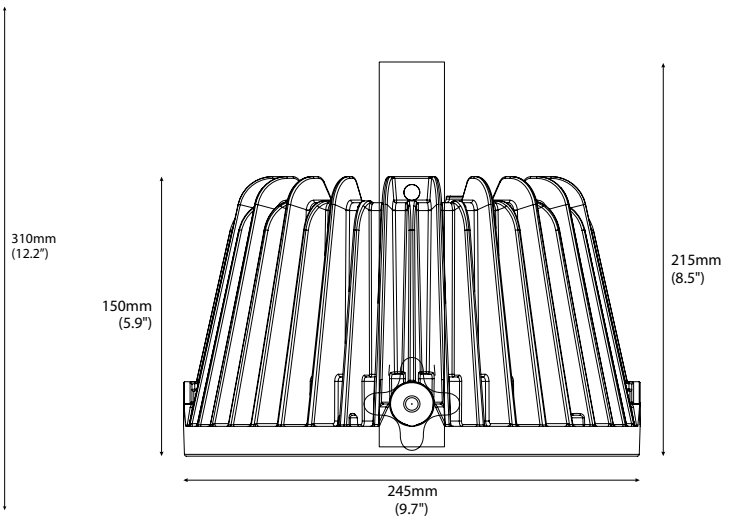
PULSAR CHROMABEAM 66 DATASHEET

PHYSICAL DIMENSIONS

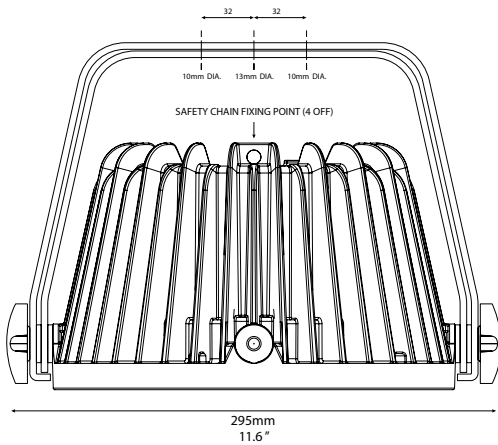
Top View



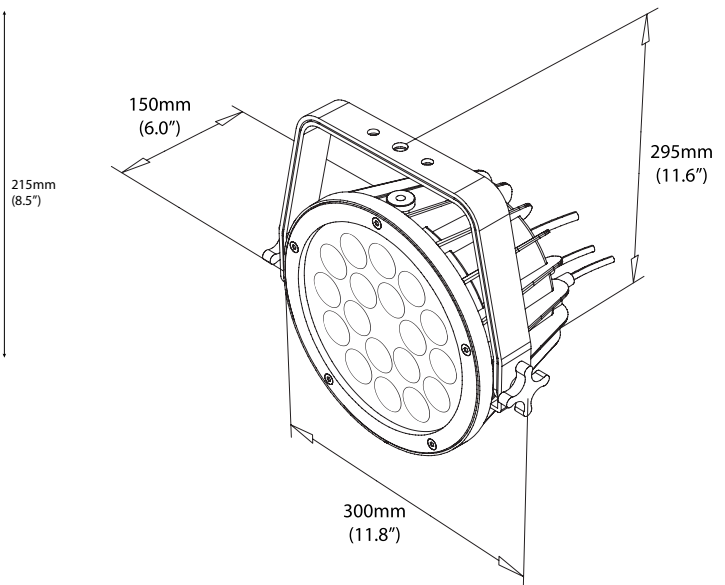
Side View



End View



Lamp Matrix Dimnsions and Perspective View



The Pulsar ChromaBeam 66 complies with the following International and National Standards:

Electrical Safety EN 60065
EMC EN 55022, EN 61000-6-1, EN 61000-6-3

Index of Protection IP66

EEC Directives Marking: 93/69/EEC
EMC: 2004/108/EEC
Low Voltage: 2006/95/EEC



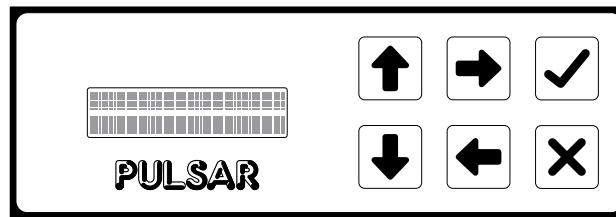
Pulsar Light of Cambridge Ltd

3 Coldhams Business Park, Norman Way, Cambridge CB1 3LH
www.pulsarlight.com | sales@pulsarlight.com | +44 (0) 1223 403 500

CHROMABEAM 66 DATASHEET | 4
ISSUE DATE | JULY 2014

PULSAR CHROMABEAM 66 DATASHEET

CONTROL AND SETUP



Essentials

The Pulsar ChromaBeam 66 is addressed and configured via the 6-key User Interface Module (UIM, illustrated above) on the reverse of the unit or via Pulsar Fixture Management and a Pulsar Fixture Manager One (PFMOne) remote over the DMX line.

Settings can be highlighted using the and arrow keys and selected by pressing . Options can be amended using the arrow keys, saved by pressing , or cancelled by pressing again.

Once set up, ChromaBeam 66 LED levels can be controlled by standard DMX signal from an external source. Alternatively, stand-alone settings can be specified from the UIM or PFMOne, allowing the fixture to operate without connection to an external DMX controller.

The ChromaBeam 66 also features an in-built ChromaZone which can be programmed to sequence the fixture through a wide range of colour changes and chases.

Two internal chases, with different effects and timings, may be run simultaneously to create a composite effect. For example, a rainbow wave could be superimposed on a gradual colour change.

A master dimmer channel (ch. 10) is provided for a fixture in 10 or 46 channel ChromaZone Mode. By default this dims only the 36 ChromaZone channels (ch. 11 - 46) but can be configured to act as a Grand Master for the 3 global RGB channels (ch. 1 - 3) and the global ChromaZone chase intensity channels (ch. 6 and 9).

Multi-Fixture ChromaZone Features

Using the integrated ChromaZone presets, groups of 12 ChromaBeam 66 units can be configured to play chases and sequences in synchrony without any interconnection required between the units.

To achieve a chase that appears to sweep across all of the fixtures, each unit is set with the same chase settings but a different Fixture Number is specified via the UIM/PFMOne. Applying power simultaneously to all the fixtures will then initiate the correct chase sequence timing.

Configurable Settings

The ChromaBeam 66 provides the following menus with their corresponding options:

- DMX Address: 1 - 512
- Channels per Fixture: 1 (SC), 2 (VW), 3 (TC)
- ChromaZone Mode*: 3/6/9/10/42/46 channels
- Fixture Number*: 1 - 12
- Chase patterns*: 6 Way/12 Way
- Channel 10 Grand Master (GM) options*
- Input Smoothing: Smooth/Fast
- Low Voltage Supply: On/Off
- DMX Line Termination: On/Off
- If NoSignal use: Stand Alone Mode/Last DMX packet
- Stand Alone Settings: View/Change
- View/Set Channel Levels
- Restore Factory Default Settings

Chase Options

The following predefined chases are provided:

- Auto chase
- Green yellow red bar graph forward/reverse
- Rainbow strobe
- White/any colour strobe
- White/any colour crossover
- Blue-yellow wave forward/reverse
- Green-magenta wave forward/reverse
- Red-cyan/any colour/opposite colour wave forward/reverse
- Black-white/any colour wave forward/reverse
- Random colours. Chase1 crossfades, chase2 snaps
- Rainbow 2 (wider primary colours) crossfade forward/reverse
- Rainbow crossfade forward/reverse
- Follow3 18 contrasting colours forward/reverse
- 18 crossfading colours forward/reverse
- White/any colour/auto colour cascade forward/reverse
- 6 crossfading pastel colours
- Colour wipes
- 6 crossfading colours
- 6 separate colours
- Red green blue bar graphs forward/reverse
- No chase

*RGB versions only



Pulsar Light of Cambridge Ltd

3 Coldhams Business Park, Norman Way, Cambridge CB1 3LH
www.pulsarlight.com | sales@pulsarlight.com | +44 (0) 1223 403 500

CHROMABEAM 66 DATASHEET | 5
ISSUE DATE | JULY 2014

PULSAR CHROMABEAM 66 DATASHEET

ARCHITECTURAL SPECIFICATION

RGB (RGB) Overview

The product shall be a high power IP66 LED fixture that contains 6 x 3W Red LEDs, 6 x 3W Green LEDs, and 6 x 3W Royal Blue LEDs, calibrated to produce white light and capable of projecting a wash of light in any colour by mixing the level of outputs from the Red, Green, and Royal Blue components

Variable White (VW) Overview

The product shall be a high power IP66 LED fixture that contains 12 x 3W 6000K Cool White LEDs and 6 x 3W Amber LEDs, calibrated to produce white light of a variable colour temperature and capable of projecting a wash of light of any colour temperature by mixing the level of outputs from the Cool White and Amber components.

Single Colour (SC) Overview

The product shall be a high power IP66 LED fixture that contains 18 x 3W Single Colour LEDs, calibrated to produce a single colour and capable of projecting a wash of light of variable intensity by adjusting the level of output from the LED components.

Stand Alone (SA) Overview

The product shall be a high power IP66 LED fixture that contains 18 x 3W Single Colour LEDs, calibrated to produce a single colour and capable of projecting a wash of light of fixed intensity from the LED components.

Light Source

The product shall employ continuous drive electronics using direct current to the LEDs to produce a flicker-free, smooth, soothing light and shall not use PWM (Pulse Width Modulation).

The product shall have an integrated lens plate to obtain a beam angles of 5 degrees and this should also be available as an optional lens plate.

Control

The product shall incorporate two in-built effects generators that may be varied in chase type, pattern and speed.

The product shall allow control from a DMX source to enable the user to access the in-built programs and to change the levels of the output.

The DMX connection shall be made by 2 x 5 metre trailing cables fitted with a 5-pin XLR plug and a 5-pin XLR socket.

The DMX input shall be protected from static and accidental connection to mains voltages, present only 1/20th of a unit load to the DMX line, and have a common mode range >200V.

The DMX start address shall be set by the User Interface Module. Data conditions shall also be displayed via the User Interface Module

Physical

The product shall be supplied with mounting brackets enabling it to be floor, wall or truss mounted, and adjusted to a selected angle.

Electrical

The product shall possess a 66W switched-mode power supply that features automatic voltage selection for the electronics between 85-277 volts AC and between 50-60Hz.

The product shall provide a mains voltage connection via a single 5 metre trailing cable.

Combined Power and DMX Cable Option

The product shall provide mains voltage connection and DMX connection via one 0.75 metre trailing cable fitted with a 8-pin plug and shall be capable of interconnecting with additional LED devices via a second 0.75 metre trailing cable fitted with a 8-pin connector.

Operating Conditions

The product shall be capable of operating in an ambient temperature range of -20°C to 50°C.

The product shall be convection cooled using the body of the product as a substantial heatsink. Above a threshold temperature, a thermal management control system shall smoothly reduce the power to protect the LEDs and the internal electronics from excessive temperatures.

The product enclosure shall be rated with the IP rating of IP66.



PULSAR
CHROMABEAM 66
DATASHEET

NOTES



Pulsar Light of Cambridge Ltd

3 Coldhams Business Park, Norman Way, Cambridge CB1 3LH
www.pulsarlight.com | sales@pulsarlight.com | +44 (0) 1223 403 500

CHROMABEAM 66 DATASHEET | 7
ISSUE DATE | JULY 2014