

# Product Specification Sheet

## Arena Theatre Fresnel



### A 2.0kW / 2.5kW luminaire using a 200mm diameter lens.

The adjustable cone of light has a soft edge, easily blended with adjacent beams to provide even illumination.

The Arena Theatre Fresnel offers superior light output, strength and performance at a moderate cost.

### Features

Wide range of beam angle from 7°-60°.

Flat even beam with very little spill.

Adjustable yoke balance point.

'Swing-down' door for easy access to lamp or cleaning. Isolates the mains supply when opened.

Choice of GY16 lamp socket for CP72/43 2.0kW lamp or G22 lamp socket for CP91, 2.5kW.

Smooth focus movement from 'Posi-slide' focus system, no metal to metal contact.

Effective airflow maintains lower body temperature.

Constructed of pressure die-castings and aluminium extrusion.

### Lamps: 220V-240V

#### GY16 lamp socket / 2000W

CP72	
50,000 lumens	400 hours average life

#### G22 lamp socket / 2500W

CP91	
65,000 lumens	400 hours average life

#### G22 lamp socket / 2000W

CP92	
50,000 lumens	400 hours average life

### Order Codes

**10SF2020GY16**  
Arena Theatre Fresnel 2.0kW  
**10SF2025G22**  
Arena Theatre Fresnel 2.5kW

<b>20BDSF2020</b>	Barndoor
<b>20SM24</b>	Lens safety mesh
<b>20HC</b>	Suspension hookclamp
<b>20SC</b>	Safety bond

### Approvals

Fully tested and compliant to CE standards.

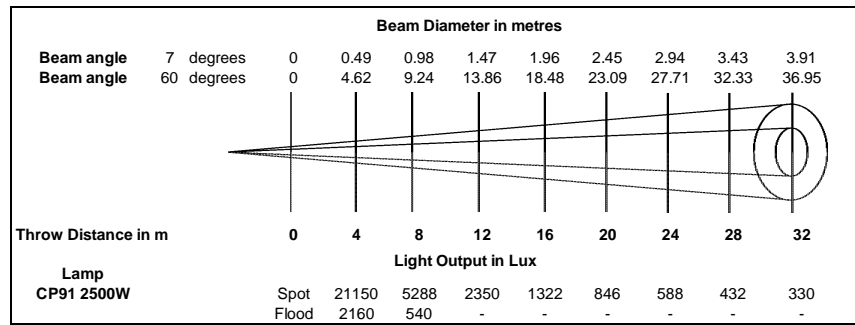
For more information please contact

**lightmoves** (03) 9701 2500  
info@lightmoves.com.au

138-146 Browns Rd, Noble Park VIC 3174

## Photometric Data

Tests conducted using a standard CP91, 2500W, 240V, 65,600 lumens lamp.



## Physical Data

### Weights:

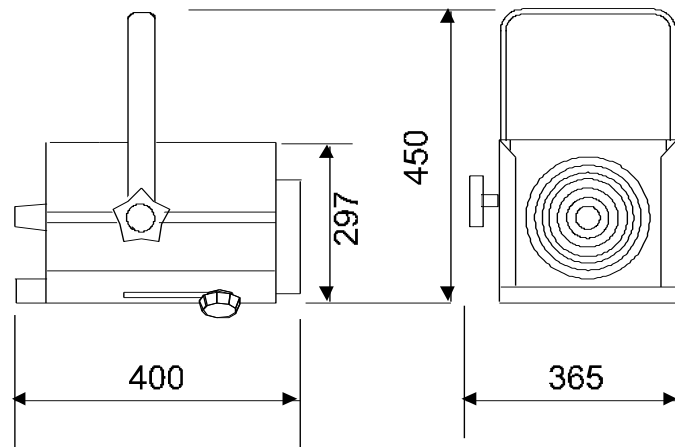
Model	Unit including colour frame	Unit including colour frame - packed
2.0kW	10.04kg	12.17kg
2.5kW	10.30kg	12.42kg

Carton Size: 310 x 375 x 520

Carton Size Cubic: 0.06

Colour Frame Size: 245mm x 245mm

Included: 1x colour frame, 1x M12 nut and bolt set, instruction leaflet.



Philips Selecon reserves the right to change the specifications without notice (October 2011).

For more information please contact

**lightmoves** (03) 9701 2500  
info@lightmoves.com.au

138-146 Browns Rd, Noble Park VIC 3174

**PHILIPS**  
**Selecon**