

Product Specification Sheet

Rama 175 Fresnel 7°- 56°



The Rama High Performance 175 Fresnel (1.0/1.2kW, 175mm lens) provides an adjustable cone of light has a soft edge and is easily blended with adjacent beams to provide even illumination.

The large 175mm lens provides up to 50% more illumination than conventional 150mm Fresnels.

Features

Supprex glass lens produces crisp white light.

Integrated safety bond rated for the fitting; maximum free length = 670mm.

Adjustable yoke balance point.

'Swing-down' door for easy access to lamp or cleaning. Disconnects the mains power supply on opening.

Smooth 'posi-slide' focus system, no metal to metal contact.

Constructed of aluminium extrusion and moulded engineering plastics.

Cooler operation due to use of engineering plastics on front (colour frame mount) and rear of luminaire.

Heat-insulated rear grab-handle which doubles as handy storage for the 1m cable length.

Tilt and focus scales are in real degrees allowing for accurate WSIYWYG implementation.

Lamps: 220V-240V

T/29 1200W	27,600 lumens	400 hrs average life
CP90 1200W	30,000 lumens	200 hrs average life
T/11 T/19 1000W	21,500 lumens	750 hrs average life
CP70 1000W	25,000 lumens	200 hrs average life

Order Codes

16RAFR175
Rama 175 Fresnel - GX9.5 lamp base

16RAFR175G22
Rama 175 Fresnel - G22 lamp base

16RAFR175MY
Rama 175 Fresnel - GX9.5 lamp base for motorised yoke

20BDRA
Rama barndoor

20BDRA8
Rama barndoor – eight leaf

20SM6
Rama lens safety mesh

Approvals

Compliant to CE standards.

Supplied by:

lightmoves

Melbourne
03 9701 2500

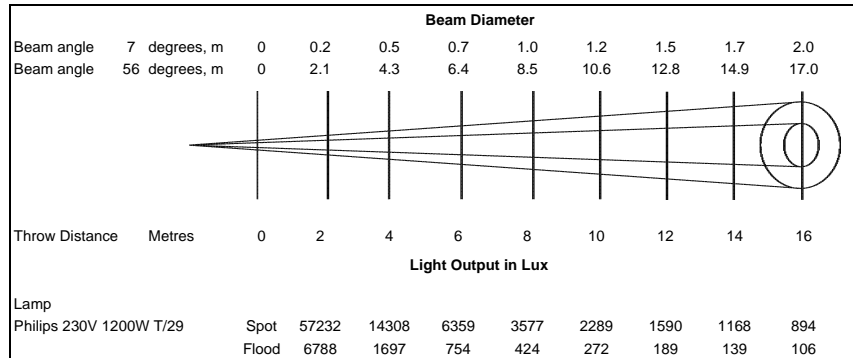
Sydney
02 9737 8988

info@lightmoves.com.au

www.lightmoves.com.au

Photometric Data

Tests conducted using a standard T29, 1200W, 230V lamp.
 Peak candela at 7° - 228,939
 Peak candela at 56° - 27,158



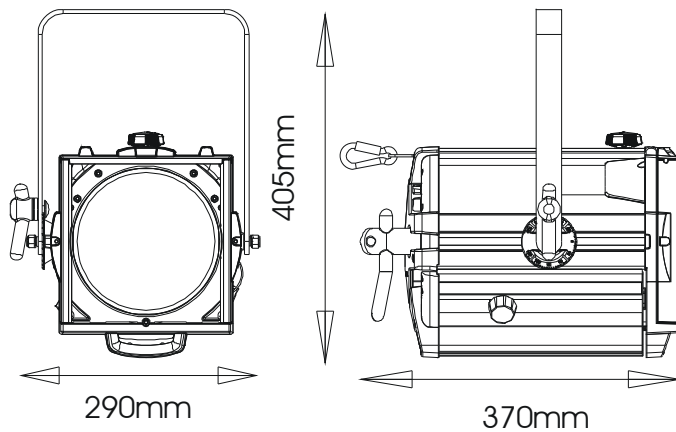
Physical Data

Weight: 5.3kg

Packed weight: 6.2kg

Colour frame size: 186mm x 190mm

Included: 1x colour frame, yoke nut & bolt, lens safety mesh, instruction sheet



Philips Selecon reserves the right to change the specifications without notice (January 2014).