



PLPROFILE1 MKII LED Luminaire

The PLPROFILE1 MKII LED luminaire is a variable beam profile with precise beam control and pattern projection from a high output beam. An innovative combination of LED source technology and precision optical design, the PLPROFILE1 MKII luminaire delivers Philips Selecon’s industry benchmark projection quality in a compact, robust fixture.

A key benefit of the PLPROFILE1 MKII luminaire is that it is no longer necessary to change lamps or color filter. Combining the superior control and light quality of a Philips Selecon Profile with seamless fading between colors allows designers a new level of creativity. Less power consumption and no dimmer circuits makes the PLPROFILE1 MKII luminaire the obvious choice for pattern projection and stage washes.

The PLPROFILE1 MKII also hosts smart cable management with the inclusion of PLICB (PL Interconnect Box). The PLICB mounts to the luminaires yoke, between the C-Clamp and the yoke and swivels independently to allow for the luminaire to move freely through its focus range with no need for a cable service loop. The PLICB allows for all of the luminaires cabling with DMX and PowerCON in and through connections.



PLPROFILE1 MKII LED Luminaire

Features

- Delivers the performance of a 500 Watt profile fixture with a maximum power consumption of 140 Watts
- Available in 18 to 34 or 24 to 44 degree beam angles
- Interchangeable lens tray between medium and wide versions
- Slot provided for iris, M-size pattern holder, or third party effect accessory
- Infinite color choices from the RGBW engine and color temperatures in white
- Homogenized fully mixed color output light, no multiple color shadows
- 50,000 hours of life expectancy
- Quick selection of Warm White, Cool White, and Daylight
- User defined on board presets states available to record your color composition
- Color presets simplifies matching existing light sources
- Constant color balance down to very low light levels irrespective of intensity setting
- DMX512 Input/Output with 8 or 16-bit resolution and a simple 5-channel control
- RDM controls and setup of fixture allows device settings to be configured remotely
- On-board LCD menu is updated for ease of luminaire set up and addressing
- No ultra-violet (wavelengths of less than 400nm) – for UVA, B or C or the Infrared spectrum (wavelengths of more than 775nm)
- Luminaire color: black
- Electronic universal power supply 100-240VAC
- PowerCON In and Through connectors (PLICB)
- cETLus listed, C-Tick, and CE marked (IP20 Rated)

Supplied by:



Melbourne
03 9701 2500

Sydney
02 9737 8988

info@lightmoves.com.au www.lightmoves.com.au

SPECIFICATION SUBMITTAL

CONSULTANT: <input type="text"/>	PROJECT NAME: <input type="text"/>	MODEL NUMBER QUANTITY: <input type="text"/> <input type="text"/> <input type="text"/> <input type="text"/> <input type="text"/> <input type="text"/>
DATE: <input type="text"/>	PROJECT NUMBER: <input type="text"/>	APPROVED BY: <input type="text"/>



PLPROFILE1 MKII LED Luminaire

Advanced Control

The PLPROFILE1 MKII LED luminaire has an on-board LCD menu system for luminaire setup, control, and addressing. The revised menu system is extremely user-friendly, offering all the configuration options within a few button presses, speeding up setup.

Console Control

All PLPROFILE1 MKII luminaires now have added support for Remote Device Management (RDM) and DMX512 control. A choice of 8 or 16 bit control resolution or new, simple, 5-channel control is available. Extended color and color temperature control is provided by either the Strand Lighting NEO or Palette families of control consoles to simplify programming and luminaire color matching.

PLPROFILE1 MKII LED Engine

The PLPROFILE1 MKII luminaire's powerful LED engine offers exceptional performance and life. Under normal operating conditions our LED engine has a life expectancy in excess of 50,000 hours, however under worse case operating conditions with the luminaire set to continuous full output, it is possible that a small percentage of LEDs may require replacement sooner. With the new LED engine, power consumption has been reduced by approximately 7%, while color consistency has been greatly improved, ensuring unit-to-unit matching of colors.



PLPROFILE1 MKII Luminaire Advanced Control

- ① LCD Menu Display
- ② Local controls offer the ability to access preset color temperatures; locally stored custom presets adjust intensity; colors and motorized focus.






Interchangeable lens trays for fast and easy choice of either medium zoom (18-34 degrees) or wide zoom (24-44 degrees) without the use of tools. Lens trays sold separately.



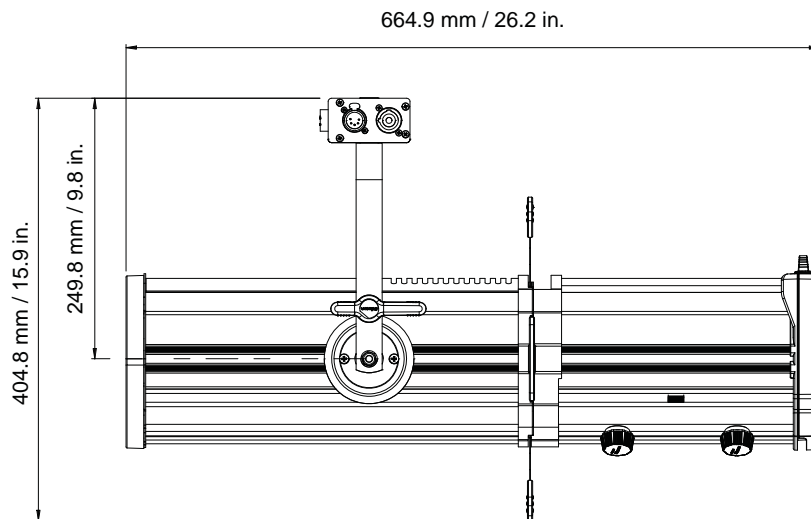
For product photometric information, refer to the photometrics guide for this product on the Strand Lighting web site at www.strandlighting.com in the product downloads section.

Technical Specifications

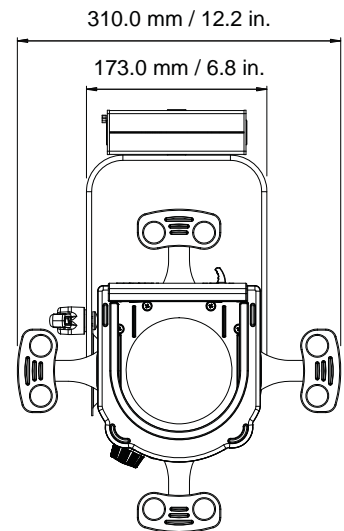
Source Specification		Control Specifications	
Source:	True RGBW 120W LED Engine, using custom designed LED array	Control:	On-Board Menu / DMX512 / RDM DMX512
		DMX512 Channels:	15 Channels (16-Bit Mode) 9 Channels (8-Bit Mode) 5 Channels (5-Channel Mode)
Optical Specifications		Mechanical Specifications	
Output:	> 2000 lumens (Full RGBW white light)	Construction:	Machined aluminum, sheet metal, and molded engineering grade plastic components
CRI:	>80 @ 4000K White LED only	Color:	Black
Beam Angle:	18-34 Degrees or 24-44 Degrees (depends on lens option purchased)	Weight:	17.2 lbs / 8.5 kg (luminaire and topbox)
Electrical Specifications		Shipping Specifications	
Operating Voltages:	100 to 240 Volts AC (auto-ranging)	Packed Size:	12.75" x 13.00" x 32.50" / 323.9 mm x 330.2 mm x 825.5 mm
Frequency:	50/60 Hz	Packed Weight:	22 lbs / 10.0 kg
Current Draw:	1.2 Amps (120V) / 0.6 Amps (240V)		
Power Consumption:			
- Maximum:	140W With all LEDs at full RGBW (100%)		
- Standby Power	5W (unit powered, LEDs off)		
Environmental Specifications		  	
Ambient Temperature:	0° to 40°C (32° to 104°F)		
IP Rating:	IP20 Indoor Use Only		
Conformity:	cETLus Listed, CE, and C-Tick Marked		

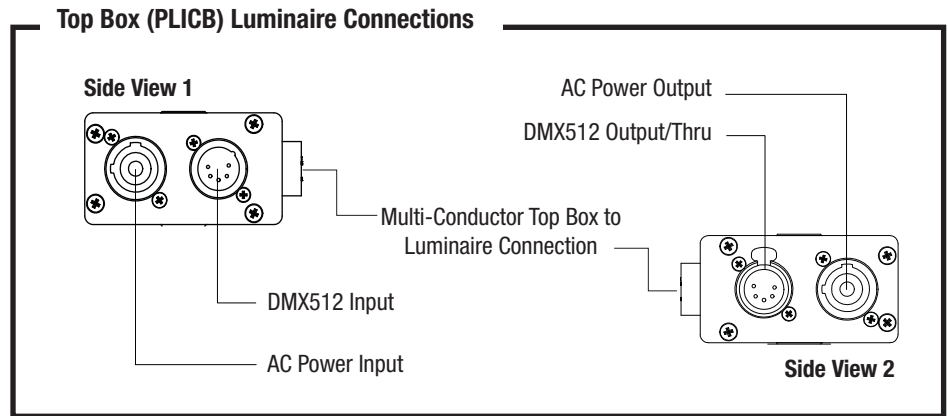
Dimensions

Side View



Front View





Ordering Information

Cat No. Description

PLPROFILE1 MKII LED Luminaires		Accessories - Top Box Assembly	
PLZS1MKII-1834-03 *		PLICB	Spare Top Box (Interconnect) Assembly
PLPROFILE1 MKII LED Luminaire, 18-34 Degree Zoomspot, Black, with Top Box (Interconnect) Assembly, SC C-Clamp, Safety Cable, and AC Input Cable		Accessories - AC Power Input Cables	
PLZS1MKII-2444-03 *		PC1BE	PLPROFILE1 MKII Luminaire AC Power Input Cable (39 inches / 1 meter), PowerCON without AC connector (bare end)
PLPROFILE1 MKII LED Luminaire, 24-44 Degree Zoomspot, Black, with Top Box (Interconnect) Assembly, SC C-Clamp, Safety Cable, and AC Input Cable		PC1GP	PLPROFILE1 MKII Luminaire AC Power Input Cable (39 inches / 1 meter), PowerCON with Stagepin Connector
*This Luminaire utilizes a Neutrik PowerCON Type A blue power inlet and ships with a 39 inch PowerCON power input tail. If a factory-installed AC connector is required, for an additional charge, at time of ordering, specify AC input connector (GR - Edison / GP - Grounded Stagepin / GTL - Twistlock).		PC1GTL	PLPROFILE1 MKII Luminaire AC Power Input Cable (39 inches / 1 meter), PowerCON with Twistlock Connector
		PC1GR	PLPROFILE1 MKII Luminaire AC Power Input Cable (39 inches / 1 meter), PowerCON with Edison Connector
		Accessories - AC Interconnect Cables	
Accessories - Zoomspot Lenses		PC3PC	PLPROFILE1 MKII Luminaire PowerCON Male to PowerCON Female 2.5 Meter Cable for interconnection between units
15ACAX1834LT	Acclaim Axial Zoomspot 18-34 Degrees Lens Tray, Black	Accessories - Luminaire Software Uploader Cable	
15ACAX2444LT	Acclaim Axial Zoomspot 24-44 Degrees Lens Tray, Black	PEGASUS	USB Luminaire Software Programming Kit (for updating luminaire firmware) - includes USB Upload Cable, QuickStart Guide, and Carry Bag
Accessories - Clamps			
SC	Selecon Molded Yoke Rated C-Clamp		
MC	Mega Claw, Black Anodized		

Philips Selecon

Dallas
 10911 Petal Street
 Dallas, TX 75238
 Tel: +1 (214) 647-7880
 Fax: +1 (214) 647-8031

Auckland
 19-21 Kawana Street
 Northcote, Auckland 0627
 New Zealand
 Tel: + 64 9 481 0100
 Fax: + 64 9 481 0101

www.seleconlight.com

© Philips Group 2015
 All rights reserved.
 The Company reserves the right to make any variation in design, construction or descriptions contained herein, of the equipment, at any time without prior notice. E&OE

Asia
 Unit C, 14/F,
 Roxy Industrial Centre
 No. 41-49 Kwai Cheong Road
 Kwai Chung, N.T., Hong Kong
 Tel: +852 2796 9786
 Fax: +852 2798 6545

Europe
 European Service & Distribution Centre
 Rondweg zuid 85
 Winterswijk 7102 JD
 the Netherlands
 Tel: +31 (0) 543-542516

