

Product Specification Sheet

Aureol Recessed BeamShaper



The Aureol Recessed BeamShaper brings the use of projection and control of light in a fully recessed format to the architectural lighting market.

The unit allows the lighting effect to be the feature without the fitting being seen. By utilising the BeamShaper lens body (same as the surface mounted BeamShaper) the recessed unit has the same level of high optical performance and ease of operation as the surface mounted unit.

This makes the use of recessed and surface mounted unit on the same project easy for installation and maintenance as lamp type, projection patterns and focusing adjustment are the same.

Features

Provides lighting effects without visual disruption to architectural spaces, 265mm overall ceiling plate with 130mm x 70mm rounded aperture.

Up to 45° tilt angle projection to wall and 360° rotation.

Beam angle zoom adjustment 26° to 50°.

MR16 12V lamp (20W to 75W), industry standard.

Unique mounting system allows easy angle and rotation for beam aiming with pan and tilt lock.

Tamper and interference resistant for public areas. Recessed unit is less obvious.

Integrated pattern mounting, no loose holder required. E size stainless steel or glass patterns are mounted inside the BeamShaper body.

Four easily adjustable captive shaping shutters for beam shaping.

Two integrated filter mounting slots – to carry colour filter 50mm round or square (square cut is easier and cheaper than round) one of which can be up to 3mm thick.

Option of integrated or remote power supplies (remote 12V transformer provided by installer) or integrated electronic for compactness, ease of installation and efficiency or integrated electronic with on board dimmer. Both options are dimmable by external architectural dimmer.

Supplied with the GE Precise 50W 25° 12V MR16 lamp.

Key Operating Points – optical unit

A: **BeamShaper Lid.** This allows access to the lens compartment for inserting patterns or cleaning the lenses.

B: **Lid Locking Knob.** This locks the BeamShaper lid closed.

C: **Shutters.** Four non-removable shutters are provided to allow you to mask portions of the beam, or to frame around pictures, etc.

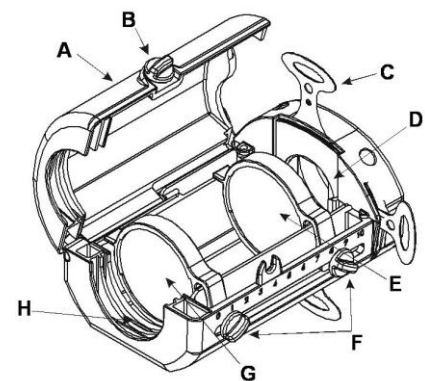
D: **Pattern Slot.** This slot, just forward of the shutter plates, carries either glass patterns, which fit directly into the slot, or steel patterns which are inserted in front of the supplied 'pattern spacer' ring.

E: **Rear Lens.**

F: **Lens Locking Knobs.**

G: **Front Lens.**

H: **Colour filter and accessory slots.**



Order Codes and Weights

Please replace ## with the 2 digit code representing the colour finish required:

01 = white or 03 = black.

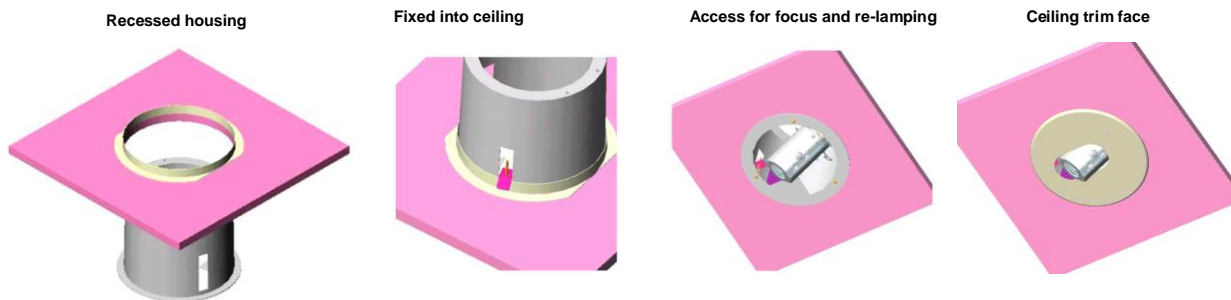
White = PANTONE® 11-4800
Blanc de Blanc.

	Remote Transformer	Electronic Transformer (75W max.)	Electronic Transformer with on-board dimmer (75W max.)
Recessed with ceiling plate	Code:ARLR## 2.31kg	Code:ARLRE## 2.60kg	Code:ARLRED## 2.60kg

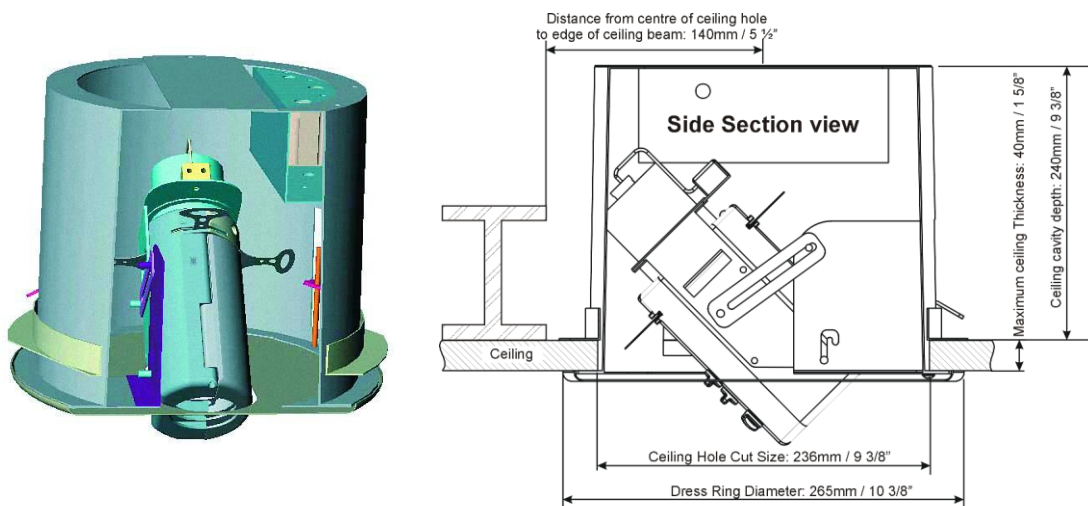
Mounting into Ceiling

The Recessed BeamShaper is mounted into the ceiling via the recessed housing. This allows the "lens tube" Shaper to tilt to 45° for projection of the shuttered beam or image onto a wall.

The housing can be rotated 360° for aiming.



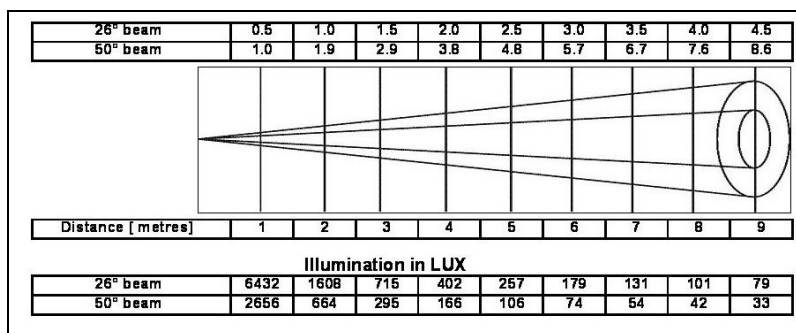
Physical Data



Photometric Data

For best results the unit is shipped with the GE Precise 50W 25° 12V MR16 lamp..

Note: The BeamShaper uses Selecon's custom designed aspheric lens to minimise beam distortion and field curvature resulting in excellent pattern projection for a luminaire of this type. The actual performance is dictated by the lamp used.



Philips Selecon reserves the right to change this product specification without notice (July 2012).

For more information please contact

lightmoves (03) 9701 2500
info@lightmoves.com.au

138-146 Browns Rd, Noble Park VIC 3174