

# Product Specification Sheet

## Arena PC



### A 2.0kW / 2.5kW luminaire using a 200mm PC lens.

The beam has greater clarity with less spill than that of a Fresnel.

The Arena PC offers superior light output, strength and performance.

### Features

Well controlled 'punchy' PC beam with little spill.

Wide range of beam angle from 4.5° to 60°.

Adjustable yoke balance point.

'Swing-down' door for easy access to lamp or cleaning. Isolates the mains supply when opened.

Choice of GY16 lamp socket for CP72, 2.0kW lamp or G22 lamp socket for CP91 2.5kW or CP92, 2.0kW lamp.

Smooth focus movement by 'posi-slide' focus system. No metal to metal contact.

Constructed of pressure die-castings and aluminium extrusion.

Effective airflow maintains lower body temperature.

### Lamps: 220V-240V

#### GY16 lamp socket / 2000W

##### CP72

50,000 lumens 400 hours average life

#### G22 lamp socket / 2500W

##### CP91

65,000 lumens 400 hours average life

#### G22 lamp socket / 2000W

##### CP92

50,000 lumens 400 hours average life

### Order Codes

#### 10SPC20GY16

Arena PC - GY16

#### 10SPC25G22

Arena PC - G22

#### 20BDSF2020

Barndoor

#### 20SM20

Lens safety mesh

#### 20HC

Suspension hookclamp

#### 20SC

Safety bond

### Approvals

Fully tested and compliant to CE standards.

Supplied by:

**lightmoves**

Melbourne  
03 9701 2500

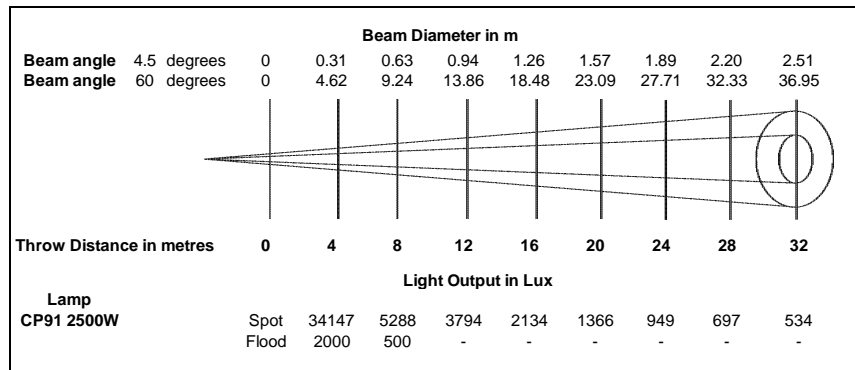
Sydney  
02 9737 8988

info@lightmoves.com.au

www.lightmoves.com.au

## Photometric Data

Tests conducted using a standard CP91, 2500W, 240V, 65,600 lumens lamp.



## Physical Data

**Weight:** 10.2kg

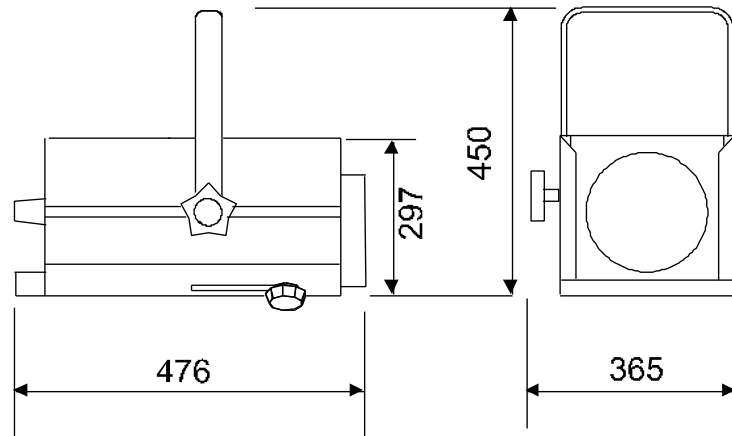
**Packed Weight:** 11.4kg

**Carton Size:** 310 x 375 x 630

**Carton Size Cubic:** 0.073

**Colour Frame Size:** 245mm x 245mm

**Included:** 1x colour frame, 1x M12 nut and bolt set and instruction leaflet.



Philips Selecon reserves the right to change the specifications without notice (October 2011).

**PHILIPS**  
**Selecon**