

## Philips Selecon Accent LED Beamshaper

### **\*\*OPERATION MANUAL\*\***

THIS INFORMATION IS DESIGNED TO PROVIDE YOU WITH THE INFORMATION YOU NEED IMMEDIATELY UPON DELIVERY OF YOUR NEW LUMINAIRE.



If you require further assistance please contact your Philips Selecon dealer. [www.seleconlight.com/distributors](http://www.seleconlight.com/distributors)



Philips Selecon has packaged this product using environmentally friendly packaging. Please consider either reuse of the packaging or dispose of responsibly with your nearest recycling collection agency.

#### IMPORTANT!

Read this manual carefully before attempting to install, operate or maintain the Accent LED Beamshaper. Follow the instructions in this manual. Philips Selecon accepts no responsibility if the customer fails to do so.

For each customer, operating conditions will vary, sometimes greatly. Such variations may affect the luminaire's performance. Philips Selecon has no control over the customer's unique operating environment. Hence, Philips Selecon makes no representations or warranties concerning the luminaire's performance under the customer's actual operating conditions. All operating parameters must be validated for each customer application by the customer's technical experts.

#### *Safety Warnings*



Not for residential use. Maximum ambient temperature 25°C



CAUTION: Hot surfaces - avoid contact by persons or materials. The Accent LED Beam Shaper has some hot surfaces. Be careful to avoid burns. We suggest the use of leather gloves when focusing these luminaires.



SAFETY – Risk of Electric Shock: Always electrically isolate from mains power before cleaning or servicing.



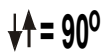
CAUTION: Replace the lenses if they have become visibly damaged to such an extent that their effectiveness has become impaired, for example by cracks or deep scratches.



These fixtures are not suitable for outdoor use. They are rated at IP20.



The fixture should be at least 2.6 feet /0.8 metres away from the nearest object it is lighting.



The Accent range can be operated only through a range of angles 90° either side of horizontal.

Supplied by:

**lightmoves**

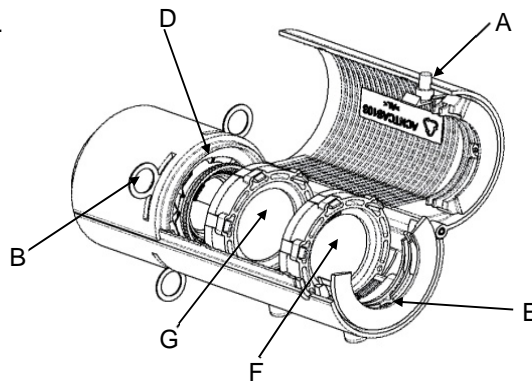
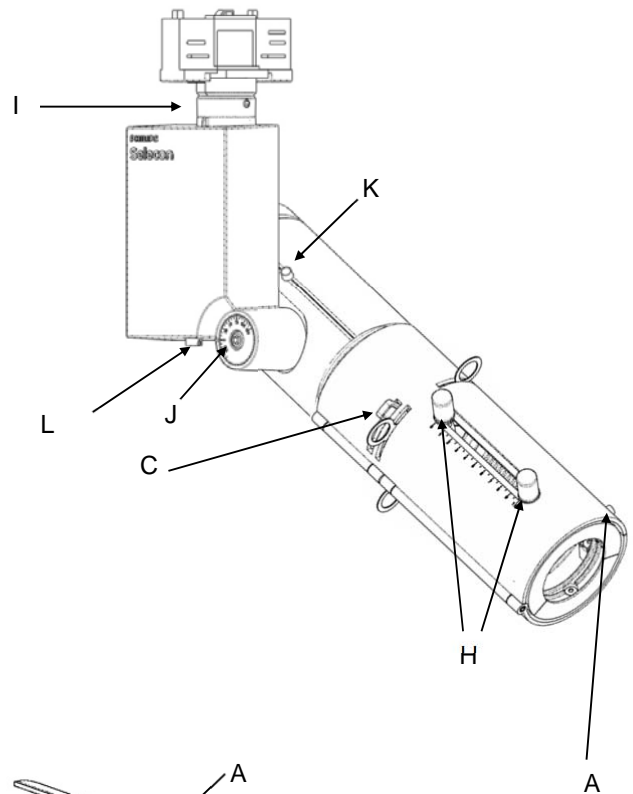
Melbourne  
03 9701 2500

Sydney  
02 9737 8988

[info@lightmoves.com.au](mailto:info@lightmoves.com.au) [www.lightmoves.com.au](http://www.lightmoves.com.au)

## KEY OPERATING POINTS AND FEATURES

- A: Beamshaper lid latch (Open this to insert accessories and to clean the lenses)
- B: Four non removable shutters. (These allow you to mask portions of the beam, or to frame around pictures, etc.)
- C: Shutter lock
- D: Pattern/Gobo holder
- E: Accessory slots - Various glass effects and coloured glass can be used here\*
- F: Front Lens
- G: Rear Lens
- H: Lens focus knobs
- J: Pan lock with reference scale and Allen key lock-off
- J: Tilt lock with reference scale and Allen key lock-off
- K: Rear lid locking clip
- L: Potentiometer shaft for dimming option.



## POWER SUPPLY

110-240VAC Line Frequency 50/60 Hz

Power consumption: 13W      Life: 35,000 hrs (L70)      Power Factor at 100% : >0.95  
 Colour Temperature: (2700K,3000K,4000K) (nominal) CRI: 95 (Typical)  
 Supply Current at 240V: 350mA

## PAN TILT ADJUSTMENT



### **Adjusting the pan angle**

Release the set screw above the ballast box (as shown) and adjust accordingly. Re-lock after adjustment.



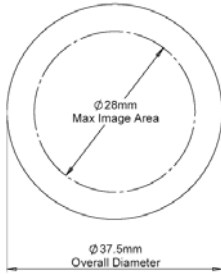
### **Adjusting the tilt angle**

The tilt can be adjusted by unlocking the hex screw located as shown. Re-lock after adjustment. Beamshaper is altered by adjusting lenses, simply loosen the lens

locking knobs and move them into the desired position and then tighten the locking knobs. The front lens defines the beam spread; the rear, the focus degree of softness or sharpness of the beam edge or shutters. Finger tight pressure only is necessary to lock the lens off in its chosen position.

The four shutters can be used to mask off portions of the beam, or to frame areas, etc.

## PATTERN USE



**Pattern size:** E  
**Outside diameter:** 37.5mm  
**Image area:** 28mm diameter

The Accent Beamshaper is supplied with an internal pattern holder. To fit your pattern, remove the internal pattern holder from its magnetic mounting plate. Unclip the locking plate and insert the pattern with correct orientation. Re-clip the locking plate and place the pattern holder back on the magnetic mounting plate.

For custom gobos please ensure the Design is inside the 28mmØ area



## SAFETY AND MAINTENANCE

Keep your Philips Selecon Accent LED Beamshaper in top condition and performing at its best by cleaning it regularly with a soft cloth. The Beamshaper lenses should only be cleaned with optical tissue paper.

The above is the only maintenance task that can be safely carried out by non approved personnel.

Philips Selecon has manufactured this luminaire in accordance with recognised best practices to recommended international safety standards. It is your responsibility to maintain this luminaire in good and safe working condition.

Repairs should only be carried out by suitably qualified persons. Do not operate the luminaire with damaged lamps or cable, etc. Consult your Philips Selecon distributor for assistance. Only replace damaged parts with authorised Philips Selecon Accent spare parts. **N.B.** Luminaire electrical cable – your Accent LED Beamspot is fitted with special heat resistant flexible cable, replace with genuine Accent spare part cable kit only – please refer to your Selecon distributor.

(Replacement cable kits are supplied complete with necessary terminal connectors).

## ELECTRICAL INSTALLATION

### **WARNING!!!**

Risk of fire and electric shock. This product is to be installed by a qualified electrician only. This luminaire employs a grounded type receptacle and is not intended for connection to a two-wire, ungrounded source of supply.

When installing this luminaire use wire conductor colour codes as follows:

- Brown** - Phase, Live
- Blue** - Neutral, Return
- Green/Yellow** - Earth

## DIMMING

### **Local Dimming Version**

Accent LED Beamshaper models with local dimming **CANNOT** be installed and run on a dimmed power supply/track.

If your Accent LED Beamshaper model includes a local dimmer, ensure that the dimming knob on the Accent power supply is at its "Full" position (completely clockwise) to test fitting.

### **DALI Version**

Accent LED Beamshaper Dali models with no local dimmer can be installed and run on a DALI track system.

Mounting options include track adaptors, ceiling mount plate, suspension half coupler. For full details contact your Philips Selecon dealer: [www.seleconlight.com/distributors](http://www.seleconlight.com/distributors)

## **LIMITED WARRANTY**

**Philips Selecon warrants its fixtures against defects in materials or workmanship. The term of this warranty is based on the product usage and is from the date of delivery.**

## **Usage: Architectural, Display Term - Three Years**

Architectural, Display relates to typical usage such as display lighting in a Museum viz:  
10 – 12 hrs per day, seven days per week.

This warranty is void in any of the following circumstances: (a) The fixture has been misused, neglected, damaged or abused. (b) The fixture has been improperly installed, operated, repaired or maintained. (c) The fixture has been modified. (d) The fixture has been connected to other equipment with which it is not compatible. (e) The fixture has been used or stored in conditions outside its electrical or environmental specifications. (f) The fixture has been used for purposes other than for which it was designed. (g) The fixture has been used outside its stated specifications and operating parameters.

Correct installation of the luminaire is the owner's responsibility.

To assert a warranty claim, complete the Philips Selecon Return Authorisation Form (available from Philips Selecon). Return the luminaire to Philips Selecon or its authorised agent.

If Philips Selecon accepts the warranty claim, Philips Selecon will provide, or arrange for, service, repair or replacement as Philips Selecon shall determine in its sole discretion. Philips Selecon shall bear the cost of such service, repair or replacement. However, the owner shall bear the cost of freight and insurance on the luminaire, both ways. If Philips Selecon does not wish to service, repair or replace the defective luminaire, it shall refund the purchase price.

Philips Selecon's sole responsibility is to repair, replace or service a luminaire subject to a valid warranty claim. Under no circumstance will Philips Selecon be liable for direct, indirect, incidental, special or consequential costs or damages, including dismantling and re-installation costs, loss of operations or profits, to the maximum extent permitted by law.

Philips Selecon accepts no liability for personal injury or property damage resulting from failure to heed relevant operating and safety procedures specified by Philips Selecon or imposed by law.

This is an express warranty. Philips Selecon disclaims any other express or implied warranties, including warranties of merchantability or fitness for purpose, to the maximum extent permitted by law.

Some jurisdictions do not allow limitations or disclaimers of implied or statutory warranties. Some jurisdictions do not allow disclaimers or exclusions of consequential or incidental damages. Therefore, the above disclaimers, limitations and exclusions may not apply in all jurisdictions in which Philips Selecon sells its luminaires.

This warranty gives the owner specific legal rights. The owner may have other rights or remedies pursuant to the laws in its territory. Nothing in this limited warranty should be construed as limiting or restricting any other statutory right or remedy of the owner, except for such limitations or restrictions herein as may be allowed by the law of the territory.

Philips Selecon has a policy of continual product improvement and specifications are subject to change without notice.

<b>Manufacturer</b>
---------------------

Philips Selecon, 19-21 Kawana Street, Northcote, Auckland 0627, New Zealand  
Ph: + 64 9 481 0100, Fax: + 64 9 481 0101  
[www.seleconlight.com](http://www.seleconlight.com)