

# Product Specification Sheet

## Accent BeamSpot



**The Philips Selecon Accent Beamspot provides a high quality replacement for the Aureol Beamspot luminaire.**

The Accent Beamspot incorporates many of the award winning features of the SDP, in a compact familiar form.

With several accessories available, including an improved beam shaper accessory, the Accent retains the versatility that made the Aureol Beamspot a global industry standard for display lighting applications.

The Accent Beamspot delivers on Philips Selecon's brand promise for performance (efficient optical system; high quality pattern projections); precision (accurate beam shaping; locking focus adjustments) and simplicity (intuitive operation).

Allen key lock offs and reference scales for all adjustments offers the means to effectively assure the integrity of the original lighting design.

### Features

Hinged opening body for easy re-lamping and accessory mounting.

Superior glare control and no light spill.

Multiple accessory slots with safety retention system.

Engineered from aluminium pressure die castings and injected moulded engineering plastic.

Positive pan and tilt adjustment, with allen key lock off.

Reference scales for pan/tilt adjustments.

Integrated accessory and filter mounting slots – to carry colour filter 50mm round, one of which can be up to 4mm thick, diffuser or honeycomb grill as well as anti glare snoot, barn-door or BeamShaper lens tube.

Three year limited warranty.

### Colours



**Black**

**White**

White - PANTONE® 11-4800 - Blanc de Blanc.

### Choice of Light Sources (Lamp not supplied)

- 20-50W MR16 Tungsten Halogen or \*LED lamp
- 20W CDM-Rm GX10 lamp
- 35W CDM-Rm GX10 lamp
- 50W CDM-Rm GX10 lamp

\*Philips MASTERLED MR16 lamps recommended.

Dimming performance of LED MR16 lamps can vary greatly on different dimming systems. 100% compatibility cannot be guaranteed.

Refer to manufacturers' specifications for LED lamp dimmer loading calculations.

### Mounting Options

Universal track three circuit track adapter.

Ceiling mount plate, ridged 80mm diameter x 20mm deep.

Half coupler for 48/51mm OD pipe with 1.0m cable tail.



Ceiling rose mount



Track adapter



Half Coupler

### Approvals

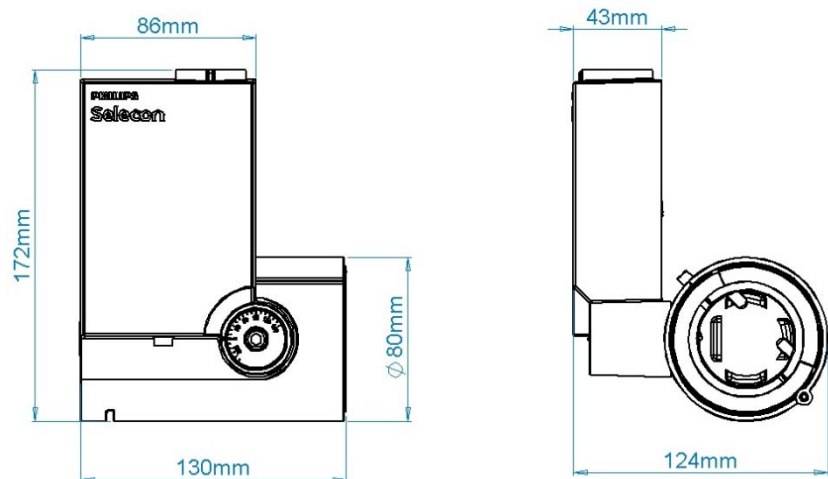


---

## Physical Data

---

Weight: 1.1kg



## Order Codes

<b>ACNTTHLEDMAINDC**</b>	Accent Beamspot for 12V MR16 lamp (not included). Max 50W. Mains dimming only. Ceiling Base mounted.
<b>ACNTTHLEDMAINDHC**P</b>	Accent Beamspot for 12V MR16 lamp (not included). Max 50W. Mains dimming only. Fitted with half coupler accessory, safety bond, 1.0m cable and ANZ plug.
<b>ACNTTHLEDMAINDT**</b>	Accent Beamspot for 12V MR16 lamp (not included). Max 50W. Mains dimming only. Fitted with 3 circuit universal track mount adaptor.
<b>ACNTTHLEDLODC**</b>	Accent Beamspot for 12V MR16 lamp (not included). Max 50W. Local dimming only. Ceiling Base mounted.
<b>ACNTTHLEDLODHC**P</b>	Accent Beamspot for 12V MR16 lamp (not included). Max 50W. Local dimming only. Fitted with half coupler accessory, safety bond, 1.0m cable and ANZ plug.
<b>ACNTTHLEDLOCDT**</b>	Accent Beamspot for 12V MR16 lamp (not included). Max 50W. Local dimming only. Fitted with 3 circuit universal track mount adaptor.
<b>ACNTTHLEDDALIEUT**</b>	Accent Beamspot for 12V MR16 lamp (not included). Max 50W. DALI control. Fitted with DALI 3 circuit universal track mount adaptor.
<b>ACNTMH20C**</b>	Accent Beamspot for 20W CDM-Rm GX10 MR16 lamp (not included). Ceiling Base mounted.
<b>ACNTMH20DALIC**</b>	Accent Beamspot for 20W CDM-Rm GX10 MR16 lamp (not included). DALI control. Ceiling Base mounted.
<b>ACNTMH20DALIEUT**</b>	Accent Beamspot for 20W CDM-Rm GX10 MR16 lamp (not included). DALI control. Fitted with 3 circuit universal track mount adaptor.
<b>ACNTMH20HC**P</b>	Accent Beamspot for 20W CDM-Rm GX10 MR16 lamp (not included). Fitted with half coupler accessory, safety bond, 1.0m cable and ANZ plug.
<b>ACNTMH20T**</b>	Accent Beamspot for 20W CDM-Rm GX10 MR16 lamp (not included). Fitted with 3 circuit universal track mount adaptor.
<b>ACNTMH35C**</b>	Accent Beamspot for 35W CDM-Rm GX10 MR16 lamp (not included). Ceiling Base mounted.
<b>ACNTMH35DALIC**</b>	Accent Beamspot for 35W CDM-Rm GX10 MR16 lamp (not included). DALI control. Ceiling Base mounted.
<b>ACNTMH35DALIEUT**</b>	Accent Beamspot for 35W CDM-Rm GX10 MR16 lamp (not included). DALI control. Fitted with 3 circuit universal track mount adaptor.

For more information please contact

**lightmoves** (03) 9701 2500  
info@lightmoves.com.au

138-146 Browns Rd, Noble Park VIC 3174

<b>ACNTMH35HC**P</b>	Accent Beamspot for 35W CDM-Rm GX10 MR16 lamp (not included). Fitted with half coupler accessory, safety bond, 1.0m cable and ANZ plug.
<b>ACNTMH35T**</b>	Accent Beamspot for 35W CDM-Rm GX10 MR16 lamp (not included). Fitted with 3 circuit universal track mount adaptor.
<b>ACNTMH50C**</b>	Accent Beamspot for 50W CDM-Rm GX10 MR16 lamp (not included). Ceiling Base mounted.
<b>ACNTMH50DALICxx</b>	Accent Beamspot for 50W CDM-Rm GX10 MR16 lamp (not included). DALI control. Ceiling Base mounted.
<b>ACNTMH50DALIEUT**</b>	Accent Beamspot for 50W CDM-Rm GX10 MR16 lamp (not included). DALI control. Fitted with 3 circuit universal track mount adaptor.
<b>ACNTMH50HC**P</b>	Accent Beamspot for 50W CDM-Rm GX10 MR16 lamp (not included). Fitted with half coupler accessory, safety bond, 1.0m cable and ANZ plug.
<b>ACNTMH50T**</b>	Accent Beamspot for 50W CDM-Rm GX10 MR16 lamp (not included). Fitted with 3 circuit universal track mount adaptor.

\*\*01 for White, 03 for Black

---

## Accessories

---

<b>Barndoor</b>	ARLBD****	
<b>Snoot</b>	ARLSN****	****01 for White, 03 for Black, 0103 for Black/White
<b>Beamshaper</b>	ACNTLEDBS** ACNTMH20BS** ACNTMH35BS** ACNTMH50BS** ACNTTHBS**	supplied with Philips 7W 3000K MASTERLED lamp supplied with 20W CDM lamp supplied with 35W CDM lamp supplied with 50W CDM lamp supplied with GE 50W EXZ lamp
		**01 for White, 03 for Black

Various coloured glasses and effects glass available.

Please contact your Philips Selecon dealer for full details: [www.seleconlight.com/distributors](http://www.seleconlight.com/distributors)

Philips Selecon reserves the right to change this product specification without notice (December 2013).

For more information please contact

**lightmoves** (03) 9701 2500  
info@lightmoves.com.au

138-146 Browns Rd, Noble Park VIC 3174

**PHILIPS**  
**Selecon**