

# DUS90AHB-DALI

Multifunction Sensor

## Aisleway high bay DALI network sensor

The Philips Dynalite DUS90AHB-DALI is a 90 degree multifunction sensor that combines motion detection (PIR) and ambient light level detection (PE) in one device. The sensor uses the DALI protocol for power and communications to a network control system, eliminating the need for additional network field wiring. This sensor is ideal for mounting between warehouse shelving.

Supplied by:

The logo for Lightmoves, featuring the word "lightmoves" in white with a colorful circular icon above the "o", and the tagline "illuminating ideas" below it.

Melbourne Sydney  
03 9701 2500 02 9737 8988  
info@lightmoves.com.au  
www.lightmoves.com.au

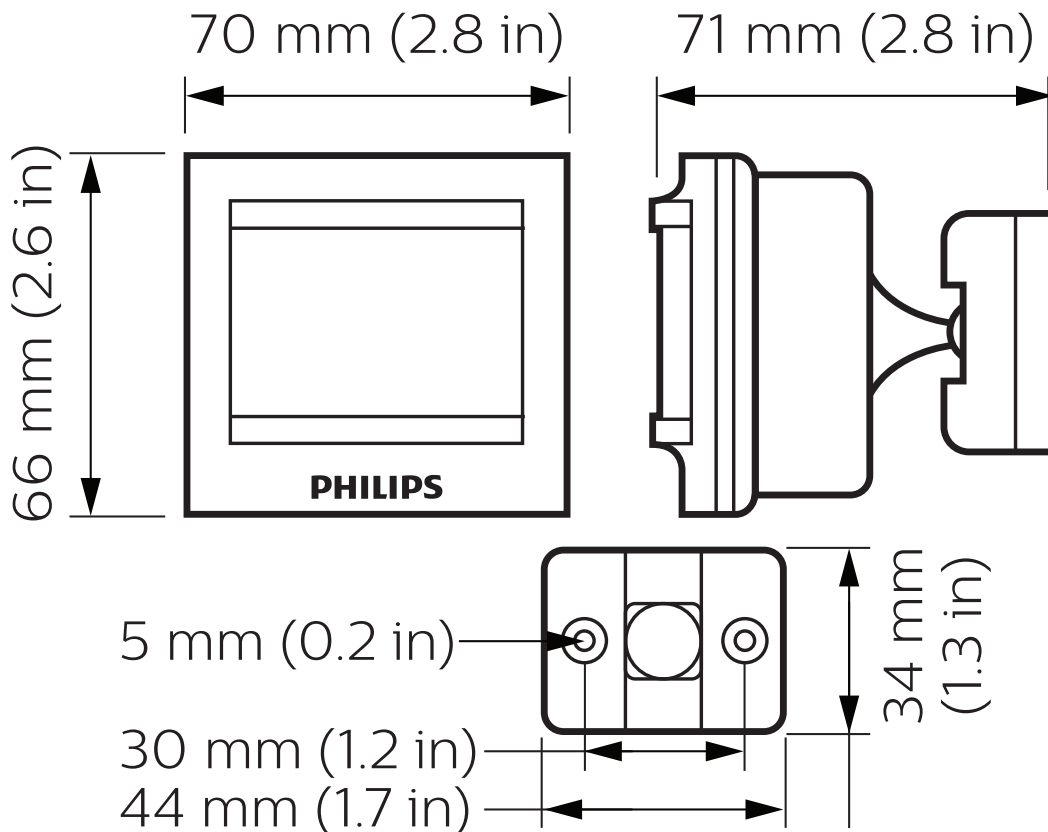
# DUS90AHB-DALI

## Aisleway high bay DALI network sensor

- **MultiMaster compatible** – Fully compatible with a Philips Dynalite DALI MultiMaster controller, such as the DDBC120-DALI.
- **Motion detection feature** – Detects the presence or absence of motion and triggers a programmed action.
- **Ambient light level detection** – In applications where it is critical to maintain precise lighting levels, the PE function reads ambient levels and adjusts artificial light accordingly.
- **Daylight harvesting** – When used in conjunction with networked open loop daylight sensor.
- **Infrared receive capability** – Enables sign-in identification to the networked system.
- **Corridor hold** – Links corridor areas with adjacent rooms so corridor remains lit while occupancy is detected in adjacent rooms.
- **Targeted positioning** – Directional wallmounting block allows sensors to be easily mounted and directed to the required area.

---

## Dimensions



# Specifications

Due to continuous improvements and innovations, specifications may change without notice.



**DUS90AHB-DALI**  
Multifunction Sensor

## Electrical

Supply Type	DALI / ELV
Supply Voltage	9.5-22.5 VDC
Supply Current	9 mA (up to 10 user interfaces on one DALI universe)
DALI Insulation	Basic
IEC Overvoltage Category	III

## Motion Detection (PIR)

Sensor	Dual element pyroelectric
Maximum Detection Range	15 m (49 ft)*
Scan Beam Angle	90°
Detection Area	See next page

## Light Detection (PE)

Lux Range	5-10,000 lux
-----------	--------------

## Control

Serial Ports	1 x DALI
User Input	Infrared (RC5 IR remote control) 1 x service switch
Indicators	1 x red motion LED

## Physical

Dimensions (H x W x D)	66 x 70 x 71 mm (2.60 x 2.76 x 2.80 in)
Packed Weight	0.116 kg (0.26 lb)
Construction	Polycarbonate plastic enclosure
Color	White (RAL9010)
Serial Ports	1 x 2-way screw terminal
Screw Terminal Conductor Size**	0.75 mm <sup>2</sup> (#18 AWG) (max)

## Environment

Operating Temperature	-5° to 50°C ambient (23° to 122°F)
Storage/Transport Temperature	-25° to 70°C ambient (-13° to 158°F)
Humidity	0 to 90% non-condensing
IP Rating	IP40 (When installed as per manufacturer instructions)
IEC Pollution Degree	II

## Compliance

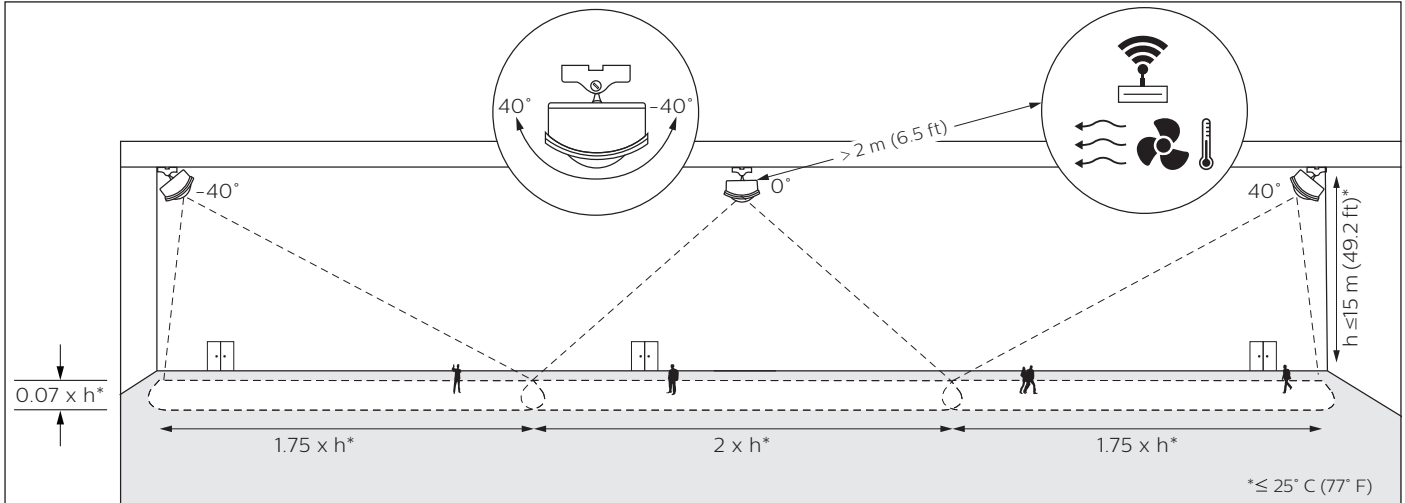
Certification	CE, RCM, RoHS
---------------	---------------

\* Typical detection range at ≤ 25°C (77°F). Range is reduced at higher temperatures.

\*\* Fly lead included.



## Detection Area



## Ordering Code

### Product

DUS90AHB-DALI

### Philips 12NC

913703015409

### Accessories

IRT9090/01 (commissioning & testing RC5 IR remote control)

913700359103

IRT9010/00 (user-friendly RC5 IR remote control)

913700392403

