

PHILIPS

dynalite 

Sensors



DUS360CR-DA

Multifunction Sensor

Low profile recessed 360° ceiling sensor

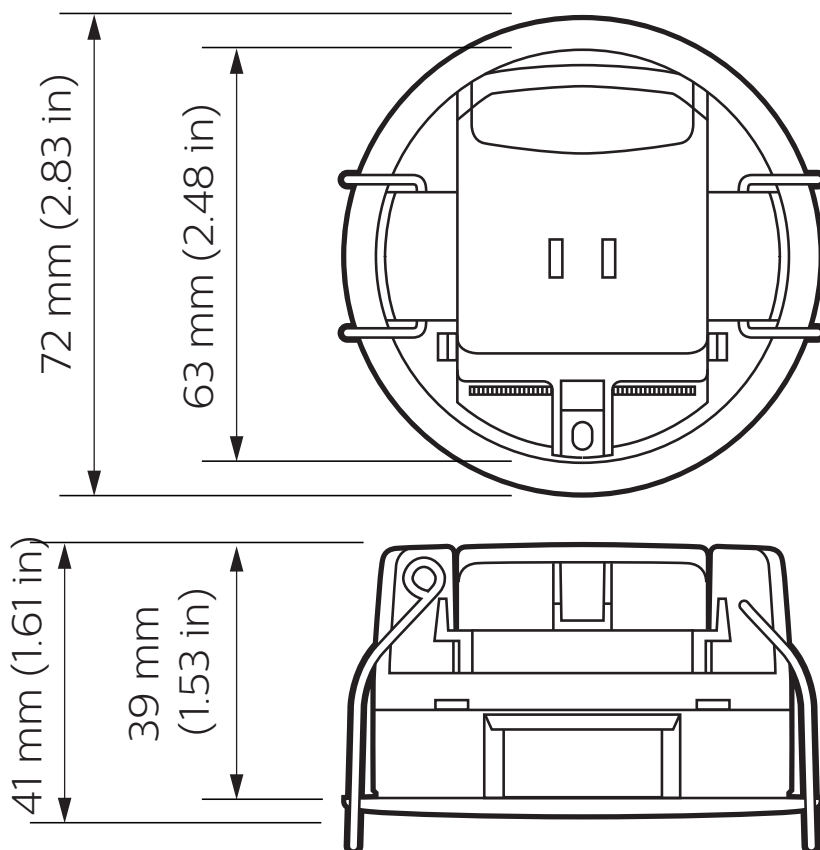
The Philips Dynalite DUS360CR-DA is a recess mountable 360 degree motion sensor that combines motion detection (PIR), infrared remote control reception (IR) and ambient light level detection (PE) into the one device. The Philips Dynalite DUS360CR-DA is a component of the EcoSet system and is a switch-settable sensor with time-out, designed to allow intelligent control of luminaires in combination with the DMRC210DA-RJ12 relay controller.

DUS360CR-DA

Low profile recessed 360° ceiling sensor

- **Motion detection feature** – Detects the presence or absence of motion and adjusts lights accordingly.
- **Segmented click-up bezel** – Surrounds the motion sensor element and enables a portion of the sensing field to be masked. This prevents nuisance detection from adjacent doorways or corridors.
- **No software set-up** – All functionality can be achieved with the built-in DIP switches for area addressing, no-motion time-out and other advanced features.
- **Rapid configuration** – Up to 31 individual addressing areas of control.
- **User-selectable options** – No-motion time-out selectable to 30 seconds, 5 minutes, 15 minutes or 30 minutes.
- **Corridor hold** – Links corridor areas with adjacent rooms so corridor remains lit while occupancy is detected in adjacent rooms.
- **Suitable for plenum use** – UL approved for installation in air-handling plenum spaces.

Dimensions



Specifications

Due to continuous improvements and innovations, specifications may change without notice.



DUS360CR-DA
Multifunction Sensor

Electrical

Supply Type	DyNet
Supply Voltage	12/24 VDC
Supply Current	20 mA (max)
IEC Overvoltage Category	III

Motion Detection (PIR)

Sensor	Quad element pyroelectric
Maximum Detection Range	5 m (16.4 ft)*
Detection Area	See next page

Light Detection (PE)

Lux Range	5-5000 lux
-----------	------------

Control

Serial Ports	1 x RS-485
Supported Protocols	DyNet
User Input	Infrared (RC5 IR remote control) 1 x service switch Configuration DIP switches
Indicators	1 x red motion LED

Physical

Dimensions (H x W)	41 x 72 mm (1.61 x 2.83 in)
Packed Weight	0.105 kg (0.23 lb)
Construction	Polycarbonate plastic enclosure
Color	Off-white
Serial Ports	1 x 5-way screw terminal +V, D-, D+, GND, SHLD
Screw Terminal Conductor Size	2.5 mm ² (#12 AWG) (max)
Mounting Substrate Thickness	3-25 mm (0.12-0.98 in)

Environment

Operating Temperature	0° to 45°C ambient (32° to 113°F)
Storage/Transport Temperature	-25° to 70°C ambient (-13° to 158°F)
Humidity	0 to 90% non-condensing
IEC Pollution Degree	II

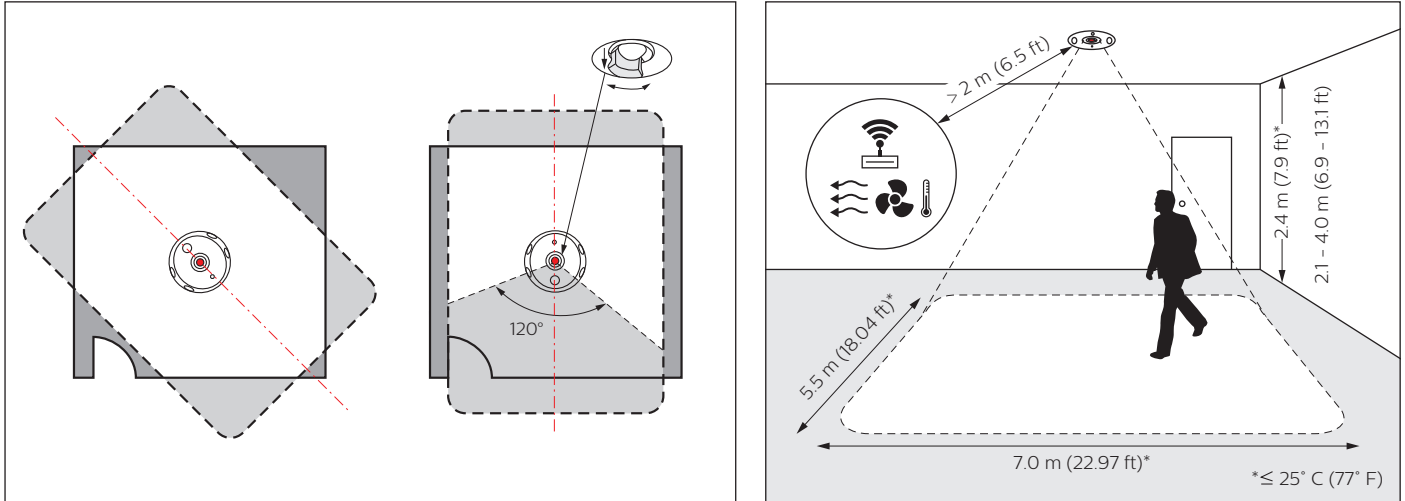
Compliance

Certification	CE, RCM, UL/cUL, FCC, ICES, RoHS
---------------	----------------------------------

* Typical detection range at $\leq 25^{\circ}\text{C}$ (77°F). Range is reduced at higher temperatures.



Detection Area



Ordering Code

Product	Philips 12NC
DUS360CR-DA	913703500809
Accessories	Philips 12NC
DINGUS-DUS-RJ12-DUAL (dual RJ12 connector)	913703064309
DINGUS-DUS-RJ45-DUAL (dual RJ45 connector)	913703064409
IRT9090/01 (commissioning & testing RC5 IR remote control)	913700359103
IRT9010/00 (user-friendly RC5 IR remote control)	913700392403

