

The DPMI940 is a four way dry contact interface designed to allow mechanical switches and relays to interface to the DyNet network. The function of each input is programmable and the small size of the product combined with the inputs being presented on flyleads makes it perfect for installation behind multi-gang switch grids. In addition to use as a simple dry contact interface, the DPMI940 has a “motion detector” mode that turns a third-party motion detector into a fully featured DyNet sensor. The flylead that connects to the motion relay and tamper switch also has a 0V and +12VDC pair for powering the motion detector from the DyNet network power supply. The small size of the DPMI940 allows it to be fitted completely inside many brands of motion detectors.

technical data >>>



DPMI940

**Supply**

12V at 20mA, from the DyNet network

**Control IO**

1 x RS485 DyNet serial port

**Inputs**

4 x dry contact inputs

**Dry Contact Flyleads**

+12V, GND, GND, SW1, SW2, SW3, SW4; all presented on a 2mm pitch x 160mm long ribbon cable

**Serial Port Terminals**

SHIELD, GND, D+, D-, +15V  
1 x 2mm<sup>2</sup> max conductor size

**Diagnostic Functions**

Device Online/Offline status

**Compliance**

CE, C-Tick

**Operating Environment**

0° to 50°C ambient temperature  
0% to 95% RH non condensing

**Construction**

Bare circuit board with heatshrink cover

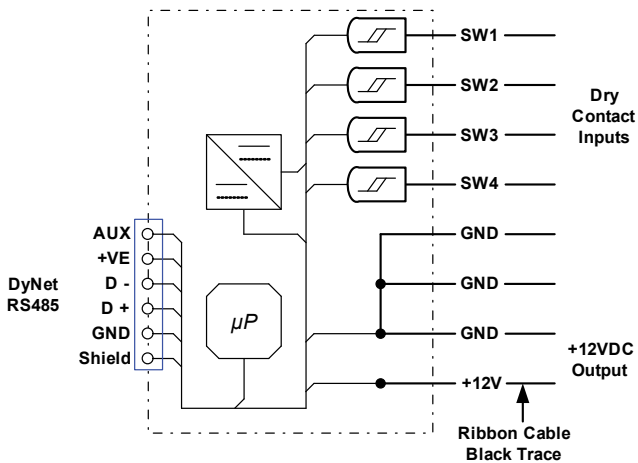
**Dimensions**

H 19mm x W 40mm x D 19mm

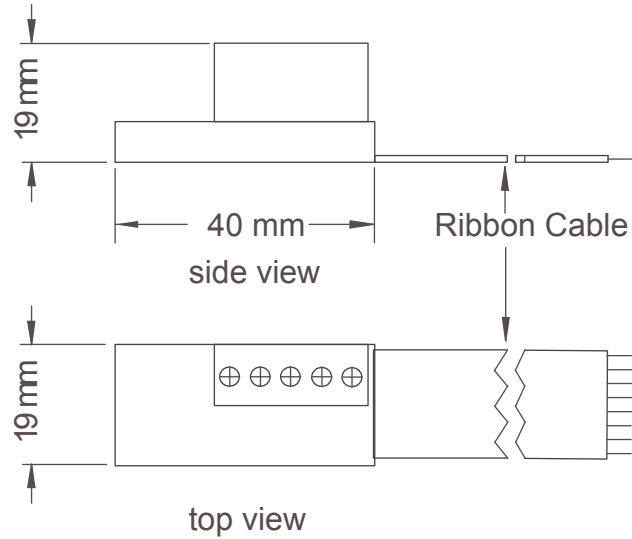
**Weight**

Packed weight 15.5 grams

electrical diagram >>>



mounting dimensions >>>



For further information contact:

