



# DNG485

RS-485/DMX512 Gateway

## Wall mount flexible network communications gateway

The Philips Dynalite DNG485 is a flexible network communications bridge designed for RS-485 networks. The two opto-isolated RS-485 ports enable the DNG485 to implement a trunk and spur topology on large project sites, with the bridge providing a high-speed backbone opto-coupled to many lower speed spurs.

Supplied by:

The Lightmoves logo, featuring the word 'lightmoves' in a white, lowercase, sans-serif font with a colorful rainbow arc above the 'o'. Below the logo is the tagline 'illuminating ideas'. The contact information is presented in white text on a dark blue background, including phone numbers for Melbourne (03 9701 2500) and Sydney (02 9737 8988), and email (info@lightmoves.com.au) and website (www.lightmoves.com.au) addresses.

**lightmoves**  
illuminating ideas

Melbourne Sydney  
03 9701 2500 02 9737 8988

info@lightmoves.com.au  
www.lightmoves.com.au

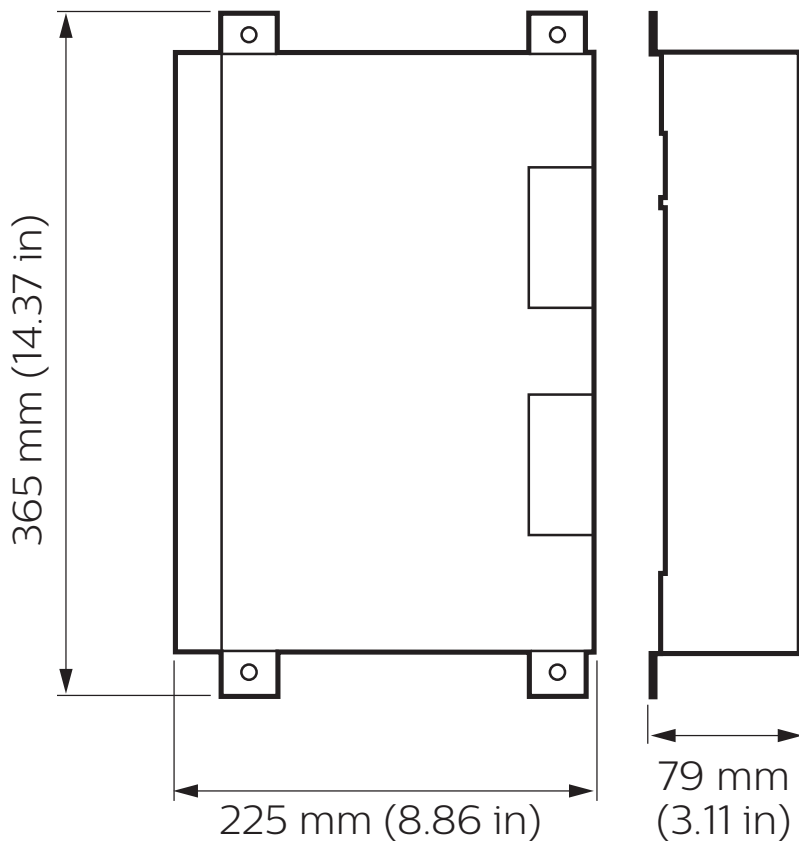
# DNG485

## Wall mount flexible network communications gateway

- **Increased network security** – Definition of packet filtering rules for each direction provides augmented security and robustness.
- **Route DyNet to third-party systems** – Such as audio-visual, Somfy blind controllers, Modbus meters and building automation systems, providing an integrated approach to total building control and energy management.
- **DMX512 mode** – Transmit or receive up to 64 channels of DMX512, with automatic DyNet conversion and task triggering.
- **Electrical fault isolation** – Faults can be isolated to individual network spurs.
- **Internal controls** – Programmable logic controller capable of comprehensive conditional and sequential logic and arithmetic function processing, packet filtering and DyNet to DyNet 2 translation.

---

## Dimensions



# Specifications

Due to continuous improvements and innovations, specifications may change without notice.



**DNG485**  
RS-485/DMX512 Gateway

## Electrical

Supply Type	Single-phase
Supply Voltage	240 VAC
Supply Current	100 mA
Serial Port Isolation	Optical (3.75 kV RMS)
DyNet DC Output Voltage	12 VDC
DyNet DC Output Current	Port 1: 450 mA Port 2: 180 mA
IEC Overvoltage Category	III

## Control

Communication Ports	2 x RS-485
Supported Protocols	DyNet DyNet2 DMX
DMX Tx Channels	64
DMX Rx Channels	64
Dry Contact Inputs	1 (AUX)
User Controls	1 x service switch
Indicators	1 x service LED
Diagnostic Functions	Device online/offline status

## Physical

Dimensions (H x W x D)	320 x 225 x 79 mm (12.60 x 8.86 x 3.11 in)
Packed Weight	3.10 kg (6.83 lb)
Construction	Alloy/Steel wall mount case Epoxy finish
Communication Ports	1 x RJ12 11 x screw terminal
Communication Terminal Conductor Size	2.5 mm <sup>2</sup> (#12 AWG) (max)
Supply Terminals	2 x screw terminal
Supply Terminal Conductor Size	4 mm <sup>2</sup> (#11 AWG) (max)
Earth Bar	7 x screw terminal

## Environment

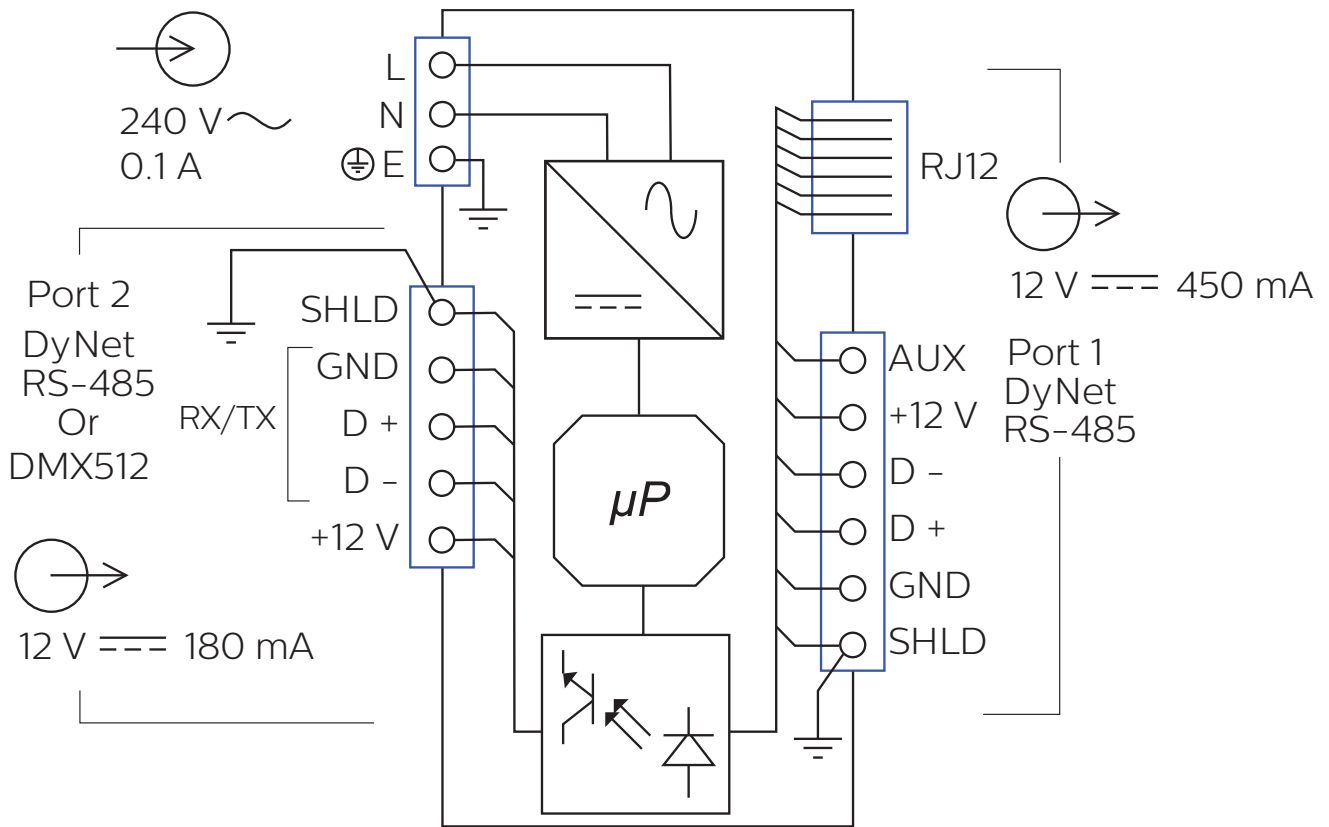
Operating Temperature	-0° to 50°C ambient (32° to 122°F)
Storage/Transport Temperature	-25° to 70°C ambient (-13° to 158°F)
Humidity	0 to 95% non-condensing
IEC Pollution Degree	III

## Compliance

Certification	CE, RCM, RoHS
---------------	---------------



# Electrical



## Ordering Code

**Product**

DNG485

**Philips 12NC**

913703082209

