



# DMNG232

RS-232 Network Gateway

## Cost-effective serial port integration

The Philips Dynalite DMG232 network gateway provides cost-effective serial port integration between a DyNet network and third-party systems.

Supplied by:

The logo for Lightmoves, featuring the word "lightmoves" in white with a colorful circular graphic behind the "o", and the tagline "illuminating ideas" below it. The contact information is listed in white text on a dark blue background.

**Melbourne**      **Sydney**  
03 9701 2500      02 9737 8988  
info@lightmoves.com.au  
www.lightmoves.com.au

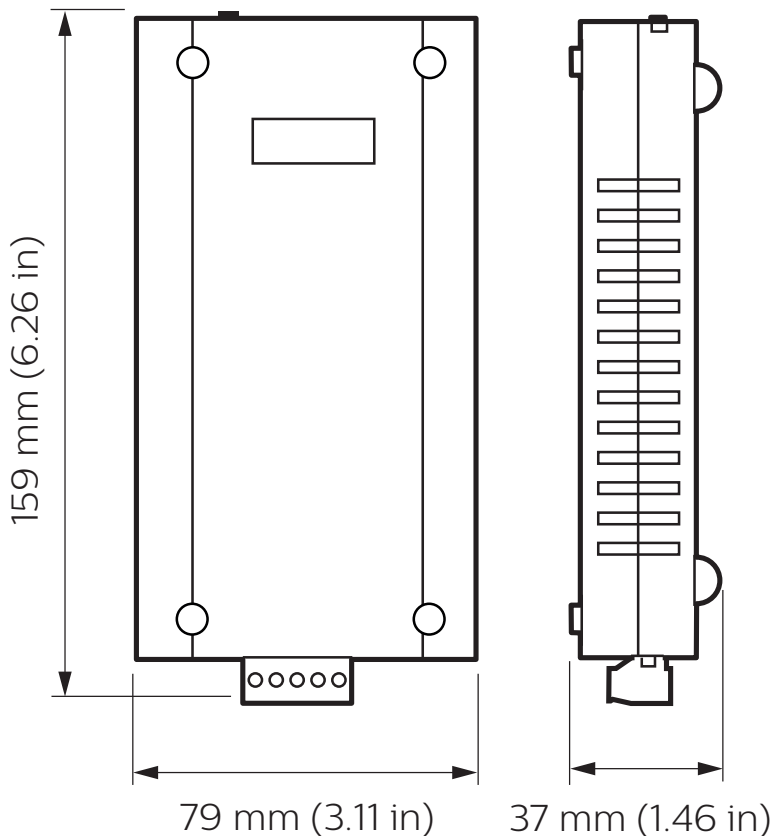
# DMNG232

## Cost-effective serial port integration

- **Seamless integration with third-party systems** – Including AV systems, lighting desks, data projectors, HVAC, BMS and security systems.
- **Internal controls** – Programmable logic controller capable of comprehensive conditional and sequential logic and arithmetic function processing.
- **Predefined data format library or create your own** – A library of data formats is available for systems integrators, or can be created using the onboard conditional logic engine to assemble and transmit user-defined data strings.
- **Macro functions available** – To simplify the control of multiple devices.
- **Powered from the DyNet network** – Requires no mains voltage supply.

---

## Dimensions



# Specifications

Due to continuous improvements and innovations, specifications may change without notice.



**DMNG232**  
RS-232 Network Gateway

## Electrical

Supply Type	DyNet
Supply Voltage	12 VDC
Supply Current	50 mA
IEC Overvoltage Category	III

## Control

Communication Ports	1 x RS-485 1 x RS-232
Supported Protocols	DyNet
RS-232 Port Modes	DTE, DCE (jumper-selectable)
User Controls	1 x service switch
Indicators	1 x service LED
Diagnostic Functions	Device online/offline status

## RS-232 Data Formats

Baud Rate	600 - 250,000
Maximum Packet Length	254 bytes
Data Bits	7/8
Stop Bits	1/2
Parity	Odd/even/none
Flow Control	None/RTS-CTS

## Physical

Dimensions (H x W x D)	37 x 79 x 149 mm (1.46 x 3.11 x 5.87 in)
Packed Weight	0.15 kg (0.33 lb)
Construction	ABS plastic
Communication Ports	1 x DB-9 (female) 1 x RJ12 1 x 5-way pluggable screw terminal
Communication Terminal Conductor Size	2.5 mm <sup>2</sup> (#12 AWG) (max)

## Environment

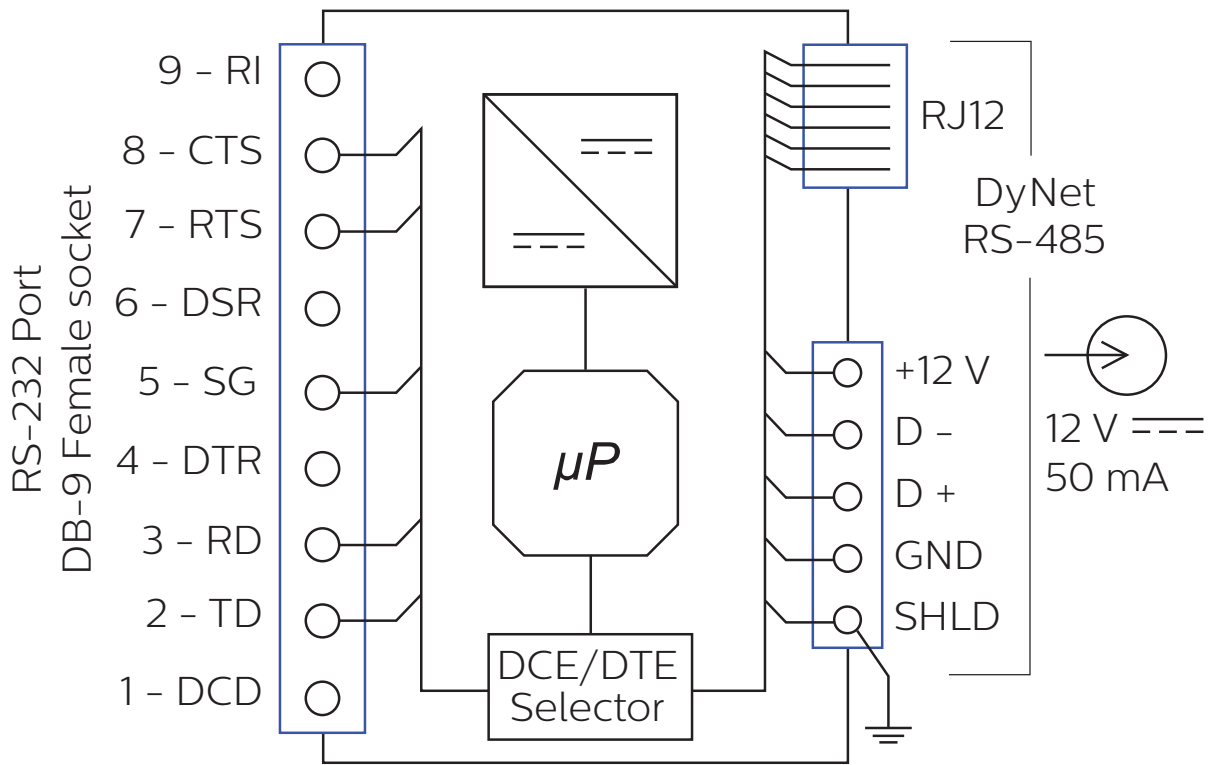
Operating Temperature	-0° to 50°C ambient (32° to 122°F)
Storage/Transport Temperature	-25° to 70°C ambient (-13° to 158°F)
Humidity	0 to 90% non-condensing
IEC Pollution Degree	III

## Compliance

Certification	CE, RCM, RoHS
---------------	---------------



## Electrical



## Ordering Code

**Product**  
DMNG232

**Philips 12NC**  
913703080309

