

DLE220

Leading Edge Dimmer Controller

Designed for applications where lamp life is critical

The Philips Dynalite DLE220 is a two-channel leading edge dimmer controller, with a maximum load of 20 A per channel. It is suitable for use with incandescent, neon and selected fluorescent light sources, as well as iron core and leading edge dimmable electronic transformers.

Supplied by:

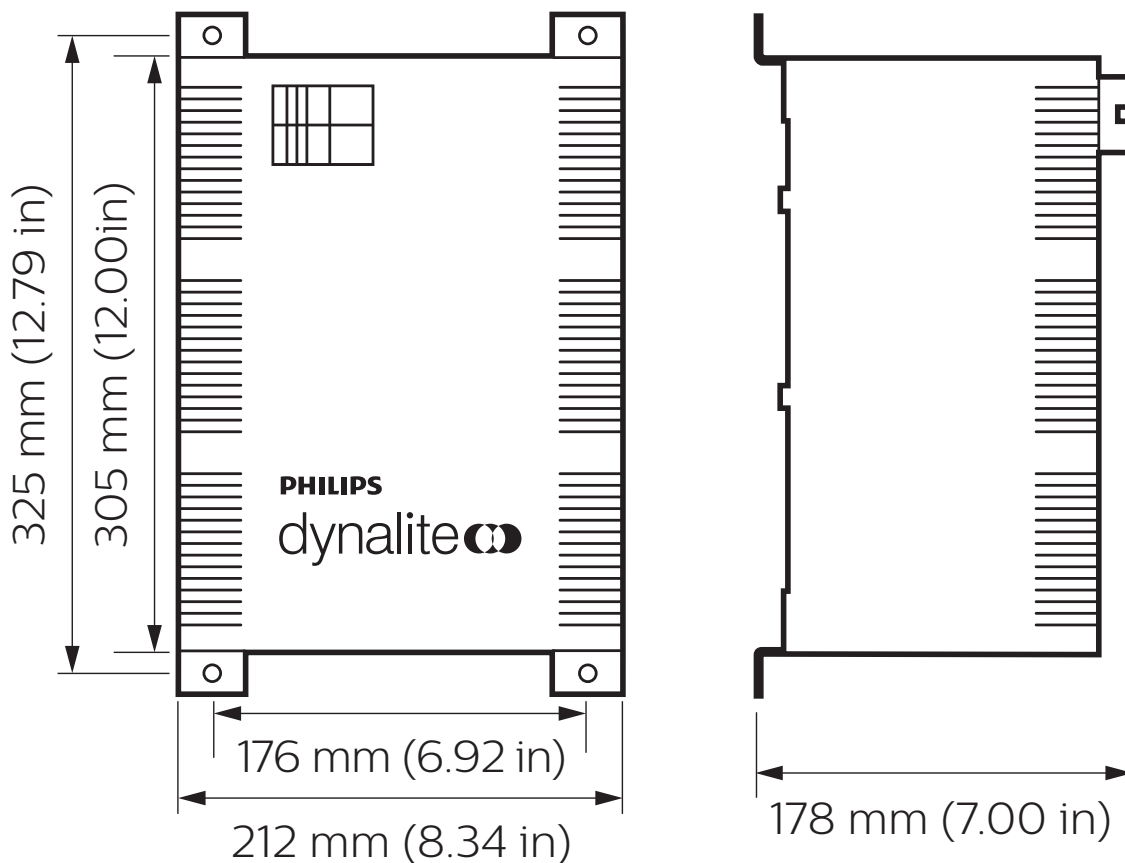
The Lightmoves logo features the word 'lightmoves' in white with a rainbow-colored dot over the 'o', and the tagline 'illuminating ideas' below it. Contact information for Melbourne (03 9701 2500) and Sydney (02 9737 8988) is provided, along with the email 'info@lightmoves.com.au' and website 'www.lightmoves.com.au'.

DLE220

Designed for applications where lamp life is critical

- **Large load capability** – Complements multichannel dimmers by providing extra channels where additional capacity is required.
- **Reliable control** – Suitable for applications where lamp life is critical, such as where lamp replacement is difficult or expensive.
- **Interference suppression** – Iron powder core toroidal choke lessens effects of interference from other equipment, such as transformers.
- **Naturally ventilated** – Requires no forced cooling or maintenance.
- **Soft start and voltage regulation technologies** – Protects lamps from over voltage and dramatically improves lamp life, reducing maintenance costs.
- **Diagnostic functionality** – Device Online/ Offline status reporting.
- **User controls** – Incorporates service override switch – all channels to 100% and a diagnostic LED.
- **Option Available** – Additional DyNet/DMX512 port.

Dimensions



Specifications

Due to continuous improvements and innovations, specifications may change without notice.



DLE220
Leading Edge Dimmer Controller

Electrical

Supply Type	Single-phase
Supply Voltage	230 VAC (±14%)
Supply Current	40 A
Backup CPU Supply	12 VDC @ 1 A (SELV / Class 2)
Outputs	2 x Leading edge dimming
Output Channel Current	20 A
DyNet DC Output Voltage	12 VDC
DyNet DC Output Current	200 mA
Power Conditioning	Regulated outputs Overvoltage protection Surge protection Brownout / Sag protection Spike protection Soft start 16 bit fade resolution (65,536 steps)
Electrical Protection	2 x 20 A circuit breakers (single-pole thermal magnetic, 6 kA surge)
Regulating Device	2 x SCR (65 A nom., 800 V, 800 A surge)
Interference Suppression	Iron powder toroidal choke
Rise Time	200 µS
IEC Overvoltage Category	III

Control

Serial Ports	1 x RS485
Supported Protocols	DyNet DMX Rx
DMX Rx Channels	2
Dry Contact Inputs	1 (AUX)
Diagnostic Functions	Device online/offline status
User Controls	1 x service switch 2 x output channel override
Indicators	1 x service LED

Physical

Dimensions (H x W x D)	325 x 212 x 178 mm (12.79 x 8.35 x 7.01 in)
Packed Weight	4.2 kg (9.26 lb)
Construction	Alloy/steel wall mount case Epoxy finish
Mains Cable Entry	3 x Ø 25 mm knockout
Data Cable Entry	1 x Ø 25 mm knockout
Serial Ports	1 x RJ12 1 x 6-way screw terminal
Serial Port Conductor Size	2.5 mm ² (#12 AWG) (max)
Supply Terminals	2 x screw terminal (Line, Neutral)
Supply Terminal Conductor Size	10 mm ² (#6 AWG) (max)
Load Terminals	4 x screw terminal
Load Terminal Conductor Size	5 mm ² (#10 AWG) (max)
Earth Bar Terminals	5 x screw terminal
Earth Bar Terminal Conductor Size	1 x 16 mm ² (#6 AWG) (max) 4 x 5mm ² (#10 AWG) (max)

Environment

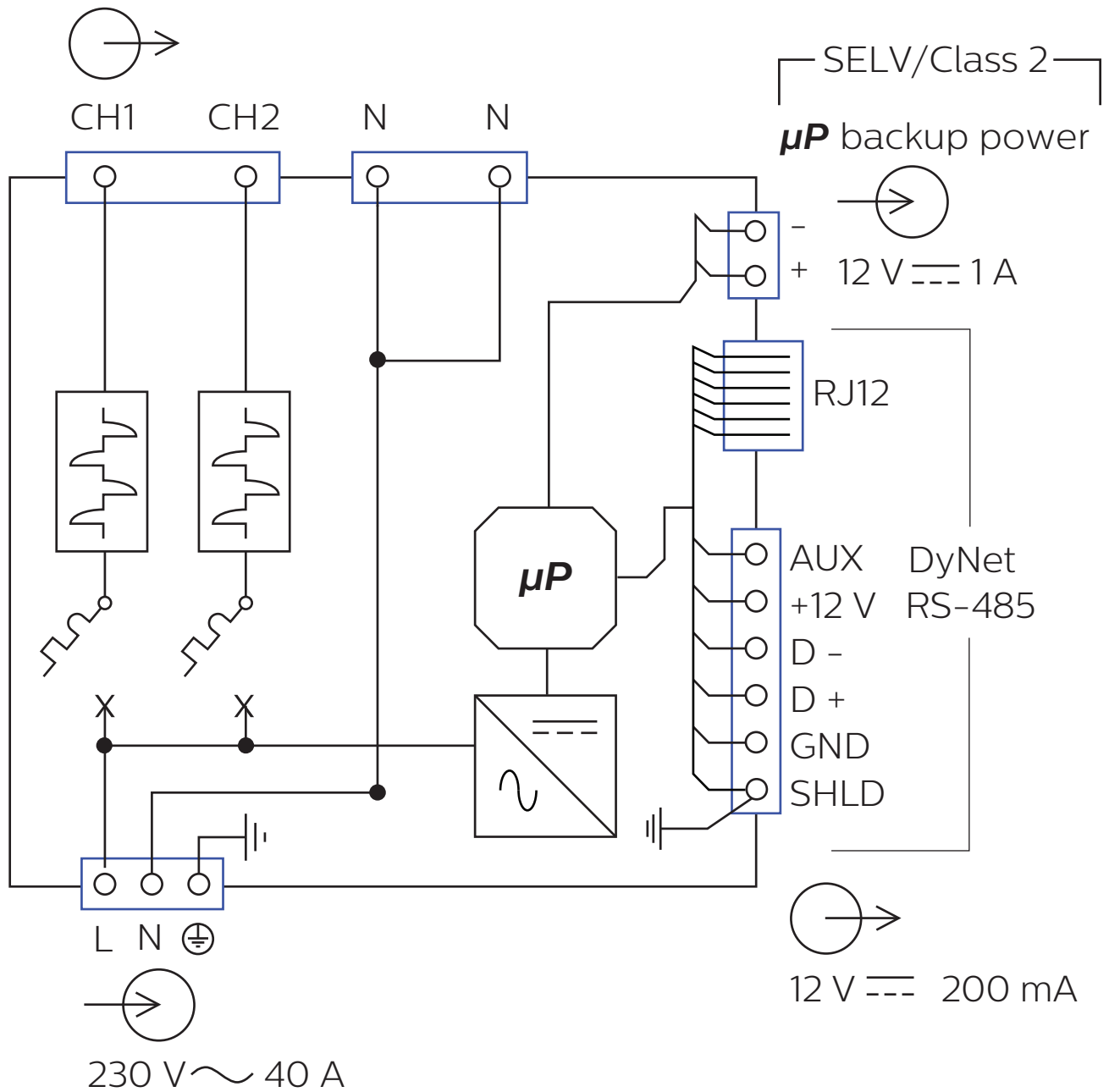
Operating Temperature	0° to 40°C ambient (32° to 104°F)
Storage/Transport Temperature	-25° to 70°C ambient (-13° to 158°F)
Humidity	0 to 90% non-condensing
IEC Pollution Degree	II

Compliance

Certification	CE, RCM, RoHS
---------------	---------------



Electrical



Ordering Code

Product

DLE220 (Standard)

DLE220-A (Additional RS-485 DyNet/DMX512 port)

Philips 12NC

913703002009

913703002109

