



DIR-TX8

Infrared Transmitter

Cost-effective infrared output integration

The Philips Dynalite DIR-TX8 is designed to provide cost-effective control of all types of infrared controllable devices, such as AV equipment.

Supplied by:

The Lightmoves logo, featuring the word 'lightmoves' in a white sans-serif font with a colorful rainbow arc above the 'o'. Below the logo is the tagline 'illuminating ideas'. The contact information is presented in white text on a dark blue background, including phone numbers for Melbourne and Sydney, and email and website addresses.

lightmoves
illuminating ideas

Melbourne Sydney
03 9701 2500 02 9737 8988

info@lightmoves.com.au
www.lightmoves.com.au

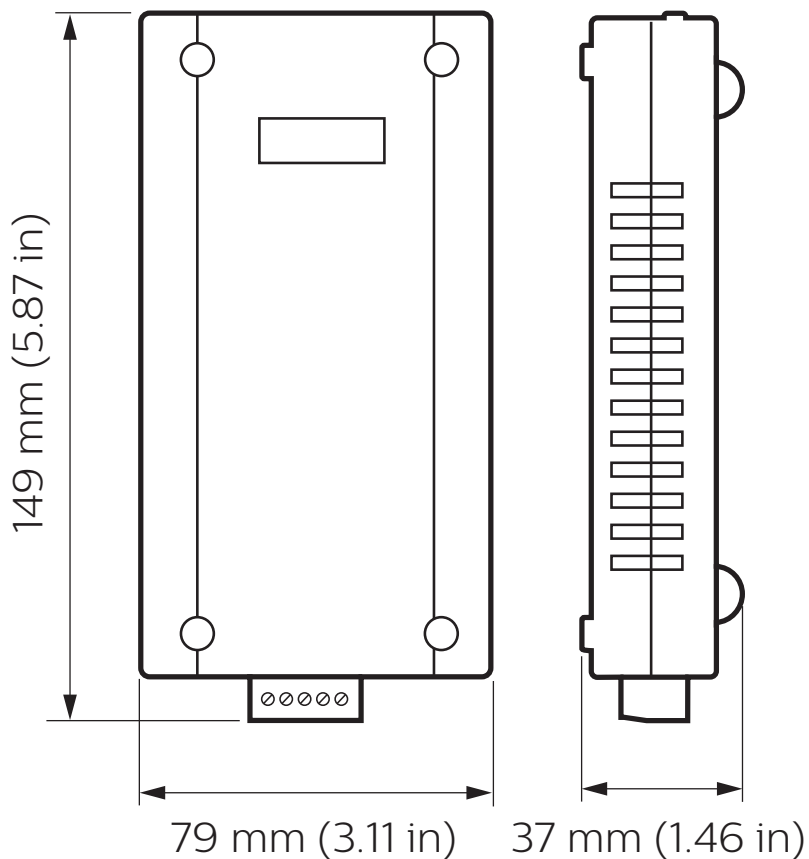
DIR-TX8

Cost-effective infrared output integration

- **Easy set-up** – PC editor software* accepts codes downloaded from the Internet.
- **Macro functionality** – Multiple IR codes can be arranged into macros and played back at any time with a single DyNet command.
- **Intelligent operation** – The device includes an internal Programmable Logic Controller and supports all Philips Dynalite script commands.
- **Compatible with any 3.5mm-to-IR-emitter lead** - Supports up to four commonly available dual-emitter (stereo) or single-emitter (mono) leads, allowing up to eight individually configurable outputs.

* TPanLoad, available from Philips Dynalite

Dimensions



Specifications

Due to continuous improvements and innovations, specifications may change without notice.



DIR-TX8
Infrared Transmitter

Electrical

Supply Type	DyNet
Supply Voltage	12 VDC
Supply Current	50 mA
IEC Overvoltage Category	III

Control

Communication Ports	1 x RS-485
Supported Protocols	DyNet
Dry Contact Inputs	1 (AUX)
Control Output Channels	8 x infrared control
User Controls	1 x service switch
Indicators	1 x service LED

Physical

Dimensions (H x W x D)	37 x 79 x 149 mm (1.46 x 3.11 x 5.87 in)
Packed Weight	0.15 kg (0.33 lb)
Construction	ABS housing
Communication Ports	1 x 6-way pluggable screw terminal
Communication Terminal Conductor Size	2.5 mm ² (#12 AWG) (max)
Infrared Control Terminals	4 x 3.5 mm stereo (female)
3.5 mm Stereo Termination	Tip = Zone 1-4 A Ring = Zone 1-4 B

Environment

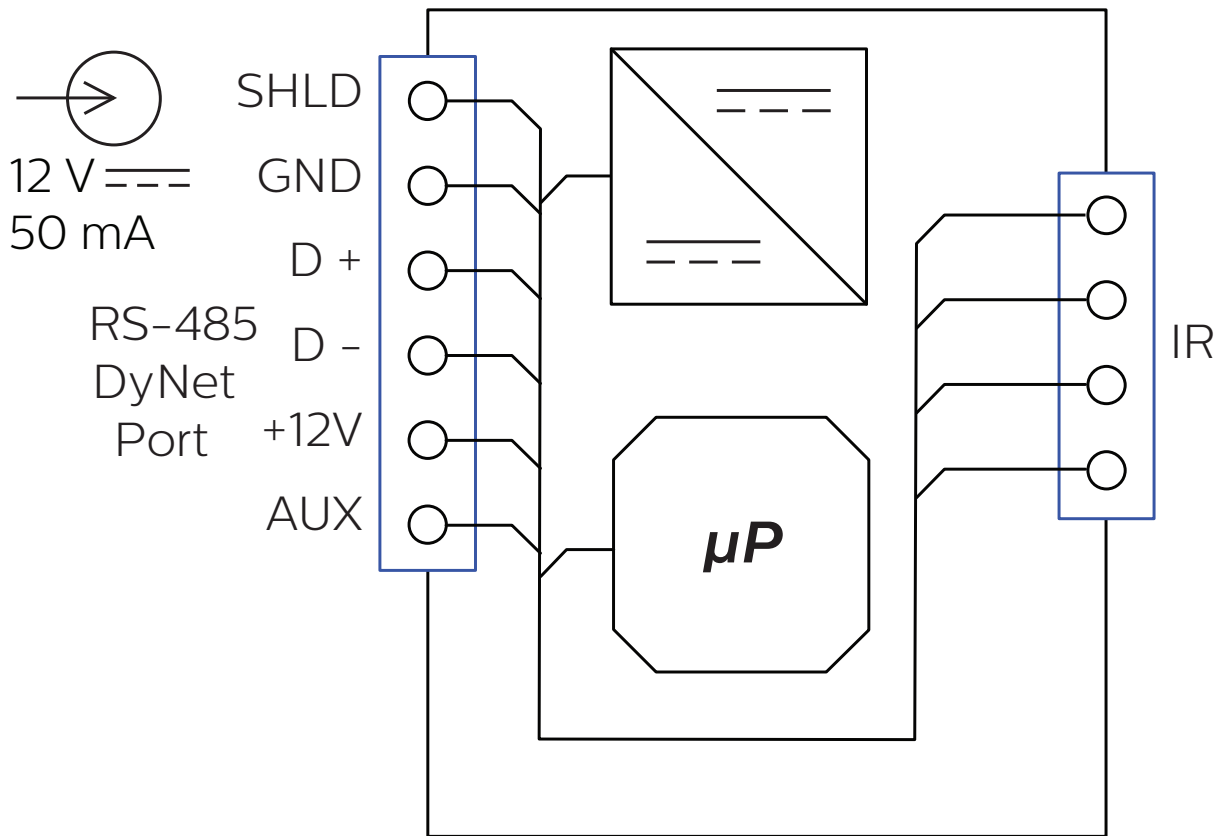
Operating Temperature	0° to 50°C ambient (32° to 122°F)
Storage/Transport Temperature	-25° to 70°C ambient (-13° to 158°F)
Relative Humidity	0 to 90% non-condensing
IEC Pollution Degree	II

Compliance

Certification	CE, RCM, RoHS
---------------	---------------



Electrical



Ordering Code

Product

DIR-TX8 (IR emitter not included)

Philips 12NC

913703080009

Accessories

DIR-TX-EM2 - Max 4 per device
(2 x separately controllable IR emitter LED on 2 m lead
with 3.5 mm stereo plug termination, plus adhesive mounting pads.)

Philips 12NC

913703080109

