

Allowing installers to have onsite flexible networking options, the DDPB22RJ12 allows for 22 DyNet flat cables of the Philips Dynalite system, to be terminated together in one location. Acting as a junction box, the DDPB22RJ12 takes advantage of the RJ12 connection system allowing for a quick install and easy implementation of a network star topology.

technical data 



Connectors

1 x 5 way screw terminal
 22 x RJ12 sockets

User Controls

Internal Diagnostic LED for network connection

Operating Environment

0° to 40°C ambient temperature
 0% to 95% RH non condensing

Compliance

CE, C-Tick

Enclosure

Polycarbonate DIN Rail enclosure
 (12 unit)

Dimensions

H 93mm x W 211mm x D 75mm

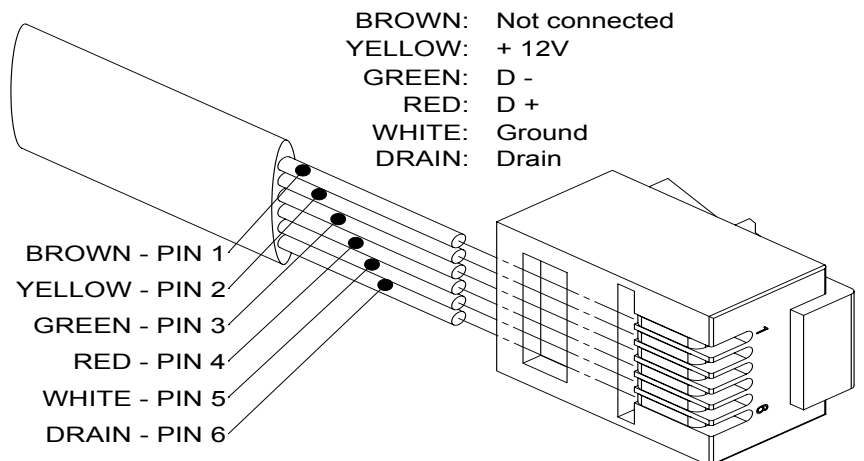
Weight

Packed weight 0.94kg

Flat network cable ordering codes:

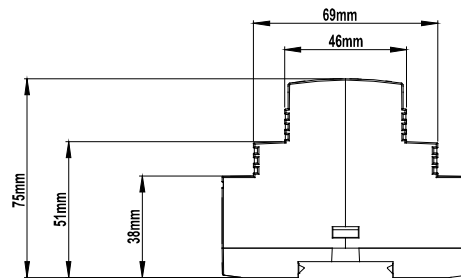
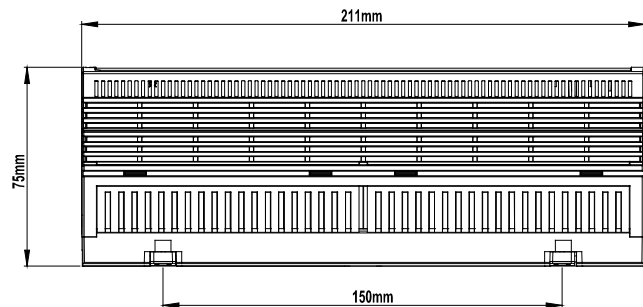
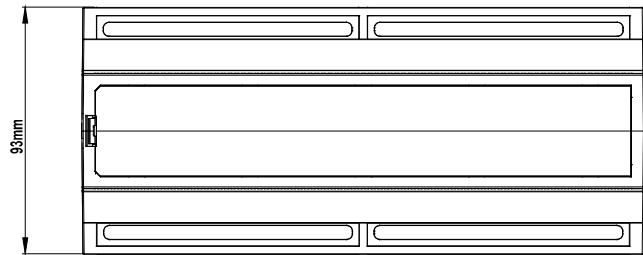
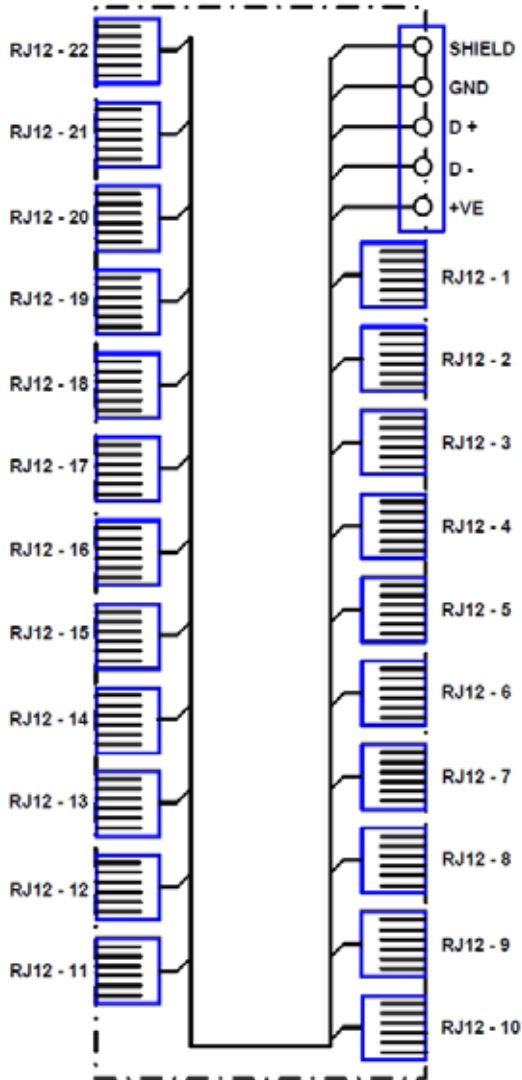
200m Roll: DYNET-SFLAT6-CABLE
 10m Lead: DYNET-SFLATE6-CABLE-10M
 5M Lead: DYNET-SFLATE6-CABLE-5M
 3M Lead: DYNET-SFLATE6-CABLE-3M

RJ12 - 6 Pole wiring 



electrical diagram >>>

mounting dimensions >>>



For further information contact:

