



# DDPB22-RJ12

Network Junction Box

Providing installers with flexible networking options onsite

The Philips Dynalite DDPB22-RJ12 facilitates termination of 22 DyNet flat cables in one location. Flat data cable is specifically designed for high-reliability localized network wiring.

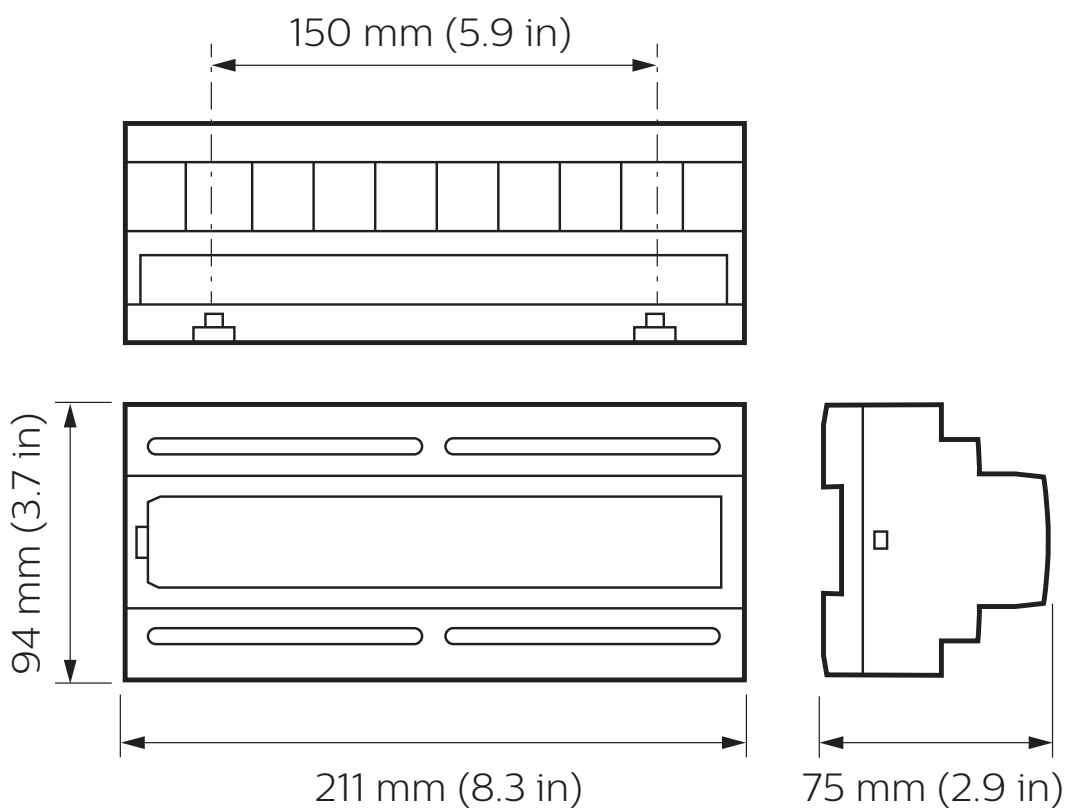
# DDPB22-RJ12

Providing installers with flexible networking options onsite

- **Acts as a junction box** – Provides flexible networking options.
- **Facilitates faster installation** – The device takes advantage of the RJ12 connection system, allowing for a quick install and simple implementation of a star network topology.
- **Complements DyNet flat cable** – Cable is available in 200 m roll or pre-terminated leads of 3, 5 or 10 m.

---

## Dimensions



# Specifications

Due to continuous improvements and innovations, specifications may change without notice.



**DDPB22-RJ12**  
Network Junction Box

## Controls

Indicators	Network connection LED (internal)
------------	-----------------------------------

## Physical

Dimensions (H x W x D)	94 x 211 x 75 mm (3.7 x 8.3 x 2.9 in)
Packed Weight	0.94 kg (2.07 lb)
Construction	Polycarbonate DIN-rail enclosure (12 unit)
Serial Ports	1 x screw terminal 22 x RJ12
Serial Port Conductor Size	2.5 mm <sup>2</sup> (max)

## Environment

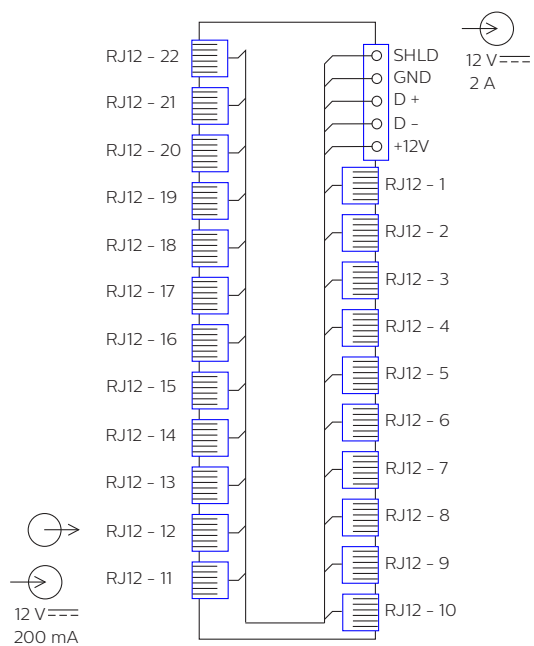
Operating Temperature	0° to 40°C ambient (32° to 104°F)
Storage/Transport Temperature	-25° to 60°C ambient (-13° to 140°F)
Humidity	0 to 90% non-condensing
IEC Pollution Degree	II

## Compliance

Certification	CE, RCM, RoHS
---------------	---------------



## Electrical / Other Diagrams



## Ordering Code

### Product

DDPB22-RJ12

### Philips 12NC

913703097809

