



DDNI-LON

LON Gateway

Single point LON interface

The Philips Dynalite DDNI-LON is designed to provide a single point LON interface to a Philips Dynalite system. It is configured to operate on the LON network with Echelon Corporation's LonMaker.

Supplied by:

The logo for Lightmoves, featuring the word 'lightmoves' in a white, lowercase, sans-serif font with a colorful rainbow arc above the 'o'. Below the logo is the tagline 'illuminating ideas'. The contact information is provided in two columns: Melbourne (03 9701 2500) and Sydney (02 9737 8988). The email address is info@lightmoves.com.au and the website is www.lightmoves.com.au.

lightmoves
illuminating ideas

Melbourne Sydney
03 9701 2500 02 9737 8988

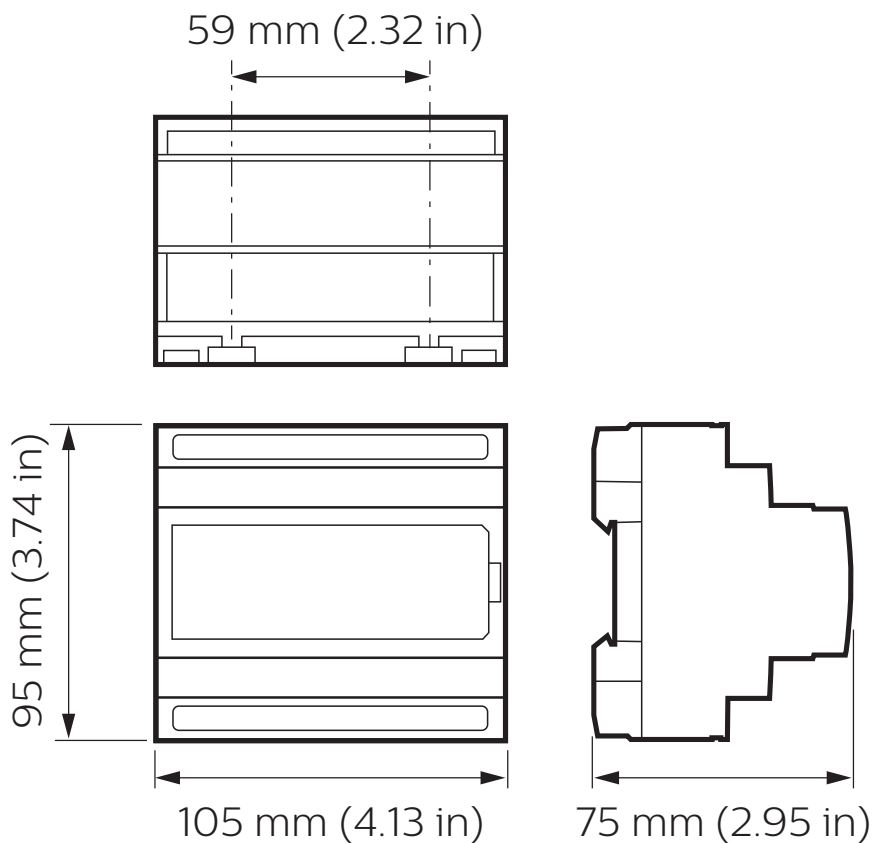
info@lightmoves.com.au
www.lightmoves.com.au

DDNI-LON

Single point LON interface

- **Based on Echelon Corporation's Neuron 3120 chip** – Supports 63 SNVTs and will support preset control of 100 presets per area for 30 areas.
- **Suitable for larger networks** – Multiple DDNI-LON devices can be cascaded together to accommodate larger or more complex DyNet networks.
- **User controls incorporated** – Including DyNet service switch, DyNet diagnostic LED, LON service switch and LON diagnostic LED.

Dimensions



Specifications

Due to continuous improvements and innovations, specifications may change without notice.



DDNI-LON
LON Gateway

Electrical

Supply Type	DyNet
Supply Voltage	12 VDC
Supply Current	50 mA
IEC Overvoltage Category	III

Control

Communication Ports	1 x RS-485 1 x TP/FT-10 LonWorks
Supported Protocols	DyNet LonWorks
Dry Contact Inputs	1 (AUX)
User Input	1 x DyNet service switch 1 x LON service switch
Indicators	1 x DyNet service LED 1 x LON service LED

Physical

Dimensions (H x W x D)	95 x 105 x 75 mm (3.74 x 4.34 x 2.95 in)
Packed Weight	0.6 kg (1.32 lb)
Construction	ABS DIN-rail enclosure (6 unit)
Communication Ports	1 x RJ12 5 x screw terminal 1 x 2-way pluggable screw terminal
Communication Terminal Conductor Size	2.5 mm ² (#12 AWG) (max)

Environment

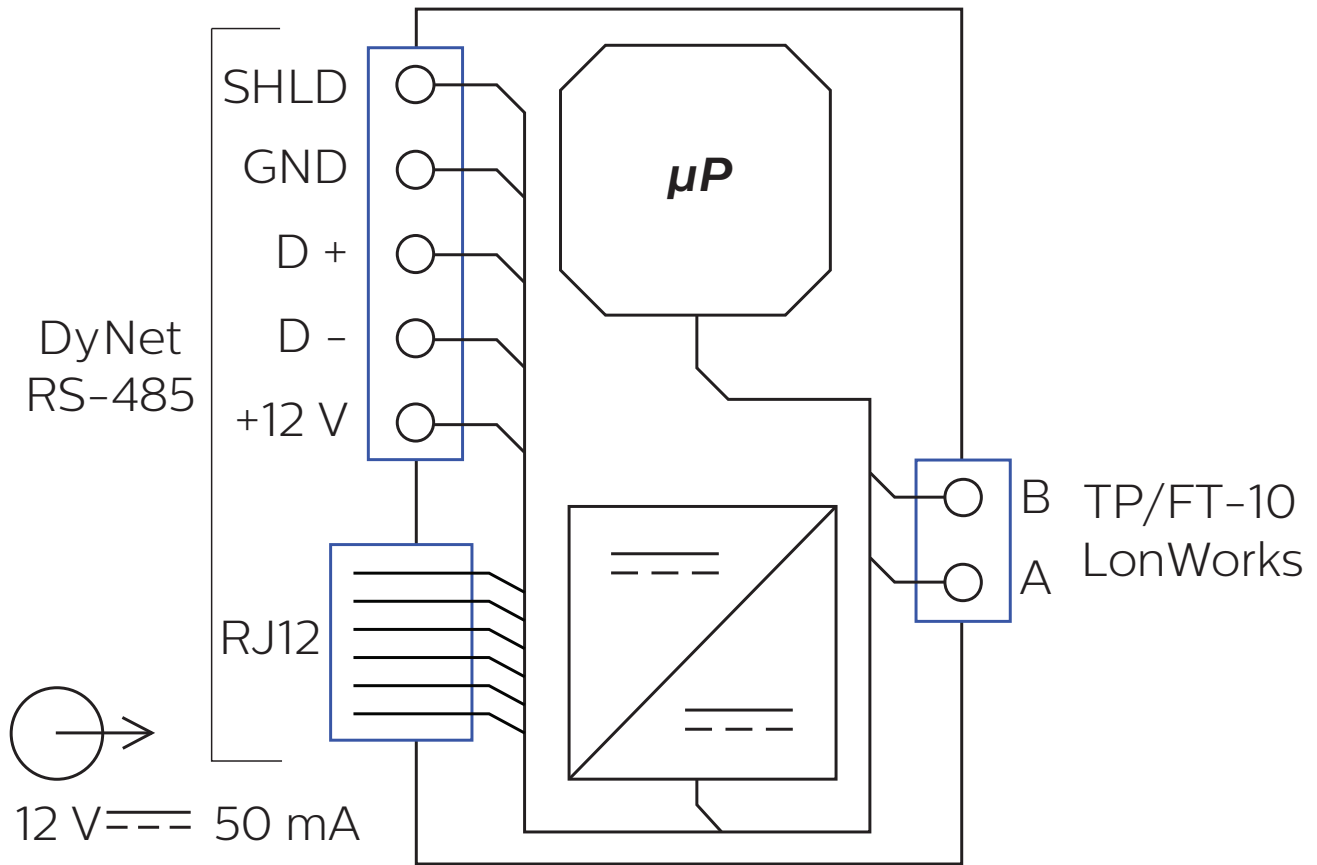
Operating Temperature	-0° to 50°C ambient (32° to 122°F)
Storage/Transport Temperature	-25° to 70°C ambient (-13° to 158°F)
Humidity	0 to 95% non-condensing
IEC Pollution Degree	III

Compliance

Certification	CE, RCM, RoHS
---------------	---------------



Electrical



Ordering Code

Product

DDNI-LON

Philips 12NC

913703081409

