



# DDNG-BACnet

BACnet Network Gateway

## High level BACnet network integration

The Philips Dynalite DDNG-BACnet enables high level integration between a Philips Dynalite system and any building management system (BMS) that uses the BACnet protocol.

Supplied by:

The Lightmoves logo, featuring the word "lightmoves" in white with a colorful circular icon above the "o". Below the logo is the tagline "illuminating ideas". Contact information for Melbourne and Sydney is provided, along with the company's email and website.

**Melbourne**                      **Sydney**  
03 9701 2500                      02 9737 8988  
info@lightmoves.com.au  
www.lightmoves.com.au

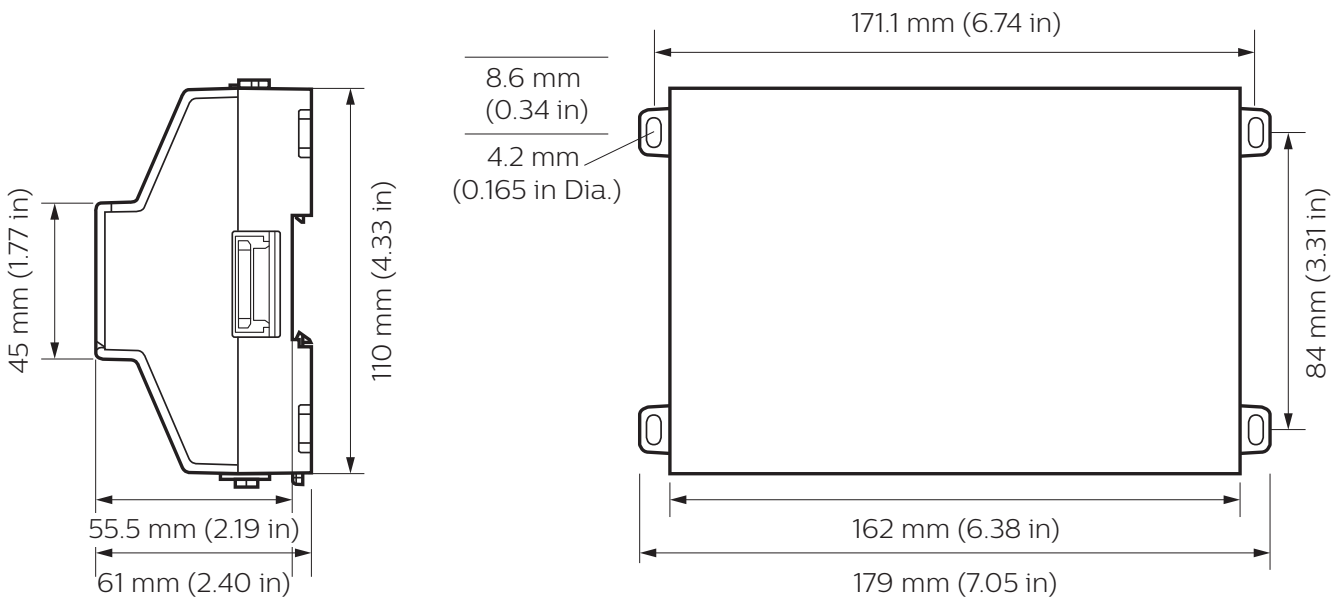
# DDNG-BACnet

## High level BACnet network integration

- **Direct control of lighting system** – Permits direct control of the lighting system via the building's BMS network.
- **Interrogation ability** – Allows interrogation of any area within the network for feedback of current lighting status.
- **A range of options** – Provides solutions suitable for both small and large scale installations.

---

## Dimensions



# Specifications

Due to continuous improvements and innovations, specifications may change without notice.



**DDNG-BACnet**  
BACnet Network Gateway

## Electrical

Supply Type	AC/DC (Class 2 external supply)
Supply Voltage	24 VAC/VDC
Supply Current	1 A

## Control

Serial Ports	2 x RS-485 1 x USB 2.0 Type A 1 x USB micro-A
Communication Ports	2 x Ethernet (10/100 baseT) 1 x WLAN
Supported Protocols	DyNet BACnet IPv4
Wi-Fi Modes	Client or WAP IEEE802.11a/b/g/n IEEE802.11n HT20 @ 2.4GHz IEEE802.11n HT20/HT40 @ 5GHz
Wi-Fi Encryption	WPAPSK/WPA2PSK
Memory	1 x removable microSD (4GB total storage / 2GB user storage)
User Input	1 x USB backup/recovery button 1 x shutdown button 1 x WLAN mode switch 2 x RS-485 bias switches
Indicators	1 x WLAN LED (WLAN) 2 x RS-485 Tx/Rx LED (RS485-A/B) 1 x power LED (STAT) 1 x Heartbeat LED (BEAT) 2 x Ethernet link/activity LED(LAN1/2) 1 x backup LED (BACKUP)

## Physical

Dimensions (H x W x D)	110 x 179 x 61 mm (4.33 x 7.05 x 2.40 in)
Packed Weight	0.61 kg (1.34 lb)
Construction	Low profile DIN rail polycarbonate (10 unit)
Serial Ports	2 x 3-way pluggable screw terminal
Serial Port Conductor Size	2.5 mm <sup>2</sup> (#12 AWG) (max)
Communication Ports	2 x RJ45 1 x RP-SMA
Supply Terminals	1 x 2-way pluggable screw terminal 1 x earth spade lug (connector supplied) 1 x barrel connector jack
Supply Terminal Conductor Size	2.5 mm <sup>2</sup> (#12 AWG) (max)
Barrel Connector Plug size (L x OD x ID)	9.5 x 5.5 x 2.1 mm (0.37 x 0.22 x 0.83 in)

## Environment

Operating Temperature	-20° to 60°C ambient (-4° to 140°F)
Storage/Transport Temperature	-40° to 85°C ambient (-40° to 185°F)
Humidity	5 to 95% non-condensing
IEC Pollution Degree	III

## Compliance

Certification	CE, RCM, UL/cUL, FCC, ICES, RoHS
---------------	----------------------------------



## Ordering Code

### Product

DDNG-BACnet (N4 Platform, 25 Devices / 1250 Points)

**Philips 12NC**

913703247009

### Accessories

BACNET-DRIVER

(License to enable DyNet driver on compatible Tridium JACE devices)

913703097109

