



# DDMIDC8

Low Level Input Integrator

## Flexible input integration

The Philips Dynalite DDMIDC8 is designed to enable cost-effective input integration to the Philips Dynalite control system from third-party systems such as security, HVAC and BMS.

Supplied by:

Melbourne 03 9701 2500 Sydney 02 9737 8988  
info@lightmoves.com.au  
www.lightmoves.com.au

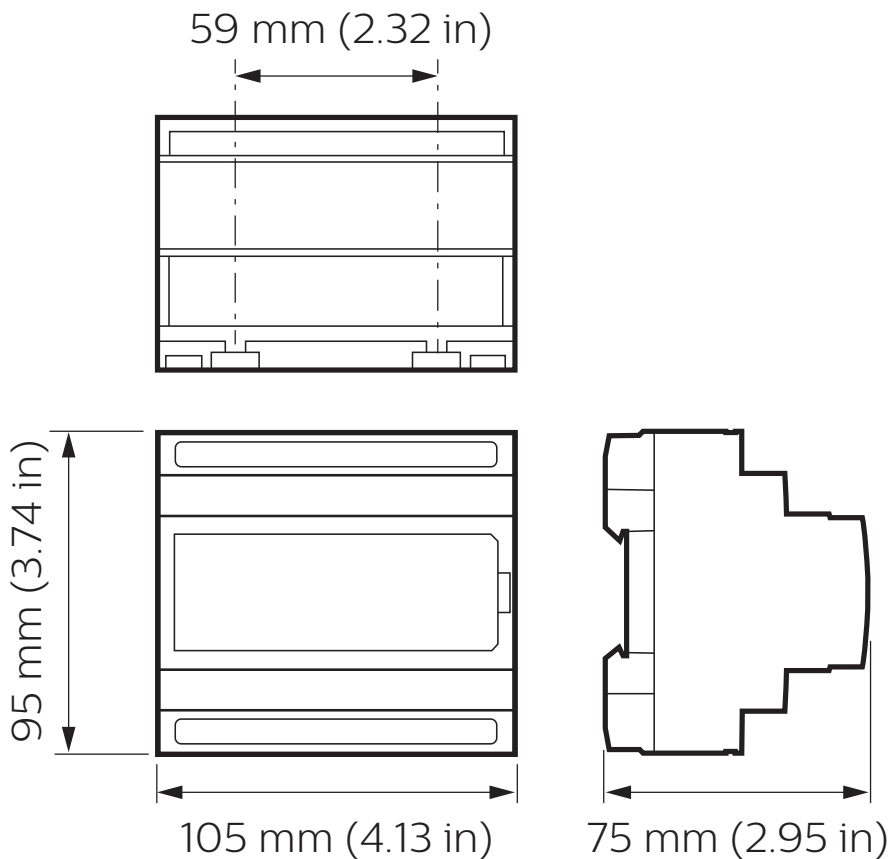
# DDMIDC8

## Flexible input integration

- **Eight digital inputs** – Each can be individually configured as a dry contact or 0-24V AC/DC input.
- **LED indicator on each input** – Provides visual status indication.
- **Optical isolation** – All inputs isolated for high noise immunity.
- **Four 0-5/0-10 V analogue inputs** – Software selectable.
- **Programmable Logic Controller** – Processes comprehensive conditional and sequential logic and arithmetic functions.

---

## Dimensions



# Specifications

Due to continuous improvements and innovations, specifications may change without notice.



## DDMIDC8 Low Level Input Integrator

### Electrical

Supply Type	DyNet
Supply Voltage	12 VDC
Supply Current	68 mA
Digital Input Isolation	Optical (2.5 kV surge rated)
Analog Input Impedance	20 kΩ
IEC Overvoltage Category	III

### Control

Communication Ports	1 x RS-485
Supported Protocols	DyNet
Digital Inputs	8
Digital Input Options	Dry contact 0-24 V AC/DC (SELV only)
Analog Inputs	4
Analog Input Options	0-5 V 0-10 V (SELV only)
User Controls	2 x service switch
Indicators	2 x service LED 8 x digital input status LED

### Physical

Dimensions (H x W x D)	95 x 105 x 75 mm (3.74 x 4.34 x 2.95 in)
Packed Weight	0.28 kg (0.62 lb)
Construction	Polycarbonate DIN-rail enclosure (6 unit)
Communication Ports	5 x screw terminal
Digital Input Terminals	16 x screw terminal
Analog Input Terminals	9 x screw terminal
All Terminal Conductor Size	2.5 mm <sup>2</sup> (#12 AWG) (max)
Maximum Digital Input Cable Length	50 m
Maximum Analog Input Cable Length	10 m

### Environment

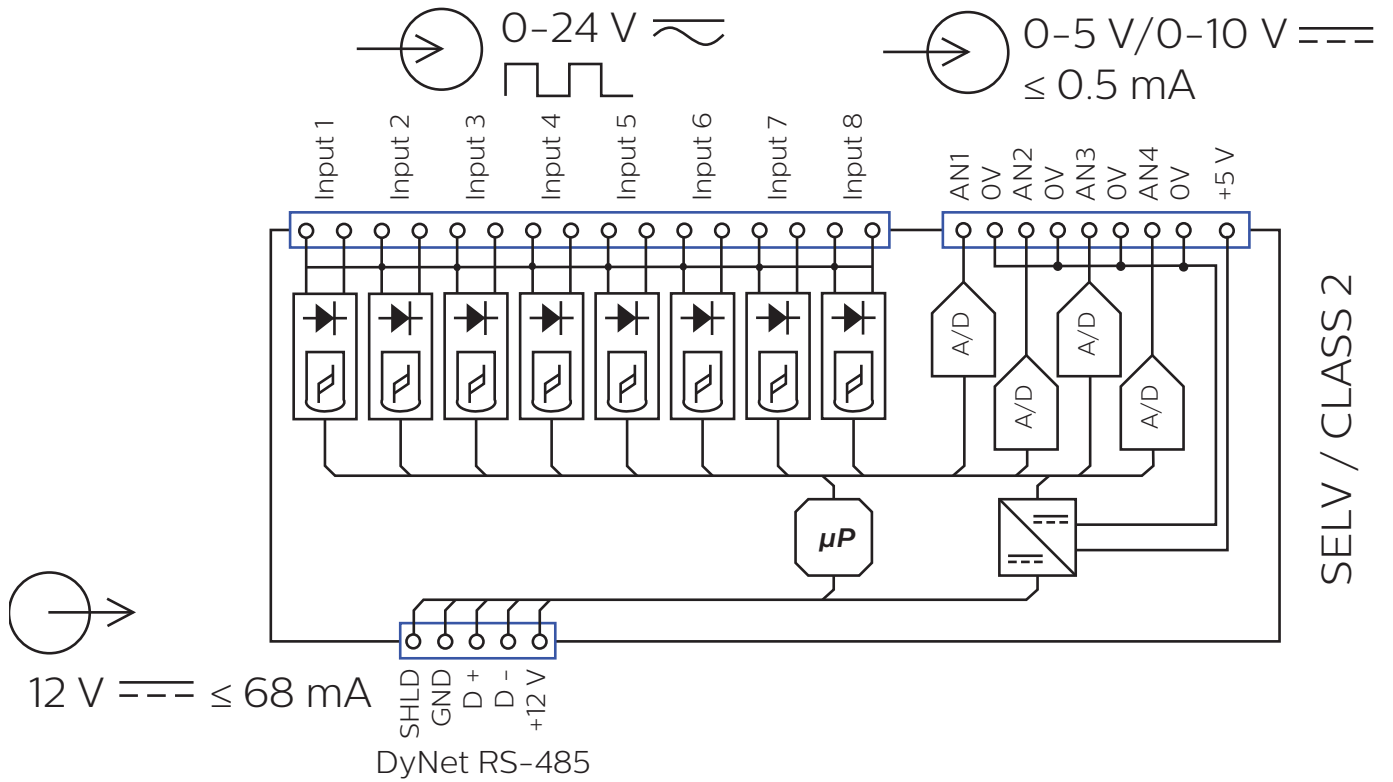
Operating Temperature	0° to 50°C ambient (32° to 122°F)
Storage/Transport Temperature	-25° to 70°C ambient (-13° to 158°F)
Relative Humidity	0 to 90% non-condensing
IEC Pollution Degree	II

### Compliance

Certification	CE, RCM, RoHS
---------------	---------------



# Electrical



## Ordering Code

**Product**  
DDMIDC8

**Philips 12NC**  
913703081109

