



# DDMC802

Multipurpose Modular Controller

Control different load types with one device

The Philips Dynalite DDMC802 provides up to eight configurable output channels, controlled by up to four interchangeable control modules.

A selection of control modules is available for a variety of load types.

Supplied by:

The image shows the Lightmoves logo, which consists of the word 'lightmoves' in a white sans-serif font with a rainbow-colored arc above the 'o'. Below the logo is the tagline 'illuminating ideas'. The contact information is provided in white text on a dark blue background: Melbourne 03 9701 2500, Sydney 02 9737 8988, info@lightmoves.com.au, and www.lightmoves.com.au.

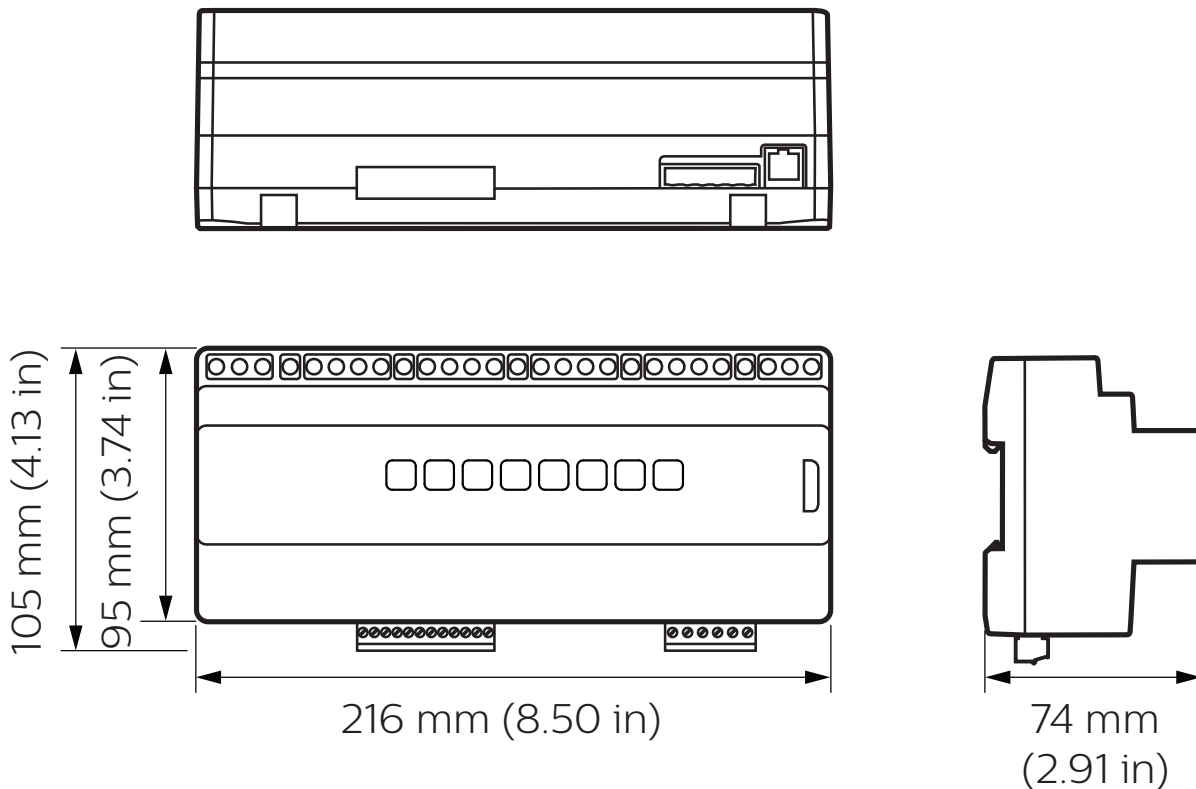
# DDMC802

## Control different load types with one device

- **Single controller solution** — Control a variety of load types from one device.
- **Four module bays** — Accommodates any combination of up to four single modules or two double-size modules.
- **Leading edge phase control dimmer module** — Suitable for use with incandescent lamps and some types of dimmable electronic transformers.
- **Trailing edge phase control dimmer module** — Suitable for use with most types of dimmable electronic transformers.
- **Signal dimmer control module** — Suitable for 1-10 V, DSI and DALI Broadcast control of digital drivers and transformers.
- **Relay control module** — Suitable for controlling most types of switched loads.
- **Fan control module** — 400 VA three-speed fan control.
- **Curtain control module** — Provides control of curtains, blinds and other motorized window treatments.
- **Flexible mounting solution** — A DIN-rail mountable device, designed to be installed into the distribution board supplying power to the controlled circuit.

---

## Dimensions



# Specifications

Due to continuous improvements and innovations, specifications may change without notice.



## DDMC802 Multipurpose Modular Controller

### Electrical

Supply Type	Single phase
Supply Voltage	100–240 VAC
Supply Current	16 A
Outputs	8 (4 x 2-channel module bays)
DyNet DC Output Voltage	12 VDC
DyNet DC Output Current	200 mA (supply for approximately 10 user interfaces)
Power Conditioning	Regulated outputs Overvoltage protection Surge protection Brownout / Sag protection Spike protection Soft start 16 bit fade resolution (65,536 steps)
Overvoltage Category	III

### Control

Serial Ports	1 x RS-485
Supported Protocols	DyNet DMX Rx
Dry Contact Inputs	9 (8 + AUX)
Diagnostic Functions	Device online/offline status Circuit runtime tracking
User Controls	1 x service switch 8 x manual override switches
Indicators	1 x service LED 8 x channel status LED

### Physical

Dimensions (H x W x D)	105 x 216 x 74 mm (4.13 x 8.50 x 2.91 in)
Packed Weight	0.52 kg (1.14 lb)
Construction	Polycarbonate DIN rail enclosure (12 unit)
Serial Ports	1 x RJ12 1 x 6-way pluggable screw terminal
Serial Port Conductor Size	2.5 mm <sup>2</sup> (#12 AWG) (max)
Supply Terminals	3 x screw terminal Line, Neutral, Earth
Supply Terminal Conductor Size	5 mm <sup>2</sup> (#10 AWG) (max)
Dry Contact Terminals	1 x 12-way pluggable screw terminal
Dry Contact Terminal Conductor Size	1.3 mm <sup>2</sup> (#16 AWG) (max)
Load Terminals	16 x screw terminal
Load Terminal Conductor Size	5 mm <sup>2</sup> (#10 AWG) (max)

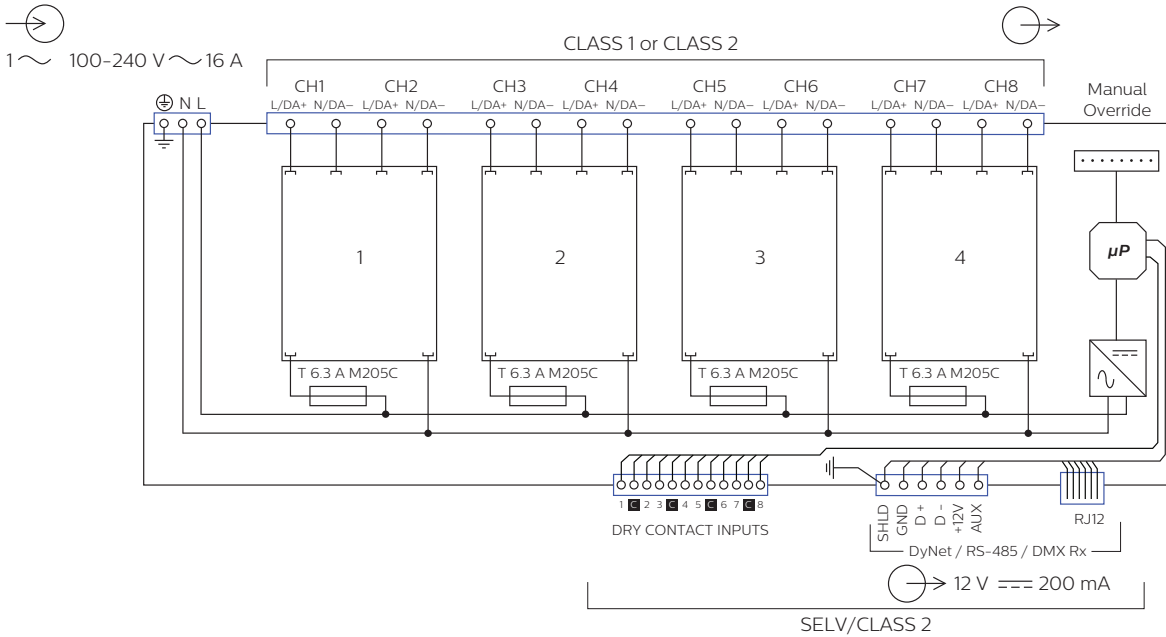
### Environment

Operating Temperature	0° to 40°C ambient (32° to 104°F)
Storage/Transport Temperature	-25° to 70°C ambient (-13° to 158°F)
Humidity	0 to 90% non-condensing
IEC Pollution Degree	II

### Compliance

Certification	CE, RCM, UL/cUL, FCC, ICES-003, RoHS
---------------	--------------------------------------

# Electrical



## DGCM102

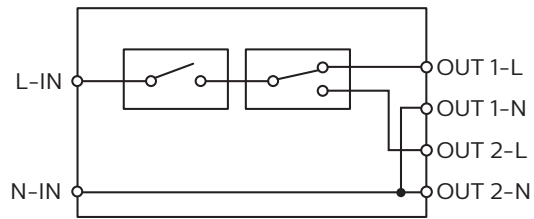
Module Type Motorized curtain/blind control

Output Channels 1

### Output Channel Ratings

Load Type	Maximum Rating per Output
General Use	2 A, 230 VAC
Motor x 1	4.4 FLA* (1/6 HP), 120 VAC 4.9 FLA* (1/2 HP), 230 VAC

\* Full Load Amps



## DGFM102

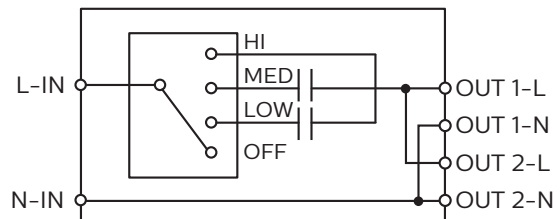
Module Type Fan control

Output Channels 1

### Output Channel Ratings

Load Type	Maximum Rating per Output
Motor x 1	400 VA, 230 VAC*

\*Not suitable for 120 VAC (Not UL listed)



## DGRM204

Module Type Relay control

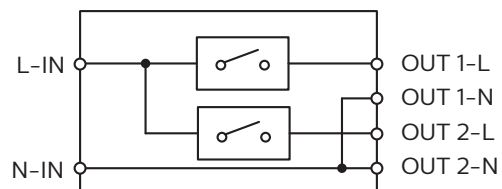
Output Channels 2

### General Load Limit

Maximum Module Load 5 A

### Output Channel Ratings

Load Type	Maximum Rating per Output
General Use	4 A, 230 VAC
Incandescent	600 W, 120 VAC 1100 W, 230 VAC
Standard Ballast	2 A, 120 VAC
Electronic Ballasts	4 A, 120 VAC 3 A, 230 VAC

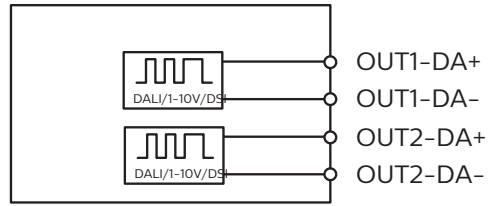


# DGBM200

Module Type	Signal dimmer control
Output Channels	2
Supported Protocols	1-10 V DSI DALI Broadcast

## Output Channel Ratings

Load Type	Max Ballasts	Maximum Rating per Output
1-10 V	10	10 mA sink/source
DSI/DALI	5	13 VAC 10 mA guaranteed, 250 mA max DALI Insulation System: Basic Supports Class 1 / Class 2 wiring



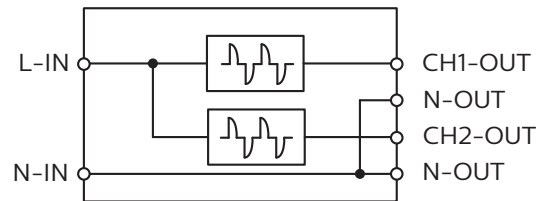
# DGLM202

Module Type	Leading edge dimmer
Output Channels	2

## Output Channel Ratings

Load Type	Maximum Rating per Output
Incandescent	2 A, 120-230 VAC
Standard Ballast	
Electronic Ballast*	

\* Can be limited by load capacitance



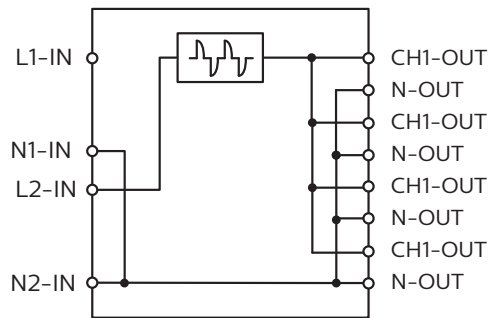
# DGLM105 (Double size module)

Module Type	Leading edge dimmer
Output Channels	1

## Output Channel Ratings

Load Type	Maximum Rating per Output
Incandescent	5 A, 120-230 VAC
Standard Ballast	
Electronic Ballast*	

\* Can be limited by load capacitance



# DGLM402 (Double size module)

Module Type	Leading edge dimmer
Output Channels	4

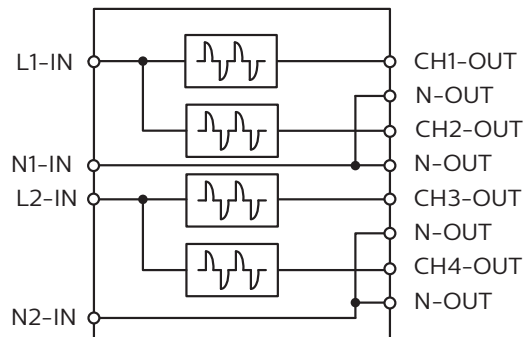
## General Load Limit

Maximum Module Load	5 A
---------------------	-----

## Output Channel Ratings

Load Type	Maximum Rating per Output
Incandescent	2 A, 120-230 VAC
Standard Ballast	
Electronic Ballast*	

\* Can be limited by load capacitance



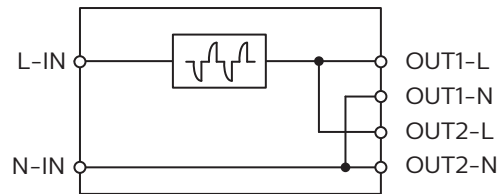
## DGTM104

Module Type	Trailing edge dimmer
Output Channels	1

### Output Channel Ratings

Load Type	Maximum Rating per Output
Incandescent	4 A, 120-230 VAC
Electronic Ballast	

Not compatible with magnetic transformers



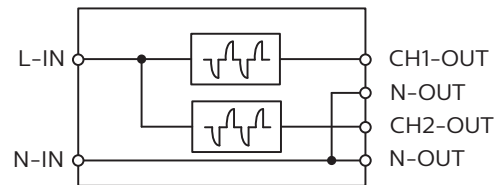
## DGTM202

Module Type	Trailing edge dimmer
Output Channels	2

### Output Channel Ratings

Load Type	Maximum Rating per Output
Incandescent	2 A, 120-230 VAC
Electronic Ballast	

Not compatible with magnetic transformers



## DGTM402 (Double size module)

Module Type	Trailing edge dimmer
Output Channels	4

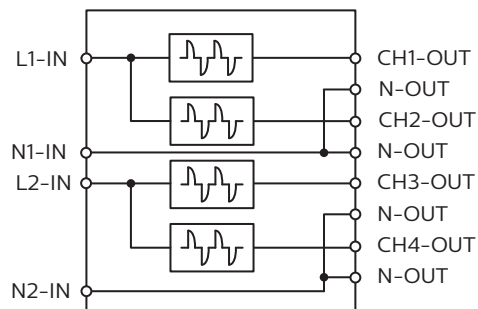
### General Load Limit

Maximum Module Load	5 A
---------------------	-----

### Output Channel Ratings

Load Type	Maximum Rating per Output
Incandescent	2 A, 120-230 VAC
Electronic Ballast	

Not compatible with magnetic transformers



## Ordering Code

### Product

DDMC802	Philips 12NC
---------	--------------

913703243509

### Modules

DGCM102	913703024409
DGFM102	913703026709
DGRM204	913703261109
DGBM200	913703261209
DGLM105	913703260809
DGLM202	913703260909
DGLM402	913703261009
DGTM104	913703260609
DGTM202	913703260709
DGTM402	913703024309

