



# DDLE802

Leading Edge Dimmer Controller

Direct dimming for a range of lighting loads

The Philips Dynalite DDLE802 is an eight-channel leading edge dimmer controller with a maximum load per channel of 2 A. It is suitable for use with incandescent, low voltage, neon and selected fluorescent fixtures.

Supplied by:

The Lightmoves logo features the word 'lightmoves' in white with a colorful rainbow arc over the 'o', and the tagline 'illuminating ideas' below it. Contact information for Melbourne and Sydney is provided, along with an email address and website URL.

**Melbourne** 03 9701 2500 **Sydney** 02 9737 8988  
info@lightmoves.com.au  
www.lightmoves.com.au

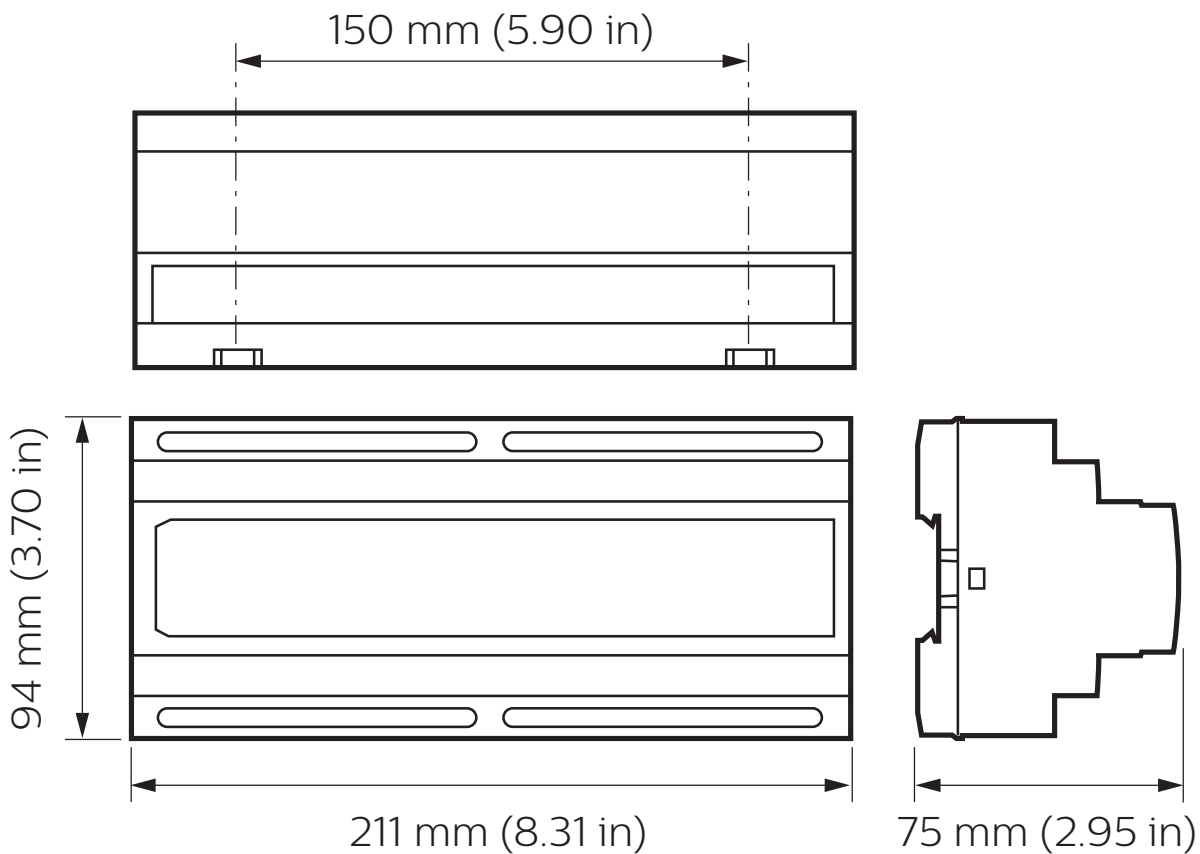
# DDLE802

## Direct dimming for a range of lighting loads

- **Optional manual override LED illuminated service switch** – Provides diagnostic and local override capability.
- **Soft start and voltage regulation technologies** – Protects lamps from over voltage and dramatically improves lamp life, reducing maintenance costs.
- **Naturally ventilated** – No forced cooling required, no maintenance required.
- **Flexible mounting solution** – A DIN-rail mountable device, designed to be installed into the distribution board supplying power to the controlled circuit.

---

## Dimensions



# Specifications

Due to continuous improvements and innovations, specifications may change without notice.



**DDLE802**  
Leading Edge Dimmer Controller

## Electrical

Supply Type	Single-phase
Supply Voltage	230 VAC (±14%)
Supply Current	16 A
Outputs	8 x Leading edge dimming
Output Channel Current	2 A
DyNet DC Output Voltage	12 VDC
DyNet DC Output Current	120 mA
Power Conditioning	Regulated outputs Overvoltage protection Surge protection Brownout / Sag protection Spike protection Soft start 16 bit fade resolution (65,536 steps)
Electrical Protection	4 x 6.3 A time delay fuse (2 channels per fuse)
Regulating Device	Triac (20 A, 600 V, 200 A surge)
IEC Overvoltage Category	III

## Control

Serial Ports	1 x RS485
Supported Protocols	DyNet DMX Rx
DMX Rx Channels	8
Dry Contact Inputs	1 (AUX)
Diagnostic Functions	Device online/offline status Circuit run time tracking on each channel
User Controls	1 x service switch
Indicators	1 x service LED

## Physical

Dimensions (H x W x D)	94 x 211 x 75 mm (3.70 x 8.31 x 2.95 in)
Packed Weight	0.94 kg (2.07 lb)
Construction	Polycarbonate DIN-rail enclosure (12 unit)
Serial Ports	1 x RJ12 1 x 6-way screw terminal
Serial Port Conductor Size	2.5 mm <sup>2</sup> (#12 AWG) (max)
Supply Terminals	3 x screw terminal (Line, Neutral, Earth)
Supply Terminal Conductor Size	5 mm <sup>2</sup> (#10 AWG) (max)
Load Terminals	16 x screw terminal
Load Terminal Conductor Size	5 mm <sup>2</sup> (#10 AWG) (max)

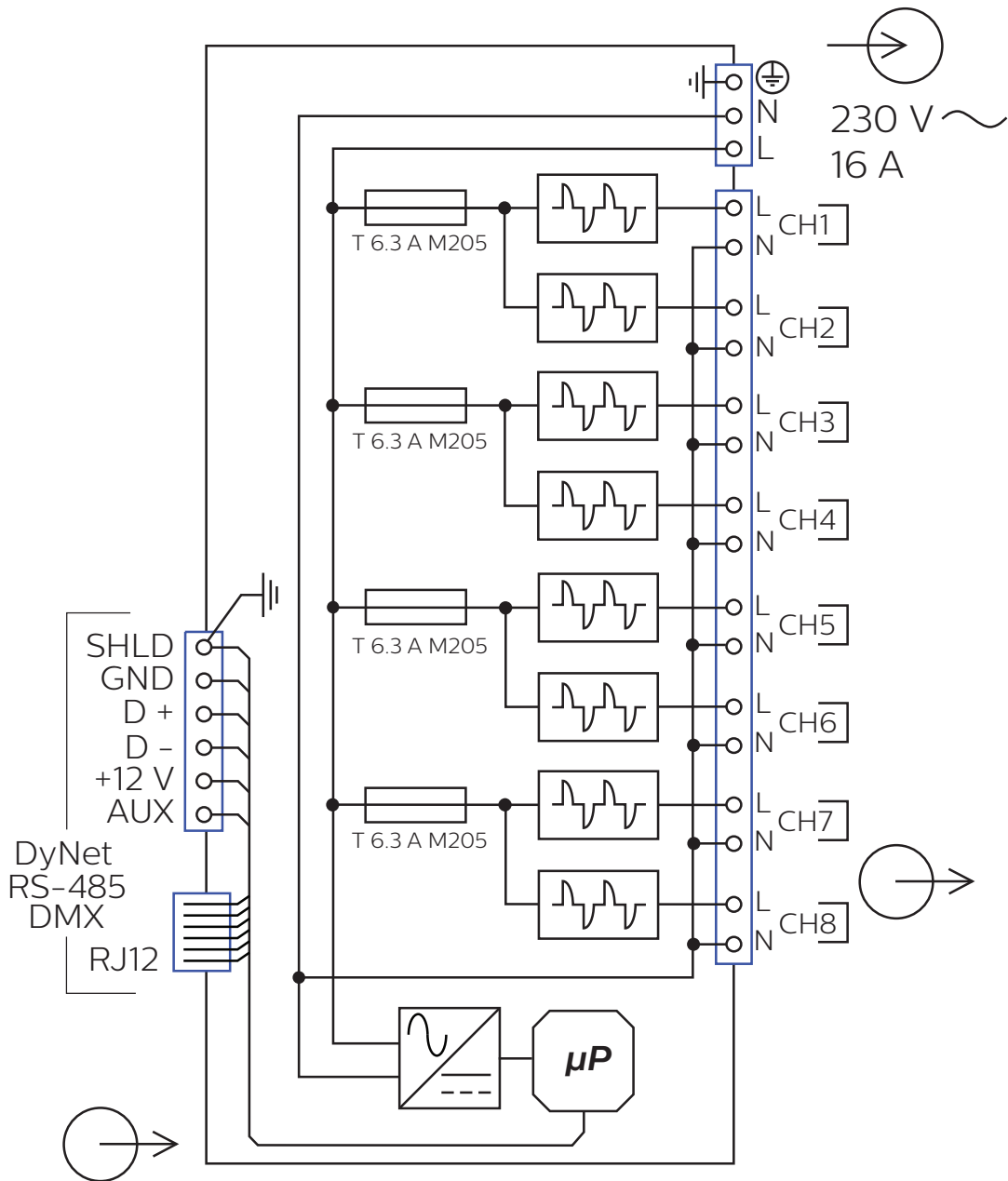
## Environment

Operating Temperature	0° to 40°C ambient (32° to 104°F)
Storage/Transport Temperature	-25° to 70°C ambient (-13° to 158°F)
Humidity	0 to 90% non-condensing
IEC Pollution Degree	II

## Compliance

Certification	CE, RCM, RoHS
---------------	---------------

# Electrical



## Ordering Code

### Product

DDLE802 (Standard)

DDLE802-MO (Manual Override)

### Philips 12NC

913703000009

913703000109

