



DDFCUC010

Fan Coil Unit Controller

Direct control of air conditioning

The Philips Dynalite DDFCUC010 is a fan coil unit controller designed for direct connection to components commonly found in air conditioning systems.

Supplied by:

The Lightmoves logo, featuring the word 'lightmoves' in a white sans-serif font with a colorful rainbow arc above the 'o'. Below the logo is the tagline 'illuminating ideas'. The contact information is provided for Melbourne and Sydney, including phone numbers, email, and website.

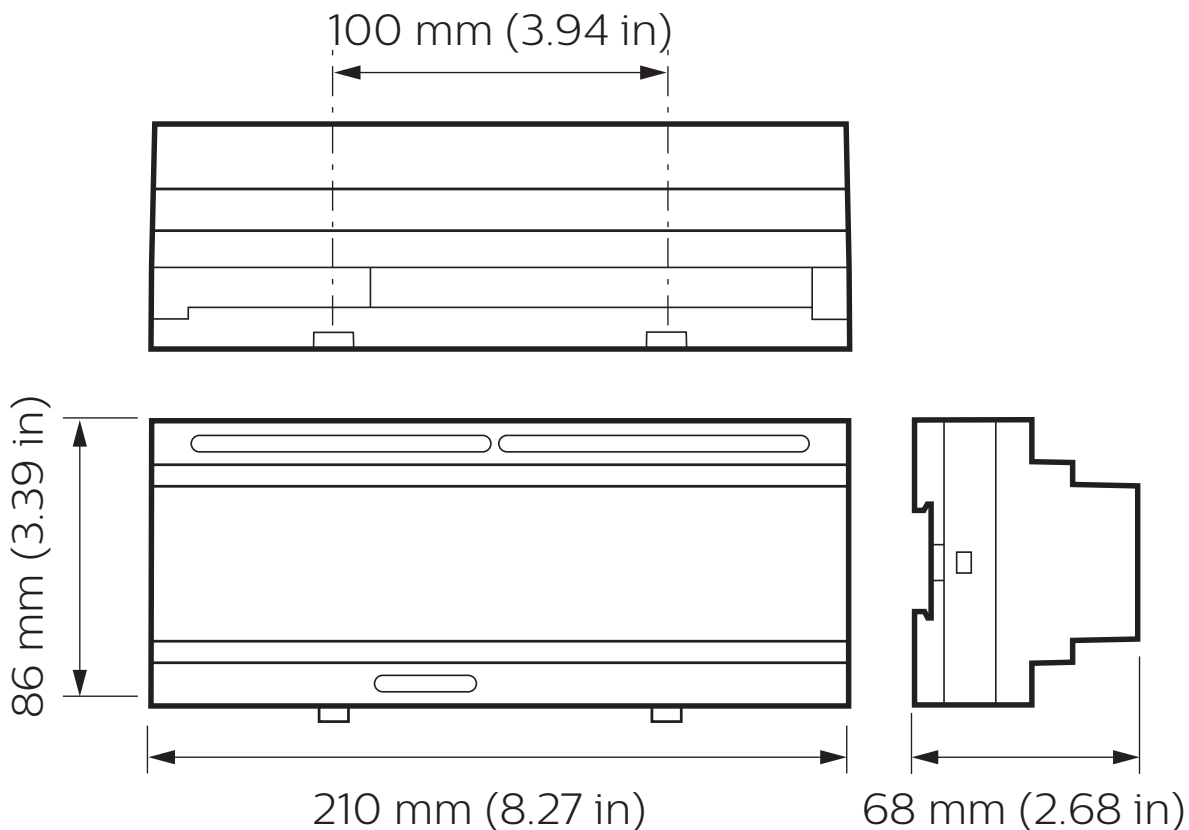
Melbourne **Sydney**
03 9701 2500 02 9737 8988
info@lightmoves.com.au
www.lightmoves.com.au

DDFCUC010

Direct control of air conditioning

- **0-10 V outputs** – Provided for controlling hot and cold-water valves.
- **Relay outputs** – Provided for driving fan motors.
- **High capacity relay** – Provided for use with electrical heaters or power outlet switching.
- **Inputs for resistive temperature sensors** – Allows the device to use data from a local temperature sensor or a networked temperature sensor, such as an Antumbra user interface.
- **Programmable auxiliary inputs** – Provided for use with peripheral devices including smoke detectors, motion detectors, window open/close sensors, airflow detectors, drip trays, dirty air filters and hot water on cold valve.
- **Networkable** – Can be networked with other equipment including Philips Dynalite user interfaces, via an on-board RS-485 DyNet port.

Dimensions



Specifications

Due to continuous improvements and innovations, specifications may change without notice.



DDFCUC010
Fan Coil Unit Controller

Electrical

Supply Type	Single-phase
Supply Voltage	230 VDC (± 14%)
Supply Current	10 A
Water Valve Control Outputs	Floating: 2 x 0-10 V @ 10 mA (max) Valve actuator coil: 2 x 24 VAC @ 4 VA (max)
Fan Control Output	1 x 230 VAC @ 10 A (Three-way selectable relay - High, Medium, Low)
Electric Heater Output	1 x 230 VAC @ 16 A
DyNet DC Output Voltage	12 VDC
DyNet DC Output Current	120 mA
IEC Overvoltage Category	III

Control

Communication Ports	2 x RS-485
Supported Protocols	DyNet
Dry Contact Inputs	3
Temperature Sensor Inputs*	1 x 20 K NTC
User Controls	1 x service switch
Indicators	1 x service LED

Physical

Dimensions (H x W x D)	94 x 211 x 75 mm (3.70 x 8.31 x 2.95 in)
Packed Weight	0.8 kg (1.76 lb)
Construction	Polycarbonate DIN-rail case (12 unit)
Communication Ports	2 x RJ12 5 x screw terminal
Communication Terminal Conductor Size	2.5 mm ² (#12 AWG) (max)
Control Outputs	11 x screw terminal
Dry Contact Inputs	6 x screw terminal
Maximum Dry Contact Cable Length	20 m
Temperature Sensor Input	2 x screw terminal
Supply Terminals	5 x screw terminal
Input/Output/Supply Terminal Conductor Size	4 mm ² (#11 AWG) (max)

Environment

Operating Temperature	-0° to 50°C ambient (32° to 122°F)
Storage/Transport Temperature	-25° to 70°C ambient (-13° to 158°F)
Humidity	0 to 90% non-condensing
IEC Pollution Degree	III

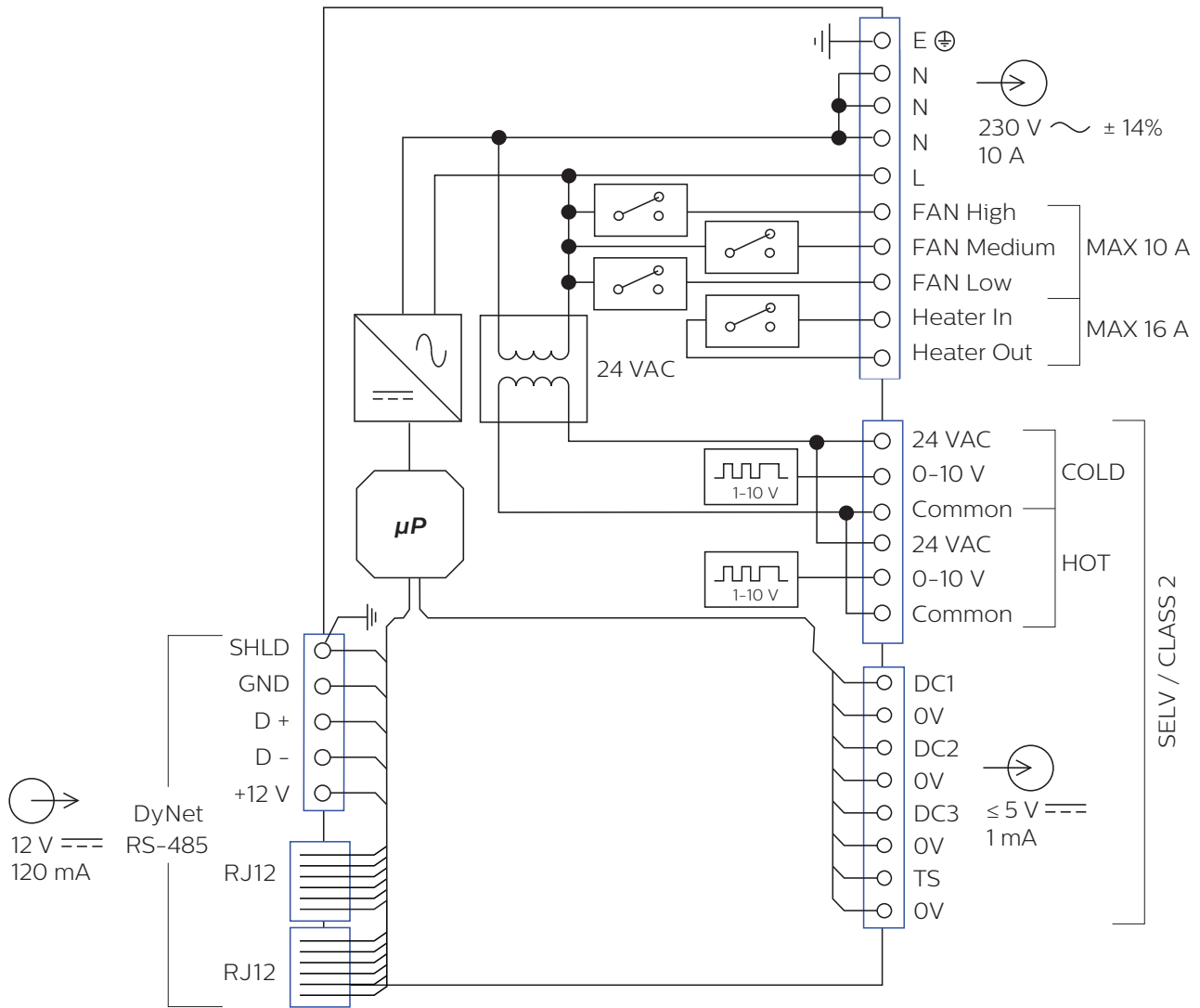
Compliance

Certification	CE, RCM, RoHS
---------------	---------------

* Networked temperature sensors also supported.



Electrical



Ordering Code

Product

DDFCUC010

Philips 12NC

913703081909

