

The DDBC516FR is designed to provide cost effective control of DALI high frequency fluorescent ballasts. Each of the five control outputs support DALI broadcast, DALI Addressed, 1-10V and DSI protocols. The control signals can be programmed to operate in tandem with the five internal switched outputs, which will automatically isolate the power circuit when all associated channels are at 0%. This feature is useful for energy savings applications, as DALI ballasts draw a significant amount of power when the lamps are turned off via a DALI command. The device is DIN rail mountable, designed to be installed in a switchboard next to the circuit breakers supplying power to the controlled lighting circuits. The DDBC516FR contains an integral DALI bus power supply, removing the need for an additional external device.

**technical data** 



**Control Circuit Supply**

100-240V 50/60Hz Single Phase at 0.5A

**Control Outputs**

5 x Control Outputs, each selectable to;  
 - DALI broadcast: max 10 DALI loads/ch  
 - DALI addressed: max 10 DALI loads/ch  
 - 1-10V: max 10mA Sink or Source/ch  
 - DSI: max 10 DSI loads/ch

**Mains Outputs**

5 x 16 Amp feed thru switched circuits for ballast mains supply (Max total box load of 80A)

**Control Inputs**

1 x RS485 DyNet serial port  
 1 x AUX programmable dry contact input

**Bus Power Supply**

Internal DALI bus power supply

**User Controls**

Over-ride switch for each switched channel  
 On/Off status indicator for each switched output  
 Service Switch  
 Diagnostic LED

**DyNet DC Supply**

12V @ 200mA (supply for approx. 5 panel)

**Preset Scenes**

170

**Diagnostic Functions**

Lamp failure reporting  
 Ballast failure reporting  
 Ballast run time tracking for each ballast and the switched output  
 Device Online/Offline status

**Supply Terminals**

Line, Neutral, Earth  
 1 x 4mm<sup>2</sup> max conductor size

**Output Terminals**

5 x Ballast power circuit -  
 Line In, Line out  
 1 x 4mm<sup>2</sup> max conductor size  
 5 x Ballast control circuit - Dx, Dx  
 1 x 4mm<sup>2</sup> max conductor size

**Operating Environment**

0° to 40°C ambient temperature  
 0% to 95% RH non-condensing

**Compliance**

CE, C-Tick

**Enclosure**

Polycarbonate DIN Rail enclosure (12 units wide)

**Dimensions**

H 93mm x W 211mm x D 75mm

**Weight**

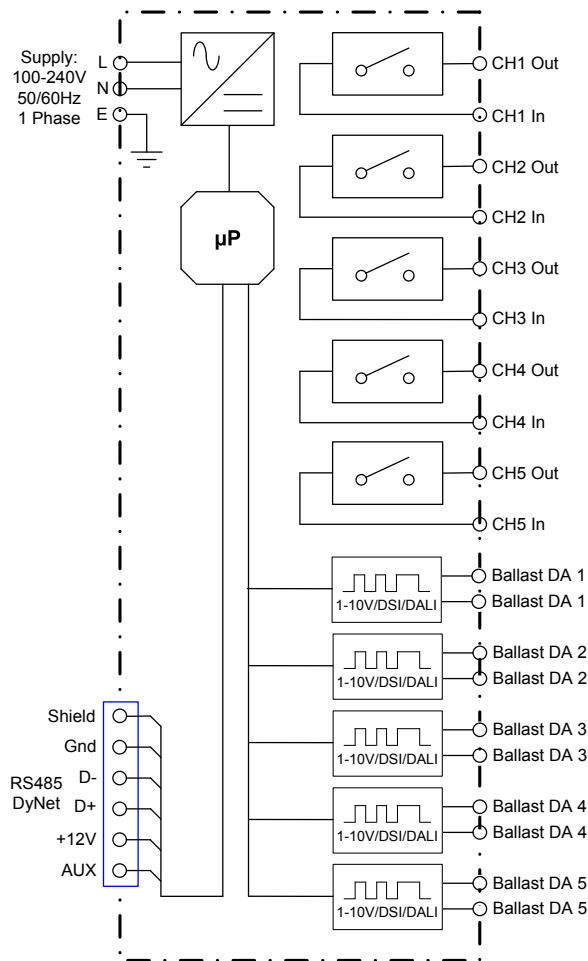
Packed weight 0.8kg

**load compatibility** 

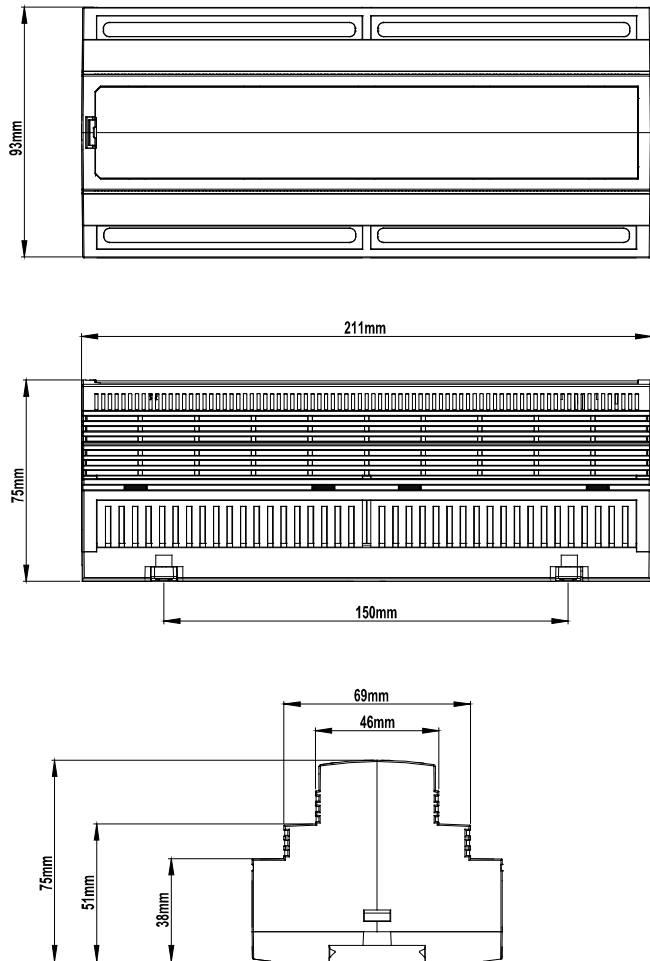
DALI, DSI and 1-10V HF ballasts  
 DALI, DSI and 1-10V transformers

DALI, DSI and 1-10V LED drivers  
 DALI, DSI and 1-10V Relay Modules

electrical diagram >>>



mounting dimensions >>>



Supplied by:



**Melbourne**  
03 9701 2500

**Sydney**  
02 9737 8988

info@lightmoves.com.au

www.lightmoves.com.au