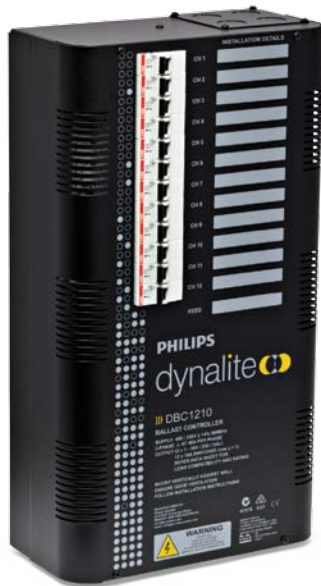


The DBC1210 & DBC1220GL are designed for use with DALI, 1-10V and DSI electronic dimmable fluorescent ballasts and transformers. They have 12 x 10A and 12 x 20A relay outputs respectively, to switch fluorescent lighting or other loads in a DyNet energy management system. Twelve control outputs, selectable to DALI Broadcast, 1-10V and DSI are provided for control of HF ballasts.

technical data >>>



Supply

DBC1210 - 100/230V $\pm 14\%$ 50/60Hz
3-Phase λ at 40A per phase
DBC1220GL - 100/230V $\pm 14\%$ 50/60Hz
3-Phase λ at 63A per phase

Switched Outputs

DBC1210 - 12 x switched outputs at 10A
(total device load is 120A)
DBC1220GL - 12 x switched outputs at
20A (total device load is 180A)

Control Outputs

- DALI Broadcast mode: 64 ballast per channel, up to a maximum of 400
- 1-10V mode: 50mA sink/source per channel
- DSI mode: 100 ballast per channel, up to a maximum of 1200

Overload Protection

DBC1210 - 12 x 10A 6kA single pole thermal magnetic circuit breakers
DBC1220GL - 12 x 20A 6kA single pole thermal magnetic circuit breakers

Switching Device

DBC1210 & DBC1220GL - Relay - 50A 230V AC inductive (5000W lighting load rated)

Control IO

1 x RS485 DyNet serial port / DMX
1 x programmable dry contact AUX input

User Controls

Service Over-ride switch - All channels to 100%
Diagnostic LED

DyNet DC Supply

12V @ 120mA (supply for approx. 6 panels)

Preset Scenes

170

Diagnostic Functions

Device Online/Offline status

Supply Terminals

DBC1210 - L1, L2, L3
1 x 16mm² max conductor size
DBC1220GL - L1, L2, L3
1 x 35mm² max conductor size
Neutral Link bar provided
Earth Link bar provided

Output Terminals

Line for each channel
1 x 10mm² max conductor size
Neutral Link bar provided
Earth Link bar provided
V/DSI/DALI, +V/DSI/DALI for each channel
1 x 4mm² max conductor size

Cable Entries

Mains - 4 x 25mm dia. knockouts mounted on a 88mm x 88mm removable gland plate
Data - 1 x 25mm dia. knockout
Output - 6 x 25mm dia knockouts on side of chassis

Operating Environment

0° to 40°C ambient temperature
0% to 90% RH non condensing

Compliance

CE, C-Tick

Construction

Alloy/Steel wall mount case with epoxy finish

Dimensions

H 457mm x W 252mm x D 126mm
(-RCBO version H 585mm)

Weight

Packed weight 10.25kg

load compatibility >>>

DALI fluorescent ballasts broadcast mode only
DALI low voltage transformers
1-10V fluorescent ballasts

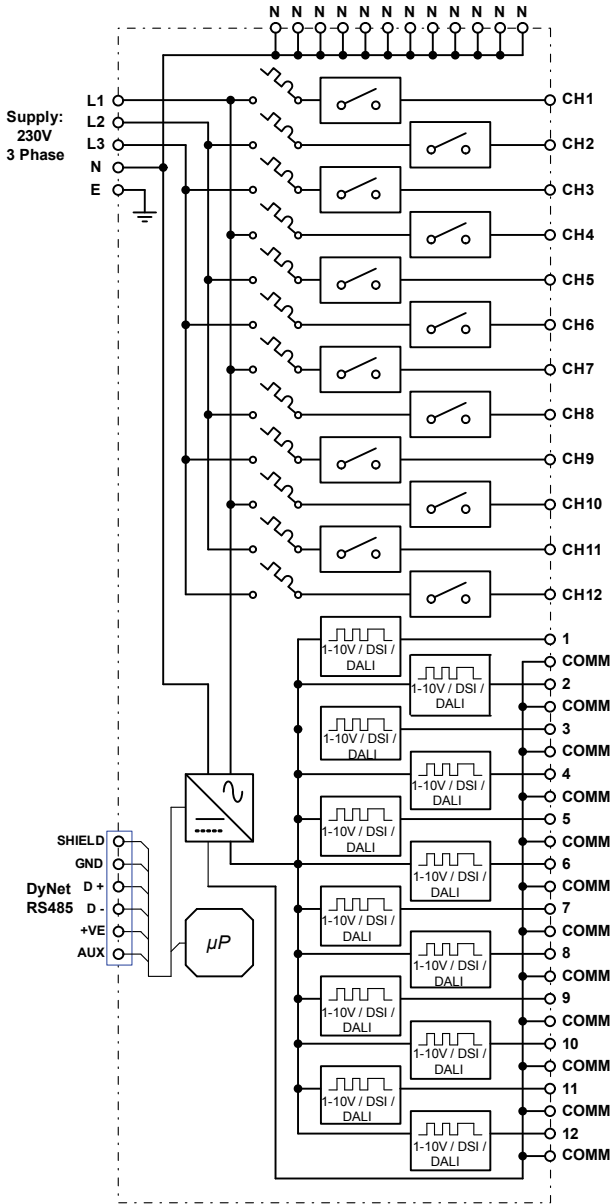
DSI fluorescent ballasts
DSI low voltage transformers
Switched loads

options >>>

Extra RS485 DyNet/DMX512 port -A
Earth leakage and overload protection on each channel - RCBO (Note: larger enclosure)

Three pole circuit breakers -3POLE
Circuit breaker trip reporting -BT

electrical diagram)))



mounting dimensions)))

