



Date: _____ Type: _____

Firm Name: _____

Project: _____

sPDS-60ca 24V

Power / data supply for indoor installations

sPDS-60ca 24V is a compact power / data supply designed for indoor LED lighting fixtures employing Chromasic technology from Philips Color Kinetics.

sPDS-60ca 24V is compatible with both Ethernet and DMX controllers.

sPDS-60ca 24V delivers 62 watts of total output and accommodates input voltages ranging from 100 VAC to 240 VAC. All power and data connections are made via an external panel, for reduced installation time. Short-circuit protection prevents failure due to incorrectly wired fixtures.

Onboard push-button controls incorporate the ability to program base light addresses and configure light groups, eliminating the need for

additional addressing tools or software.

The sPDS-60ca 24V enclosure is designed for use in dry locations.

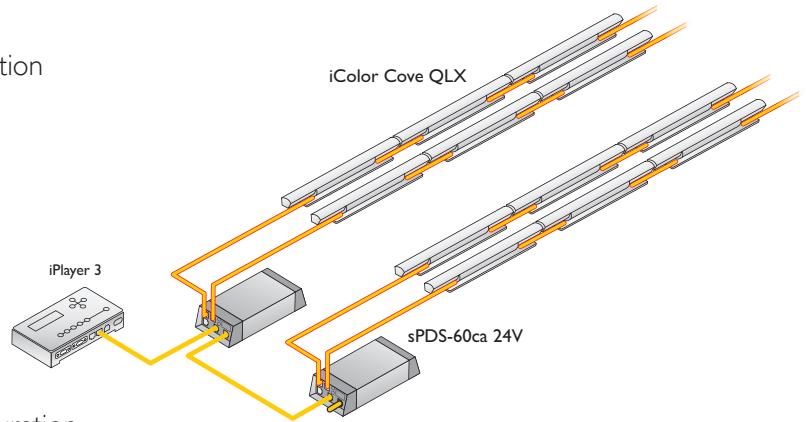


☰ For device mounting and maintenance details, refer to the Installation Instructions included in the product packaging, or download documentation from www.philipscolorkinetics.com/lspds/spds60/

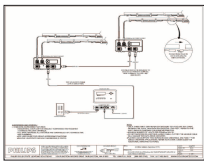
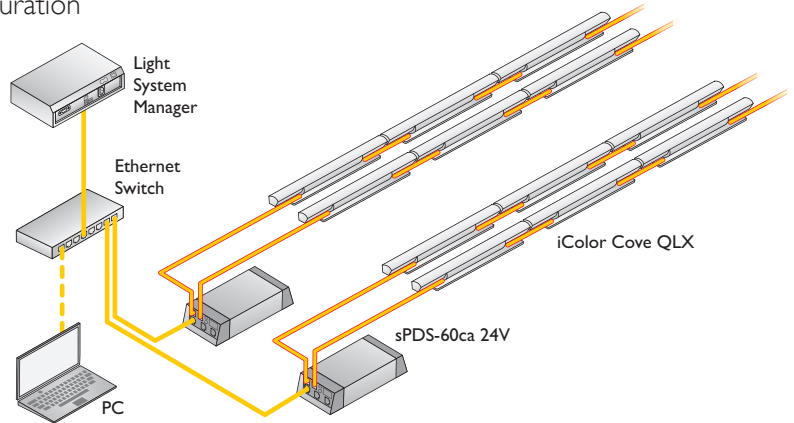
Compatible Fixtures

| Fixture | Max. Quantity Per sPDS-60ca 24V |
|-----------------------|---------------------------------|
| eW Flex SLX | 1 string |
| iColor Flex LMX | 1 string |
| iColor Cove EC 7 in | 30 |
| iColor Cove EC 12 in | 30 |
| iColor Cove QLX 6 in | 30 |
| iColor Cove QLX 12 in | 20 |

DMX Configuration



Ethernet Configuration



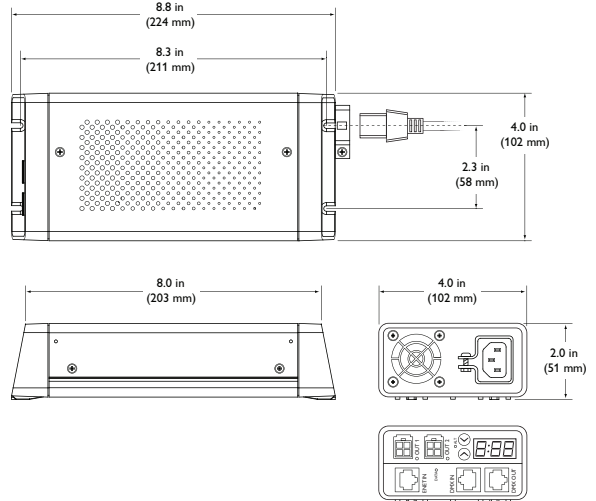
☰ sPDS-60ca 24V wiring diagrams are available online at www.philipscolorkinetics.com/support/wiring/



Specifications

Due to continuous improvements and innovations, specifications may change without notice.

| Item | Specification | Details | |
|--------------------------|-------------------------------------|---|--|
| Electrical | Input Voltage | 100 – 240 VAC, auto-switching, 50 / 60 Hz | |
| | Maximum Input Current | 1.7 A at 100 VAC, 1.5 A at 120 VAC, .75 A at 240 VAC | |
| | Power Output | 24 VDC, 62 W maximum | |
| Physical | Dimensions (Height x Width x Depth) | 2.0 x 4.0 x 8.8 in (52 x 102 x 224 mm) | |
| | Weight | 2.0 lb (.91 kg) | |
| | Construction | Aluminum case with impact resistant, injection-molded plastic end caps, surface mount design | |
| | Finish | Gray and black matte | |
| | Connectors | Data | RJ-45 input and output connectors |
| | | Power Output | (2) 4-pin output ports |
| | | Power Input | IEC 320 receptacle type C13, locking clamp |
| | Temperature Ranges | 14° – 104° F (-10° – 40° C) Operating 14° – 122° F (-10° – 50° C) Startup -40° – 176° F (-40° – 80° C) Storage | |
| | Humidity | 0 – 95%, non-condensing | |
| | Cooling | Thermostatically controlled fan with serviceable filter | |
| | Airflow | Top cover input, back panel output | |
| | Heat Dissipation | 25% of total power input at maximum load | |
| | Data Input | Philips full range of controllers, third-party DMX controllers, or KiNET-compatible* third-party Ethernet controllers | |
| Certification and Safety | Certification | UL / cUL, PSE | |
| | Classification | UL Class 2 power supply | |
| | Environment | Dry Location, IP20 | |



* KiNET is the Ethernet lighting protocol from Philips Color Kinetics.



Ordering Information

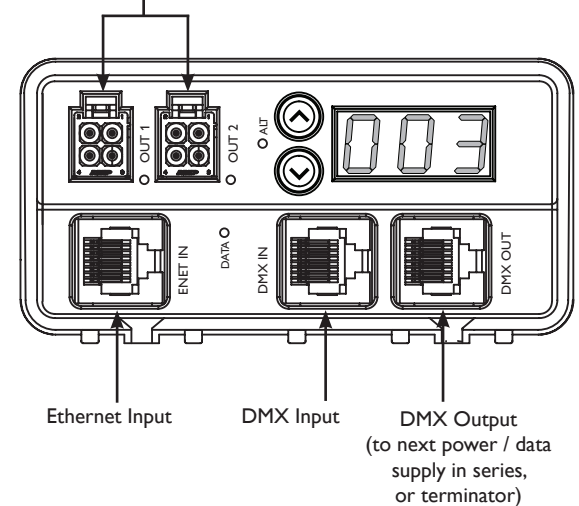
| Item | Included Components | Item Number | Philips 12NC |
|----------------|--|---------------|--------------|
| sPDS-60ca 24 V | Power / data supply, IEC US power cord, DMX data terminator, (3) clamp-on EMI suppression cores, Installation Instructions | 109-000021-02 | 910503700106 |

Use Item Number when ordering in North America.

Onboard push-button controls and 3-digit LED display allow base light address programming directly from the sPDS-60ca 24 V, eliminating the need for additional addressing tools or software.



Power / Data Output 1 and 2 (to fixtures)



For complete instructions detailing sPDS-60ca 24 V onboard controls and features, refer to the *Addressing and Configuration Guide* available online at www.philipscolorkinetics.com/support/addressing/



Philips Color Kinetics
3 Burlington Woods Drive
Burlington, Massachusetts 01803 USA
Tel 888.385.5742
Tel 617.423.9999
Fax 617.423.9998
www.philipscolorkinetics.com

Copyright © 2009 – 2012 Philips Solid-State Lighting Solutions, Inc. All rights reserved. Chromacore, Chromasic, CK, the CK logo, Color Kinetics, the Color Kinetics logo, ColorBlast, ColorBlaze, ColorBurst, eW Fuse, ColorGraze, ColorPlay, ColorReach, iW Reach, eW Reach, DIMand, EssentialWhite, eW, iColor, iColor Cove, IntelliWhite, iW, iPlayer, Optibin, and Powercore are either registered trademarks or trademarks of Philips Solid-State Lighting Solutions, Inc. in the United States and / or other countries. All other brand or product names are trademarks or registered trademarks of their respective owners. Due to continuous improvements and innovations, specifications may change without notice. DAS-000065-01 R02 04-12