



Date: _____ Type: _____

Firm Name: _____

Project: _____

sPDS-480ca 24V

Power / data supply for large-scale Ethernet installations

sPDS-480ca 24V is a power / data supply designed for large-scale Ethernet LED lighting installations using Chromasic fixtures from Philips Color Kinetics.

Housed in a 2U rack-mountable enclosure, sPDS-480ca 24V includes rack handle and surface-mount brackets, for versatile mounting options.

sPDS-480ca 24V delivers 480 watts of output via eight 60-watt ports and automatically accommodates input voltages ranging from 100 VAC to 240 VAC. Short-circuit protection prevents device failure due to incorrectly wired fixtures. The standard IEC power inlet accepts both US and international power cords.

Over-temperature detection and selectable shutdown options protect sPDS-480ca 24V against operation beyond its rated temperature specification. Variable speed fans keep noise levels low and include serviceable air filters.

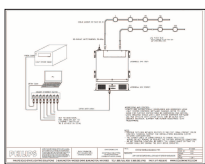


☰ For device mounting and maintenance details, refer to the *Installation Instructions* included in the product packaging, or download documentation from www.colorkinetics.com/ls/pds/spds48024/

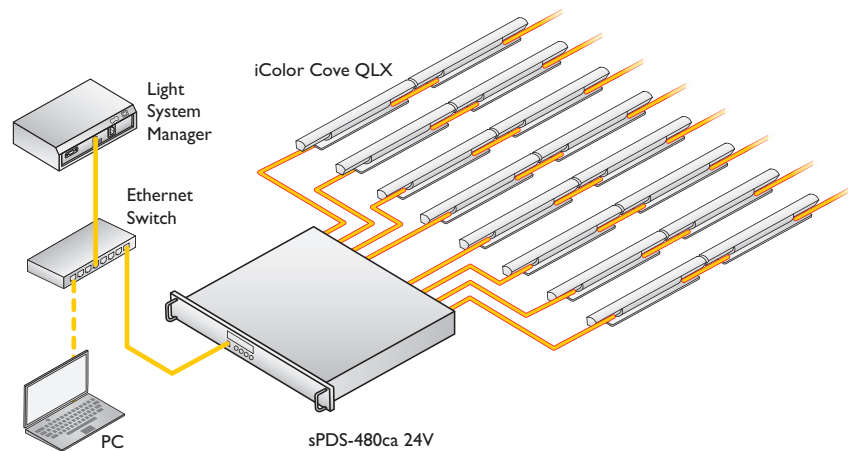
With onboard controls, sPDS-480ca 24V incorporates automatic fixture discovery and testing, eliminating the need for additional addressing tools or software. sPDS-480ca 24V features a backlit LCD for easy menu viewing.

Compatible Fixtures

Fixture	Max. Quantity Per sPDS-480ca 24V	Max. Quantity Per Output Port
eW Flex SLX	8 strings	1 string
iColor Flex LMX	8 strings	1 string
iColor Cove EC 7 in	240	30
iColor Cove EC 12 in	240	30
iColor Cove QLX 6 in	240	30
iColor Cove QLX 12 in	160	20



☰ sPDS-480ca 24V wiring diagrams are available online at www.philipscolorkinetics.com/support/wiring/



Each sPDS-480ca 24V unit delivers power and data to a maximum of 512 nodes. The maximum number of sPDS-480ca 24V units per installation varies based on the controller type and the node quantities of the fixtures.



Specifications

Due to continuous improvements and innovations, specifications may change without notice.

Item	Specification	Details	
Electrical	Input Voltage	100 – 240 VAC, auto-switching, 50 / 60 Hz	
	Maximum Input Current	6 A at 100 VAC, 5 A at 120 VAC, 2.5 A at 240 VAC	
	Power Output	24 VDC, 480 W (60 W per power port)	
	Fuse Rating	(8) 4 A, 125 V, 5 x 20 fast blow fuses	
Physical	Dimensions (Height x Width x Depth)	3.5 x 19 x 18 in (89 x 483 x 457 mm)	
	Weight	26.5 lb (12 kg)	
	Construction	2U rack and surface-mountable aluminum chassis	
	Finish	Black matte	
	Connectors	Data	RJ-45 input connector
		Power Output	(8) 4-pin output receptacles
		Power Input	IEC 320 receptacle type C13, locking clamp
	Temperature Ranges	14° – 122° F (-10° – 50° C) Operating 14° – 122° F (-10° – 50° C) Startup -40° – 176° F (-40° – 80° C) Storage	
	Humidity	0 – 95%, non-condensing	
	Cooling	(2) speed-configurable fans, with serviceable air filters	
	Airflow	Front panel input, back panel output	
	Heat Dissipation	25% of total power input	
	Data Input Source	Philips full range of Ethernet controllers, or KiNET-compatible* third-party Ethernet controllers	
Certification and Safety	Certification	UL / cUL, FCC Class A, CE, PSE	
	Classification	UL Class 2 power supply	
	Environment	Dry Location, IP20	

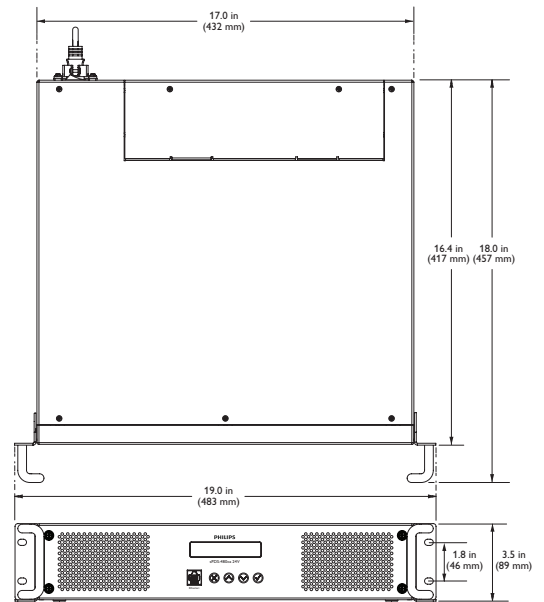
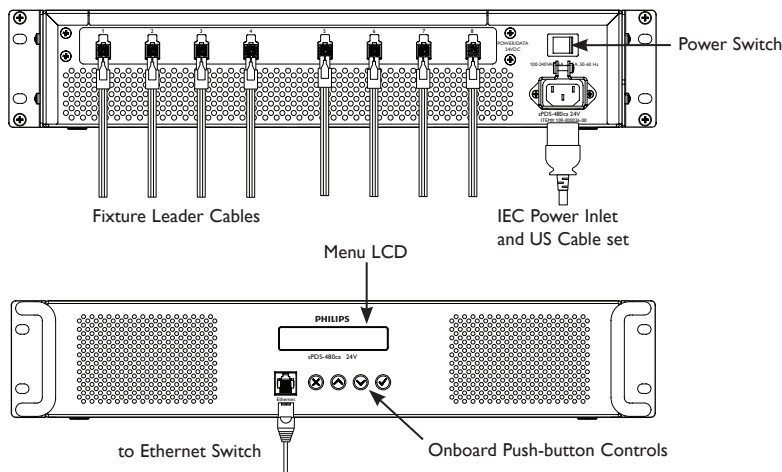
* KiNET is the Ethernet lighting protocol from Philips Color Kinetics.



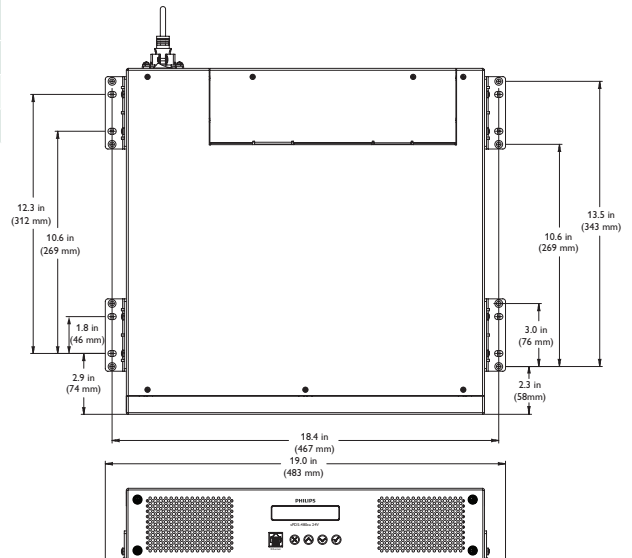
Ordering Information

Item	Included Components	Item Number	Philips 12NC
sPDS-480ca 24 V	Power / data supply, IEC power cord, rack mount brackets, surface mount brackets, and Installation Instructions	109-000026-00	910503700110

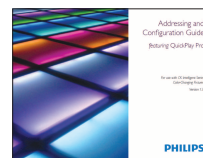
Use Item Number when ordering in North America.



Dimensions: Rack Mount Configuration



Dimensions: Surface Mount Configuration



For complete instructions detailing sPDS-480ca 24V onboard controls and menus, refer to the *Addressing and Configuration Guide* available online at www.philipscolorkinetics.com/support/addressing/



Philips Color Kinetics
3 Burlington Woods Drive
Burlington, Massachusetts 01803 USA
Tel 888.385.5742
Tel 617.423.9999
Fax 617.423.9998
www.philipscolorkinetics.com

Copyright © 2009 – 2012 Philips Solid-State Lighting Solutions, Inc. All rights reserved. Chromacore, Chromasic, CK, the CK logo, Color Kinetics, the Color Kinetics logo, ColorBlast, ColorBlaze, ColorBurst, eW Fuse, ColorGraze, ColorPlay, ColorReach, iW Reach, eW Reach, DIMand, EssentialWhite, eW, iColor, iColor Cove, IntelliWhite, iW, iPlayer, Optibin, and Powercore are either registered trademarks or trademarks of Philips Solid-State Lighting Solutions, Inc. in the United States and / or other countries. All other brand or product names are trademarks or registered trademarks of their respective owners. Due to continuous improvements and innovations, specifications may change without notice. DAS-000066-03 R03 07-12