



Date: \_\_\_\_\_ Type: \_\_\_\_\_

Firm Name: \_\_\_\_\_

Project: \_\_\_\_\_

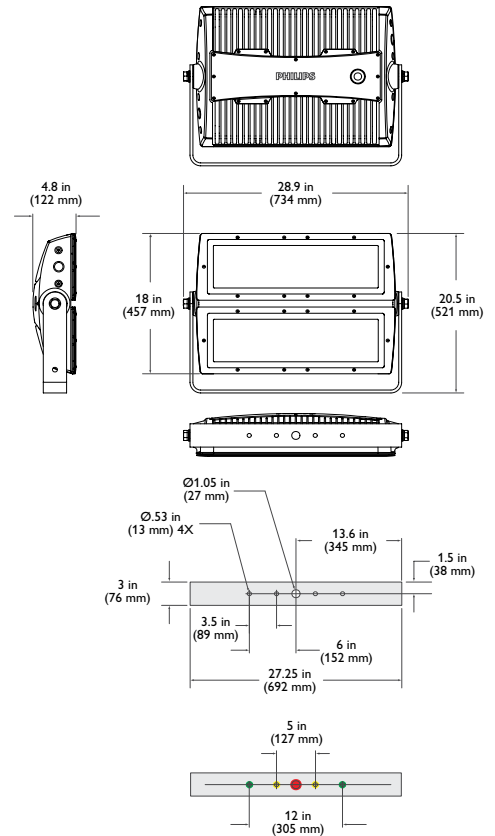
# iW Reach Powercore gen2

## 23° spread lens, UL / CE

Premium long-throw exterior LED floodlight with intelligent white light

iW Reach Powercore gen2, the intelligent white light version of our flagship, high-performance exterior architectural floodlight, outputs washes of white light in color temperatures ranging from a warm 2700 K to a cool 6500 K. iW Reach Powercore gen2 combines all the benefits of LED-based lighting in an elegant fixture specifically designed for skyscrapers, casinos, large retail exteriors, bridges, piers, public monuments, and themed attractions. With significantly more lumen output than any other competitive fixture and unprecedented light projection, this powerful fixture represents the next generation in exterior illumination.

- Unique split design — Spread lenses fit over each fixture half to support diffuser combinations. Use one spread lens on the lower half to bathe a large façade with light at street level, and a different lens to project light hundreds of feet up the building's walls.
- Integrates Powercore technology — Powercore technology rapidly, efficiently, and accurately controls power output to fixtures directly from line voltage. The Philips Color Kinetics Data Enabler Pro merges line voltage with control data and delivers them over a single standard wire, dramatically simplifying installation and lowering total system cost.
- High-performance illumination in a wide range of color temperatures — Channels of warm, neutral, and cool white LEDs produce temperatures ranging from 2700 K to 6500 K, offering the greatest possible light intensity at all temperatures. Fixture brightness can be varied while maintaining constant temperature.
- Versatile optics — Exchangeable spread lenses of 8°, 13°, 23°, 40°, 63°, and an asymmetric 5° x 17° support a multitude of applications, including spotlighting, wall grazing, and asymmetric wall washing.
- Simple fixture positioning — Rugged, slim-profile mounting bracket allows simple



positioning and fixture rotation through a full 360°. Side locking bolts reliably secure fixture with standard wrench.

- Universal power input range — Accepts a universal power input range of 100 – 277 VAC, allowing long fixture runs and consistent installation in any location around the world. Each Data Enabler Pro can support multiple fixtures for illuminating even the largest exterior façades and structures.

For detailed product information, please refer to the iW Reach Powercore gen2 Product Guide at [www.philipscolorkinetics.com/ls/intelliwhite/iwreach/](http://www.philipscolorkinetics.com/ls/intelliwhite/iwreach/)

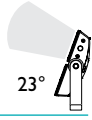


# Photometrics

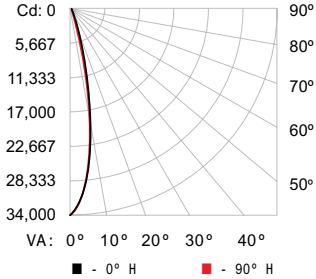
Photometric data is based on test results from an independent NIST traceable testing lab. IES data is available at [www.philipscolorkinetics.com/support/ies](http://www.philipscolorkinetics.com/support/ies).

## 23° spread lens, half unit

Lumens	Efficacy
6104	49.9 lm / W



### Polar Candela Distribution



### Illuminance at Distance

5 fc	3.1 ft	3.1 ft
4 fc	4.7 ft	4.6 ft
1 fc	6.3 ft	6.2 ft
4 fc	7.8 ft	7.7 ft
8 fc	9.4 ft	9.3 ft

### Coefficients Of Utilization - Zonal Cavity Method

Effective Floor Cavity Reflectance: 20%

RCC %:	80		70		50		30		10		0								
RW %:	70	50	30	0	70	50	30	0	50	30	20	0							
RCR:	0	119	119	119	119	116	116	116	100	111	111	111	106	106	106	102	102	102	100
	1	115	112	110	109	112	110	109	96	106	105	104	103	102	101	99	98	98	96
	2	111	107	104	101	109	105	103	93	102	100	98	99	98	96	97	95	94	93
	3	107	103	99	96	106	101	98	90	99	96	94	96	94	92	94	92	91	90
	4	104	99	95	92	103	98	94	86	96	92	90	94	91	89	92	90	88	87
	5	101	95	91	88	100	94	91	85	93	89	87	91	88	86	90	87	85	84
	6	98	92	88	85	97	91	88	83	90	87	84	89	86	84	88	85	83	82
	7	96	89	85	82	95	89	85	81	88	84	82	87	84	81	86	83	81	80
	8	93	87	83	80	92	86	83	79	85	82	80	85	82	79	84	81	79	78
	9	91	85	81	78	90	84	80	77	83	80	78	83	80	77	82	79	77	76
	10	89	82	79	76	88	82	78	75	81	78	76	81	78	75	80	77	75	74

### Zonal Lumen

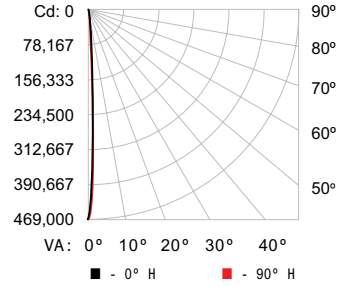
Zone	Lumens	% Fixture
0 - 60	5981.3	98.0 %
60 - 90	123.0	2.0 %
0 - 90	6104.3	100.0 %

## 5° native (no spread lens), half unit

Lumens	Efficacy
6710	56.7 lm / W



### Polar Candela Distribution



### Illuminance at Distance

	Center Beam fc	Beam Width
4 ft	29,254 fc	0.4 ft 0.4 ft
8 ft	7,313. fc	0.9 ft 0.8 ft
12 ft	3,250 fc	1.3 ft 1.2 ft
16 ft	1,828 fc	1.7 ft 1.6 ft
20 ft	1,170 fc	2.2 ft 2.0 ft
24 ft	813 fc	2.6 ft 2.4 ft

685 ft (208.8 m)      Vert. Spread: 6.2°  
1 fc maximum distance      Horiz. Spread: 5.7°

### Coefficients Of Utilization - Zonal Cavity Method

Effective Floor Cavity Reflectance: 20%

RCC %:	80		70		50		30		10		0								
RW %:	70	50	30	0	70	50	30	0	50	30	20	0							
RCR:	0	119	119	119	119	116	116	116	100	111	111	111	106	106	106	102	102	102	100
	1	116	114	112	110	113	111	110	98	108	106	105	104	103	102	101	100	99	98
	2	113	109	107	105	111	108	105	96	105	103	101	102	100	99	99	98	97	96
	3	110	106	103	101	108	105	102	95	102	100	98	100	98	97	98	97	95	94
	4	108	103	100	98	106	102	99	93	100	98	96	99	97	95	97	95	94	93
	5	106	101	98	95	104	100	97	92	99	96	94	97	95	93	96	94	93	92
	6	104	99	96	93	103	98	95	91	97	95	93	96	94	92	95	93	92	91
	7	102	97	94	92	101	97	94	90	96	93	91	95	93	91	94	92	91	90
	8	101	96	93	91	100	95	93	89	95	92	90	94	92	90	93	91	90	89
	9	99	95	92	90	99	94	91	89	94	91	89	93	91	89	92	90	89	88
	10	98	93	91	89	98	93	90	88	93	90	88	92	90	88	91	89	88	87

### Zonal Lumen

Zone	Lumens	% Fixture
0 - 60	6580.4	98.1 %
60 - 90	130.0	1.9 %
0 - 90	6710.4	100.0 %

## Specifications

Due to continuous improvements and innovations, specifications may change without notice.

Item	Specification	Details
	Color Temperature*	2700 K – 6500 K
	Lumens†	6104 (half unit)
	Efficacy (lm / W)	49.9 (half unit)
	CRI	79 (no spread lens, full unit)
Electrical	Input Voltage	100 – 277 VAC, auto-switching, 50 / 60 Hz
	Power Consumption	250 W maximum at full output, steady state
	Power Factor	.99 (no spread lens, full unit, all channels full on) @ 120 VAC
Control	Interface	Data Enabler Pro (DMX / Ethernet)
	Control System	Philips Color Kinetics full range of controllers, including Light System Manager, iPlayer 3, and ColorDial Pro, or third-party controllers
Physical	Dimensions (Height x Width x Depth)	20.5 x 28.9 x 4.8 in (521 x 734 x 122 mm)
	Weight	75 lb (34 kg)
	Effective Projected Area (EPA)	0.42 m <sup>2</sup>
	Housing	Die-cast aluminium, powder-coated finish
	Lens	Tempered glass
	Fixture Connections	Integral male / female waterproof connector, 6 ft (1.8 m) unified power / data cable
	Temperature Ranges	-40° – 122° F (-40° – 50° C) Operating -4° – 122° F (-20° – 50° C) Startup -40° – 176° F (-40° – 80° C) Storage
	Humidity	0 – 95%, non-condensing
Certification and Safety	Certification	UL / cUL, FCC Class A, CE, PSE
	Environment	Dry / Damp / Wet Location, IP66

\* Color temperatures conform to nominal CCTs as defined in ANSI Chromaticity Standard C78.

† Lumen measurement complies with IES LM-79-08 testing procedures.



CHROMACORE<sup>®</sup> | OPTIBIN<sup>®</sup> | POWERCORE<sup>®</sup>  
CK TECHNOLOGY | CK TECHNOLOGY | CK TECHNOLOGY

## Lumen Maintenance

Threshold*	Ambient Temperature	Reported†	Calculated†
L90	@ 25°C	42,000 hrs	84,000 hrs
	@ 50°C	42,000 hrs	48,000 hrs
L80	@ 25°C	42,000 hrs	>100,000 hrs
	@ 50°C	42,000 hrs	>100,000 hrs
L70	@ 25°C	42,000 hrs	>100,000 hrs
	@ 50°C	42,000 hrs	>100,000 hrs

\* L<sub>xx</sub> = xx% lumen maintenance (when light output drops below xx% of initial output). All values are given at B50, or the median value where 50% of the LED population is better than the reported or calculated lumen maintenance measurement.

† Lumen maintenance figures are based on lifetime prediction graphs supplied by LED source manufacturers. Whenever possible, figures use measurements that comply with IES LM-80-08 testing procedures.

In accordance with TM-21-11, Reported values represent the interpolated value based on six times the LM-80-80 total test duration (in hours). Calculated values represent time durations that exceed six times the total test duration.

## Fixtures and Accessories

Item	Type	Item Number	Philips 12NC	
iW Reach Powercore gen2 <i>Includes 3.0 m (10 ft) leader cable</i>	UL / cUL	523-000094-00	912400130189	
	CE / PSE	523-000094-01	912400130222	
Replacement Leader Cable	UL	3.0 m (10 ft)	108-000055-03	910503704066
		15.2 m (50 ft)	108-000055-00	910503703137
	CE	3.0 m (10 ft)	108-000055-04	910503704067
		15.2 m (50 ft)	108-000055-01	910503704064
Spread Lens with bezel	13°	120-000068-00	910503700506	
	23°	120-000068-01	910503700507	
	40°	120-000068-02	910503700508	
	63°	120-000068-03	910503700509	
	Asymmetric (5° x 17°)	120-000068-04	910503700510	
	8°	120-000068-05	910503700511	
Data Enabler Pro	3/4 in / 1/2 in NPT (U.S. trade size conduit)	106-000004-00	910503701210	
	PG21 / PG13 (metric size conduit)	106-000004-01	910503701211	

Use Item Number when ordering in North America.



Philips Color Kinetics  
 3 Burlington Woods Drive  
 Burlington, Massachusetts 01803 USA  
 Tel 888.385.5742  
 Tel 617.423.9999  
 Fax 617.423.9998  
[www.philipscolorkinetics.com](http://www.philipscolorkinetics.com)

Copyright © 2009 – 2014 Philips Solid-State Lighting Solutions, Inc. All rights reserved.  
 Chromacore, Chromasic, CK, the CK logo, Color Kinetics, the Color Kinetics logo, ColorBlast, ColorBlaze, ColorBurst, eW Fuse, ColorGraze, ColorPlay, ColorReach, iW Reach, eW Reach, DiMand, EssentialWhite, eW, iColor, iColor Cove, IntelliWhite, iW, iPlayer, Optibin, and Powercore are either registered trademarks or trademarks of Philips Solid-State Lighting Solutions, Inc. in the United States and / or other countries. All other brand or product names are trademarks or registered trademarks of their respective owners. Due to continuous improvements and innovations, specifications may change without notice. DAS-000030-04 R06 8-14