



Date: \_\_\_\_\_ Type: \_\_\_\_\_

Firm Name: \_\_\_\_\_

Project: \_\_\_\_\_

# iW Reach Compact Powercore

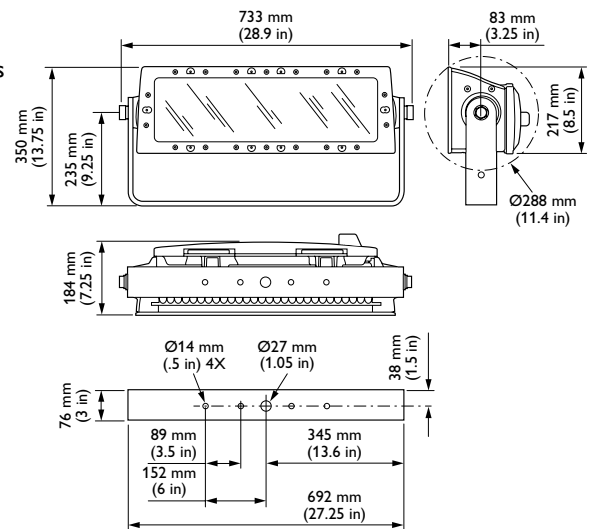
## 23° spread lens, UL / CE

Premium long-throw compact exterior LED floodlight with intelligent white light

iW Reach Compact Powercore combines all the benefits of LED-based lighting and control in a compact fixture specifically designed for large-scale installations, such as skyscrapers, casinos, bridges, piers, public monuments, and themed attractions. iW Reach Compact Powercore combines channels of warm, neutral, and cool LED sources to offer high-quality variable white light in color temperatures ranging from 2700 K – 6500 K. iW Reach Compact Powercore delivers intense, energy-efficient output at a reasonable price, opening up new possibilities for exterior illumination.

- Integrates Powercore technology — Powercore technology rapidly, efficiently, and accurately controls power output to fixtures directly from line voltage. Philips Data Enabler Pro merges line voltage and control data and delivers them to fixtures over a single standard cable, dramatically simplifying installation and lowering total system cost.
- High-performance illumination in a wide range of color temperatures — Channels of warm, neutral, and cool white LEDs produce temperatures ranging from 2700 K to 6500 K, offering the greatest possible light intensity at all temperatures. Fixture brightness can be varied while maintaining constant temperature.
- Intense light output — Outputs thousands of lumens and throws light hundreds of feet, delivering legitimate LED-based white-light illumination of large-scale structures and objects in a compact, fully-sealed housing.
- Superior color consistency — Optibin, a proprietary binning optimization process developed by Philips Color Kinetics, guarantees consistency of hue across LEDs, fixtures, and manufacturing runs.

- Versatile optics — Exchangeable spread lenses of 8°, 13°, 23°, 40°, 63°, and an asymmetric 5° x 17° support a variety of photometric distributions for applications including spotlighting, wall grazing, and asymmetric wall washing. Bezel and gasket are included with spread lenses for easy user installation.
- High-performance, cost-effective light — Significantly less cost to install, operate, and maintain than traditional light sources.
- Simple fixture positioning — Rugged, slim-profile mounting bracket allows simple positioning and fixture rotation through a full 360°. Side locking bolts reliably secure fixture with a standard wrench.



- Universal power input range — Accepts a universal power input range of 100 – 277 VAC, allowing consistent installation in any location around the world.

For detailed product information, please refer to the iW Reach Compact Powercore Product Guide at [www.philipscolorkinetics.com/ls/intelliwhite/iwreachcompact/](http://www.philipscolorkinetics.com/ls/intelliwhite/iwreachcompact/)



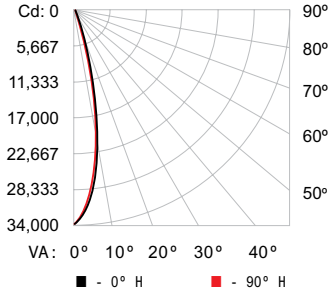
# Photometrics

## 23° spread lens

Lumens	6065
Efficacy	48.5 lm / W

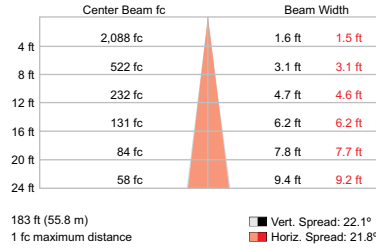


### Polar Candela Distribution



	0	25	45	70	90
0	33407	33407	33407	33407	33407
5	28502	27762	27204	26804	26803
15	9252	8513	8001	7648	7614
25	1209	1040	928	862	860
35	193	178	167	163	166
45	103	98	94	92	95
55	70	67	64	63	63
65	52	50	48	46	45
75	39	38	35	34	33
85	30	29	29	29	29
90	29	29	29	29	29

### Illuminance at Distance



### Coefficients Of Utilization - Zonal Cavity Method

Effective Floor Cavity Reflectance: 20%

RCC %:	80		70		50		30		10		0							
RW %:	70	50	30	0	70	50	30	0	50	30	20	50	30	20	0			
RCR: 0	119	119	119	119	116	116	116	100	111	111	111	106	106	106	102	102	102	100
1	115	112	110	109	112	110	109	96	106	105	104	103	102	101	99	98	98	96
2	111	107	104	101	109	105	103	93	102	100	98	99	98	96	97	95	94	93
3	107	103	99	96	106	101	98	90	99	96	94	97	94	92	94	93	91	90
4	104	99	95	92	103	98	94	88	96	93	90	94	91	89	92	90	88	87
5	101	95	91	88	100	94	91	85	93	89	87	91	88	86	90	87	86	84
6	98	92	88	85	97	91	88	83	90	87	84	89	86	84	88	85	83	82
7	96	89	85	82	95	89	85	81	88	84	82	87	84	81	86	83	81	80
8	93	87	83	80	92	86	83	79	86	82	80	85	82	79	84	81	79	78
9	91	85	81	78	90	84	80	77	83	80	78	83	80	77	82	79	77	76
10	89	82	79	76	88	82	78	75	81	78	76	81	78	76	80	77	75	75

### Zonal Lumen

Zone	Lumens	% Fixture
0 - 60	5944.0	98.0 %
60 - 90	120.8	2.0 %
0 - 90	6064.8	100.0 %

For lux multiply fc by 10.7

## Specifications

Due to continuous improvements and innovations, specifications may change without notice.

Item	Specification	Details
Output	Color Temperature*	2700 K – 6500 K
	Lumens†	6065
	Efficacy (lm / W)	48.5
	CRI	79 (no spread lens, all channels full on)
Electrical	Input Voltage	100 – 277 VAC, auto-switching, 50 / 60 Hz
	Power Consumption	125 W
	Power Factor	.992 (no spread lens, all channels full on) @ 120 VAC
Control	Interface	Data Enabler Pro (DMX / Ethernet)
	Control System	Philips Color Kinetics full range of controllers, including Light System Manager, iPlayer 3, and ColorDial Pro, or third-party controllers
Physical	Dimensions (Height x Width x Depth)	8.5 x 28.9 x 7.7 in (217 x 733 x 196 mm)
	Weight	51 lb (23 kg)
	Effective Projected Area (EPA)	0.186 m <sup>2</sup>
	Housing	Die-cast aluminium, powder-coated finish
	Lens	Tempered glass
	Fixture Connections	Integral male / female waterproof connector, 6 ft (1.8 m) unified power / data cable
	Temperature Ranges	-40° – 122° F (-40° – 50° C) Operating -4° – 122° F (-20° – 50° C) Startup -40° – 176° F (-40° – 80° C) Storage
	Humidity	0 – 95%, non-condensing
Certification and Safety	Certification	UL / cUL, FCC Class A, CE, PSE
	Environment	Dry / Damp / Wet Location, IP66

\* Color temperatures conform to nominal CCTs as defined in ANSI Chromaticity Standard C78.

† Lumen measurement complies with IES LM-79-08 testing procedures.



CHROMACORE<sup>®</sup> | OPTIBIN<sup>®</sup> | POWERCORE<sup>®</sup>  
CK TECHNOLOGY | CK TECHNOLOGY | CK TECHNOLOGY

## Lumen Maintenance

Threshold*	Ambient Temperature	Reported†	Calculated†
L90	@ 25°C	42,000 hrs	84,000 hrs
	@ 50°C	42,000 hrs	48,000 hrs
L80	@ 25°C	42,000 hrs	>100,000 hrs
	@ 50°C	42,000 hrs	>100,000 hrs
L70	@ 25°C	42,000 hrs	>100,000 hrs
	@ 50°C	42,000 hrs	>100,000 hrs

\* L<sub>xx</sub> = xx% lumen maintenance (when light output drops below xx% of initial output). All values are given at B50, or the median value where 50% of the LED population is better than the reported or calculated lumen maintenance measurement.

† Lumen maintenance figures are based on lifetime prediction graphs supplied by LED source manufacturers. Whenever possible, figures use measurements that comply with IES LM-80-08 testing procedures.

In accordance with TM-21-11, Reported values represent the interpolated value based on six times the LM-80-80 total test duration (in hours). Calculated values represent time durations that exceed six times the total test duration.

## Fixtures and Data Enabler Pro

Item	Type	Item Number	Philips 12NC
iW Reach Compact Powercore <i>Includes 3.0 m (10 ft) leader cable</i>	UL / cUL	523-000096-00	912400130189
	CE / PSE	523-000096-01	912400130234
Data Enabler Pro	3/4 in / 1/2 in NPT (U.S. trade size conduit)	106-000004-00	910503701210
	PG21 / PG13 (metric size conduit)	106-000004-01	910503701211

Use Item Number when ordering in North America.

## Accessories

Item	Type	Item Number	Philips 12NC	
Replacement Leader Cable 6 ft (1.8 m)	UL	3.0 m (10 ft)	108-000055-03	910503704066
		15.2 m (50 ft)	108-000055-00	910503703137
	CE	3.0 m (10 ft)	108-000055-04	910503704067
		15.2 m (50 ft)	108-000055-01	910503704064
Spread Lens with bezel	13°	120-000068-00	910503700506	
	23°	120-000068-01	910503700507	
	40°	120-000068-02	910503700508	
	63°	120-000068-03	910503700509	
	Asymmetric (5° x 17°)	120-000068-04	910503700510	
	8°	120-000068-05	910503700511	

Use Item Number when ordering in North America.



Philips Color Kinetics  
3 Burlington Woods Drive  
Burlington, Massachusetts 01803 USA  
Tel 888.385.5742  
Tel 617.423.9999  
Fax 617.423.9998  
[www.philipscolorkinetics.com](http://www.philipscolorkinetics.com)

Copyright © 2014 Philips Solid-State Lighting Solutions, Inc. All rights reserved.  
Chromacore, Chromasic, CK, the CK logo, Color Kinetics, the Color Kinetics logo, ColorBlast, ColorBlaze, ColorBurst, eW Fuse, ColorGraze, ColorPlay, ColorReach, iW Reach, eW Reach, DiMand, EssentialWhite, eW, iColor, iColor Cove, IntelliWhite, iW, iPlayer, Optibin, and Powercore are either registered trademarks or trademarks of Philips Solid-State Lighting Solutions, Inc. in the United States and / or other countries. All other brand or product names are trademarks or registered trademarks of their respective owners. Due to continuous improvements and innovations, specifications may change without notice. DAS-000139-04 R00 08-14