



Date: _____ Type: _____

Firm Name: _____

Project: _____

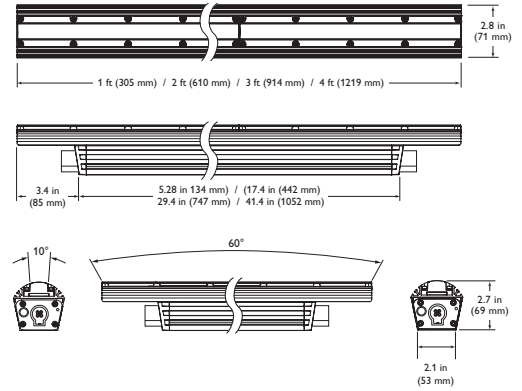
iW Graze MX Powercore

10° x 60° beam angle

Premium linear exterior LED wall grazing fixture with intelligent white light

iW Graze MX Powercore features the most light output in our line of intelligent white light grazing fixtures for high-intensity multi-story façade and surface illumination. Featuring Powercore technology, fixtures process power directly from line voltage, eliminating the need for external power supplies. These high-performance fixtures use channels of cool, neutral, and warm white LEDs to produce color temperatures ranging from 2700 K – 6500 K. Four fixture lengths and five beam angles support a large range of façade or surface illumination applications.

For detailed product information, please refer to the iW Graze Powercore Family Product Guide at www.philipscolorkinetics.com/ls/intelligentwhite/iwgrazemxpowercore/



Specifications

Due to continuous improvements and innovations, specifications may change without notice.

Item	Specification	1 ft (305 mm)	2 ft (610 mm)	3 ft (914 mm)	4 ft (1219 mm)
Output	Lumens*	860	1720	2580	3440
	Efficacy (lm / W)	34.0			
	CRI	82			
	Lumen Maintenance‡	60,000 hours L70 @ 25° C	60,000 hours L70 @ 50° C	60,000 hours L50 @ 25° C	60,000 hours L50 @ 50° C
Electrical	Input Voltage	100 – 277 VAC, auto-ranging 50 / 60 Hz			
	Power Consumption	20 W	40 W	60 W	80 W
Control	Interface	Data Enabler Pro (DMX or Ethernet)			
	Control System	Philips Color Kinetics full range of controllers, including Light System Manager and iPlayer 3, or third-party controllers			
Physical	Dimensions (Height x Width x Depth)	2.7 x 12 x 2.8 in (69 x 305 x 71 mm)	2.7 x 24 x 2.8 in (69 x 610 x 71 mm)	2.7 x 36 x 2.8 in (69 x 914 x 71 mm)	2.7 x 48 x 2.8 in (69 x 1219 x 71 mm)
	Weight	2.1 lb (1.0 kg)	4.6 lb (2.1 kg)	7.1 lb (3.2 kg)	9.3 lb (4.2 kg)
	Housing	Extruded anodized aluminum			
	Lens	Clear polycarbonate			
	Fixture Connectors	Integral male / female waterproof connectors			
	Mounting	Multi-positional, constant torque locking hinges			
	Temperature	-40° – 122° F (-40° – 50° C) Operating -4° – 122° F (-20° – 50° C) Startup -40° – 176° F (-40° – 80° C) Storage			
	Humidity	0 – 95%, non-condensing			
	Fixture Run Lengths	To calculate fixture run lengths and total power consumption for your specific installation, download the Configuration Calculator from www.philipscolorkinetics.com/support/install_tool/			
Certification and Safety	Certification	UL / cUL, FCC Class A, CE, PSE, C-Tick			
	Environment	Dry / Damp / Wet Location, IP66			

* 1 ft (305 mm) lumen output measurements comply with IES LM-79-08 testing procedures. 2 ft (610 mm), 3 ft (914 mm), and 4 ft (1219 mm) measurements are estimated based on the 1 ft (305 mm) measurements.

‡ L70 = 70% lumen maintenance (when light output drops below 70% of initial output). L50 = 50% lumen maintenance (when light output drops below 50% of initial output). Ambient luminaire temperatures specified. Lumen maintenance calculations are based on lifetime prediction graphs supplied by LED source manufacturers. Calculations for white-light LED fixtures are based on measurements that comply with IES LM-80-08 testing procedures. Refer to www.philipscolorkinetics.com/support/appnotes/lm-80-08.pdf for more information.



PHILIPS

Fixtures

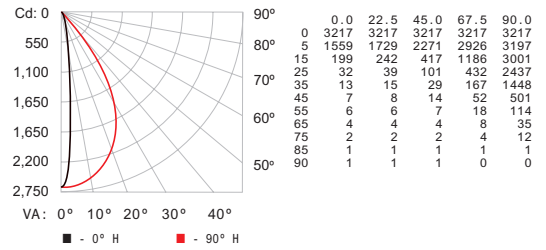
Item	Beam Angle	Item Number	Philips 12NC
iW Graze MX Powercore 1 ft (305 mm)	9° x 9°	523-000079-00	910503703151
	10° x 60°	523-000079-01	910503703645
	15° x 30°	523-000079-02	910503703646
	30° x 60°	523-000079-03	910503703647
iW Graze MX Powercore 2 ft (610 mm)	60° x 30°	523-000079-04	910503703648
	9° x 9°	523-000079-05	910503703649
	10° x 60°	523-000079-06	910503703650
	15° x 30°	523-000079-07	910503703651
iW Graze MX Powercore 3 ft (914 mm)	30° x 60°	523-000079-08	910503703652
	60° x 30°	523-000079-09	910503703653
	9° x 9°	523-000079-10	910503703654
	10° x 60°	523-000079-11	910503703655
iW Graze MX Powercore 4 ft (1219 mm)	15° x 30°	523-000079-12	910503703656
	30° x 60°	523-000079-13	910503703657
	60° x 30°	523-000079-14	910503703658
	9° x 9°	523-000079-15	910503703659
iW Graze MX Powercore 4 ft (1219 mm)	10° x 60°	523-000079-16	910503703660
	15° x 30°	523-000079-17	910503703661
	30° x 60°	523-000079-18	910503703662
	60° x 30°	523-000079-19	910503703663

Use Item Number when ordering in North America.

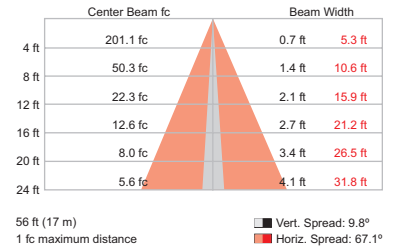
Photometrics

iW Graze MX Powercore
1 ft, 10° x 60° beam angle

Polar Candela Distribution



Illuminance at Distance



Lumens	Efficacy
860	34.0

For lux multiply fc by 10.7

Accessories

Item	Type	Item Number	Philips 12NC	
Leader Cable with Terminator	UL / cUL	10 ft (3.0 m)	108-000055-03	910503704066
		50 ft (15.2 m)	108-000055-00	910503703137
	CE / PSE	10 ft (3.0 m)	108-000055-04	910503704067
		50 ft (15.2 m)	108-000055-01	910503704064
Jumper Cable	UL / cUL	End-to-End	108-000057-00	910503703139
		1 ft (305 mm)	108-000057-03	910503704076
		5 ft (1.5 m)	108-000057-06	910503704079
	CE / PSE	10 ft (3.0 m)	108-000057-09	910503704082
		End-to-End	108-000057-01	910503704074
		1 ft (305 mm)	108-000057-04	910503704077
Glare Shield	Quantity 10	5 ft (1.5 m)	108-000057-07	910503704080
		10 ft (3.0 m)	108-000057-10	910503704083
		1 ft (305 mm)	120-000081-00	910503700745
		2 ft (610 mm)	120-000081-01	910503700746
Additional Terminators	Quantity 1	3 ft (914 mm)	120-000081-02	910503700747
		4 ft (1219 mm)	120-000081-03	910503700748
Additional Hinge	Quantity 10	120-000157-00	910503703142	
	Quantity 1	120-000098-00	910503700772	

Use Item Number when ordering in North America.



Philips Color Kinetics
3 Burlington Woods Drive
Burlington, Massachusetts 01803 USA
Tel 888.385.5742
Tel 617.423.9999
Fax 617.423.9998
www.philipscolorkinetics.com

Copyright © 2013 Philips Solid-State Lighting Solutions, Inc. All rights reserved.
Chromacore, Chromasic, CK, the CK logo, Color Kinetics, the Color Kinetics logo, ColorBlast, ColorBlaze, ColorBurst, eW Fuse, ColorGraze, ColorPlay, ColorReach, iW Reach, eW Reach, DIMand, EssentialWhite, eW, iColor, iColor Cove, IntelliWWhite, iW, iPlayer, Optibin, and Powercore are either registered trademarks or trademarks of Philips Solid-State Lighting Solutions, Inc. in the United States and / or other countries. All other brand or product names are trademarks or registered trademarks of their respective owners. Due to continuous improvements and innovations, specifications may change without notice.

DAS-000115-12 R00 04-13