



# iPlayer 3

Australia/New Zealand Power Cord

Author, configure, and control dynamic LED light shows for DMX lighting networks

iPlayer 3 controller is a compact yet powerful show storage and playback device capable of delivering light shows to installations with up to 340 unique light addresses. Packaged with ColorPlay 3 light show authoring software, iPlayer 3 is designed to add new levels of sophistication and flexibility to your lighting installations while eliminating the need for expensive lighting boards and technical programming expertise.

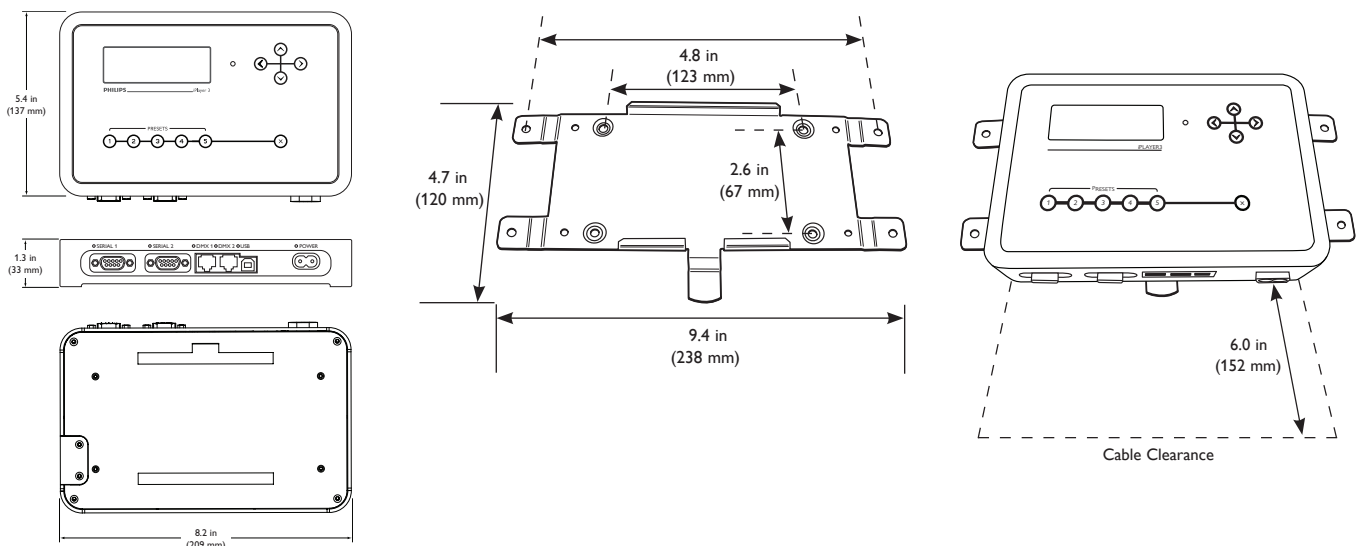
# iPlayer 3

## Author, configure, and control dynamic LED light shows for DMX lighting networks

- Easy to use—With factory preset shows, custom show-authoring capabilities, an intuitive LCD interface, removable SD card storage, and onboard light addressing features, iPlayer 3 enables you to spend more time on the creative aspects of lighting design and less time on setup.
- Packaged with ColorPlay 3 light show authoring software—ColorPlay 3 gives you the flexibility to create and manage light shows using fully customizable effects, multi-track editing, timeline layering, and transition styles.
- Designed for use with the optional Controller Keypad—Controller Keypad is a wall-mounted user interface providing instant pushbutton playback of up to eight light shows.
- Supports the optional AuxBox expansion device—AuxBox automatically triggers up to eight iPlayer 3 light shows using any remote triggering device with a dry-contact closure. Via the AuxBox, you can trigger light shows by motion sensors, third party control or sensor systems, and more.
- Control two DMX universes—iPlayer 3 has two DMX output ports, each controlling a universe of 512 DMX channels.
- Automate show playback—Set alarms to automatically trigger show playback based on a specific date, day of the week, weekdays, weekends, or an astronomical event, such as sunrise or sunset.

For detailed product information, please refer to the iPlayer 3 Product Guide at [www.colorkinetics.com/ls/controllers/iplayer3/](http://www.colorkinetics.com/ls/controllers/iplayer3/).

## Dimensions



# Specifications

Due to continuous improvements and innovations, specifications may change without notice.

## iPlayer 3, Australia/New Zealand Power Cord

### Control

Capability	2 universes of 512 DMX addresses each
Computer Interface	USB 2.0
External/Auxiliary Interface	Two DMX512 RJ45 ports Two RS-232 9-pin serial ports
Data Storage	Removable industrial grade secure digital card

### Electrical

Input Voltage	100 – 240 VAC, 50/60 Hz, 5 W
---------------	------------------------------

### Physical

Dimensions	209 x 137 x 33 mm (8.2 x 5.4 x 1.3 in)
Weight	0.5 kg (1.2 lb)
Housing	Polycarbonate
Operating Temperature	-10° – 40° C (14° – 104° F)
Humidity	0 – 95%, non-condensing

### Certification and Safety

Approbation	UL/cUL, CE, FCC Class B, CQC, C-Tick
Environment	Dry location, IP20



## Part numbers

Use Item Number when ordering in North America.

### LED Controller

	Item Number	Philips 12NC
iPlayer 3 (Australia/New Zealand Power Cord)	103-000019-03	912400135861

### Accessories

Controller Keypad, DB-9 Serial	103-000020-00	910503700223
AuxBox, DB-9 Serial	103-000021-01	910503702433

Copyright © 2016 Philips Solid-State Lighting Solutions, Inc. All rights reserved. Chromacore, Chromasic, CK, the CK logo, Color Kinetics, the Color Kinetics logo, ColorBlast, ColorBlaze, ColorBurst, ColorGraze, ColorPlay, ColorReach, iW Reach, eW Reach, DIMand, EssentialWhite, EvenBalance, eW, iColor, iColor Cove, IntelliWhite, iW, iPlayer, Optibin, and Powercore are either registered trademarks or trademarks of Philips Solid-State Lighting Solutions, Inc. in the United States and / or other countries. All other brand or product names are trademarks or registered trademarks of their respective owners. Due to continuous improvements and innovations, specifications may change without notice.  
DAS-000020-04 R00 19 Oct 2016



Philips Color Kinetics  
3 Burlington Woods Drive  
Burlington, Massachusetts 01803 USA  
Tel 888.385.5742  
Tel 617.423.9999  
Fax 617.423.9998  
www.philips.com/colorkinetics