



Date: \_\_\_\_\_ Type: \_\_\_\_\_

Firm Name: \_\_\_\_\_

Project: \_\_\_\_\_

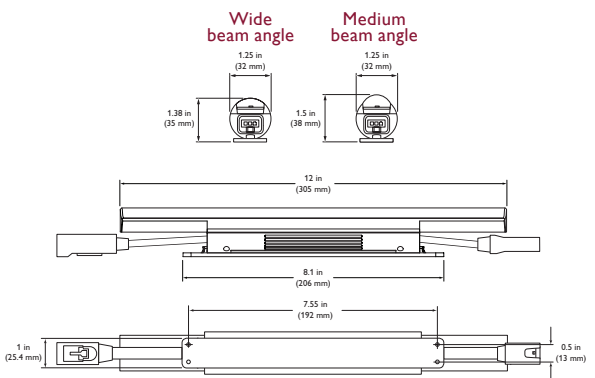
## iColor Cove QLX Powercore

Performance line-voltage LED cove and accent fixture with intelligent color light

At up to 132 lumens per foot, iColor Cove QLX Powercore compact linear LED cove fixtures deliver saturated color and dynamic effects in an economical, energy-efficient package. Wide and medium beam angles, an integrated rotating mount for precise positioning, and flexible mounting options support a wide range of backlighting, cove lighting, and accent lighting applications

- Generous light output, low power consumption — iColor Cove QLX Powercore delivers professional-grade illuminance with total light output of up to 132 lumens per foot, while consuming only 8 W per foot.
- Integrates patented Powercore technology — Powercore rapidly, efficiently, and accurately controls power output to fixtures directly from line voltage, eliminating the need for an external power supply. Contractor-friendly installation dramatically simplifies installation and lowers total system cost.
- Superior color consistency — Optibin, a proprietary binning optimization process, guarantees uniformity and consistency of hue across LEDs, fixtures, and manufacturing runs.
- Advanced color mixing — Patented Chromacore technology, pioneered by Philips Color Kinetics, enables precise control over individual LED channels to produce millions of colors and full-color, dynamic effects.
- Easy installation — Powercore delivers line voltage directly to the fixtures, simplifying installation by eliminating the need for external power supplies and allowing long product runs.

- Universal power input range — iColor Cove QLX Powercore fixtures accepts power input of 100 – 277 VAC for consistent installation anywhere in the world.
- Industry-leading controls — iColor Cove QLX Powercore fixtures works seamlessly with the complete Philips line of controllers, including ColorDial Pro, iPlayer 3, and Light System Manager, as well as third-party controllers.



- Flexible mounting and positioning — With end-to-end locking power connectors that can make 180° turns, iColor Cove QLX Powercore fixtures are easy to position in even the most challenging mounting circumstances. Fixtures rotate in 10° increments through a full 180° for precise aiming and beam mixing. Optional mounting tracks support vertical and overhead positioning. 1 ft (305 mm) and 5 ft (1.5 m) jumper cables can add extra space between fixtures.

For detailed product information, please refer to iColor Cove QLX Powercore Product Guide at [www.philipscolorkinetics.com/lc/rgb/icolorcoveqlxpowercore/](http://www.philipscolorkinetics.com/lc/rgb/icolorcoveqlxpowercore/)

**PHILIPS**

## Specifications

Due to continuous improvements and innovations, specifications may change without notice.

|                          |  |  |
|--------------------------|--|--|
| Item                     | Specification  | 1 ft (305 mm)  |
| Output                   | Lumens*  | 130 (115° x 110°) 132 (70° x 105°)   |
|                          | Lumen Maintenance†   | 30,000 hours L70 @ 50° C 45,000 hours L70 @ 25° C<br>100,000 hours L50 @ 50° C 100,000 hours L50 @ 25° C                                   |
| Electrical               | LED Channels   | Red / Green / Blue   |
|                          | Input Voltage  | 100 – 277VAC, auto-ranging, 50 / 60 Hz   |
|                          | Power Consumption  | 8 W maximum at full output, steady state   |
| Control                  | Interface  | Data Enabler Pro (DMX or Ethernet)   |
|                          | Control System   | Philips Color Kinetics full range of controllers, including Light System Manager, iPlayer 3, and ColorDial Pro, or third-party controllers |
| Physical                 | Dimensions (Height x Width x Depth)  | 1.38 x 12 x 1.25 in (35 x 305 x 32 mm) (115° x 110°)<br>1.5 x 12 x 1.25 in (38 x 305 x 32 mm) (70° x 105°)                                 |
|                          | Weight   | 6.7 oz (190 g) (115° x 110°) 7.5 oz (212 g) (70° x 105°)   |
|                          | Housing  | Injection-molded plastic, white finish   |
|                          | Lens   | Polycarbonate  |
|                          | Fixture Connections  | Integral male / female connectors  |
|                          | Temperature Ranges   | -4° – 122° F (-20° – 50° C) Operating<br>-4° – 122° F (-20° – 50° C) Startup<br>-40° – 176° F (-40° – 80° C) Storage                       |
|                          | Humidity   | 0 – 95%, non-condensing  |
| Certification and Safety | Certification  | UL / cUL, FCC Class B, CE, CSA, CQC, C-Tick  |
|                          | Environment  | Dry / Damp Location, IP20  |
| Fixture Run Lengths      | To calculate fixture run lengths and total power consumption for your specific installation, download the Configuration Calculator from <a href="http://www.philipscolorkinetics.com/support/install_tool/">www.philipscolorkinetics.com/support/install_tool/</a> |  |

\* Lumen measurement complies with IES LM-79-08 testing procedures.



† L70 = 70% lumen maintenance (when light output drops below 70% of initial output). L50 = 50% lumen maintenance (when light output drops below 50% of initial output). Ambient luminaire temperatures specified. Calculations are based on lifetime prediction graphs from LED source manufacturers. Calculations for white-light fixtures are based on measurements that comply with IES LM-80-08 testing procedures. Refer to [www.philipscolorkinetics.com/support/appnotes/lm-80-08.pdf](http://www.philipscolorkinetics.com/support/appnotes/lm-80-08.pdf) for more information.

## Fixtures and Accessories

| Item  | Type   |                     | Item Number   | Philips 12NC |
|---|--|---------------------|---------------|--------------|
| iColor Cove QLX Powercore<br>1 ft (305 mm)  | 115° x 110°                                      | UL / cUL / CE / CCC | 123-000024-00 | 910503702815 |
|   | 70° x 105°                                       | UL / cUL / CE / CCC | 123-000024-01 | 910503702816 |
| Mounting Track, White<br>1 @ 4 ft (1219 mm) | White  |                     | 120-000125-00 | 910503701788 |
|   | Black  |                     | 523-000006-01 | 910503700452 |
| Leader Cable<br>with Terminator             | 10 ft<br>(3.1 m)                                 | UL / cUL            | 108-000060-02 | 910503703201 |
|   |  | CE / CCC            | 108-000060-03 | 910503703202 |
| Jumper Cable                                | 1 ft<br>(305 mm)                                 | UL / cUL            | 108-000062-00 | 910503703257 |
|   |  | CE / CCC            | 108-000062-02 | 910503703259 |
|   | 5 ft (1.5 m)                                     | UL / cUL            | 108-000062-01 | 910503703258 |
|   |  | CE / CCC            | 108-000062-03 | 910503703260 |
| Wiring Compartment with Terminator          |  | UL / cUL            | 120-000077-03 | 910503702867 |
| Terminators, Quantity 10                    |  |                     | 120-000099-00 | 910503701120 |
| Data Enabler Pro                            | 3/4 in / 1/2 in NPT<br>(U.S. trade size conduit) |                     | 106-000004-00 | 910503701210 |
|   | PG21 / PG13<br>(metric size conduit)             |                     | 106-000004-01 | 910503701211 |

Use Item Number when ordering in North America.

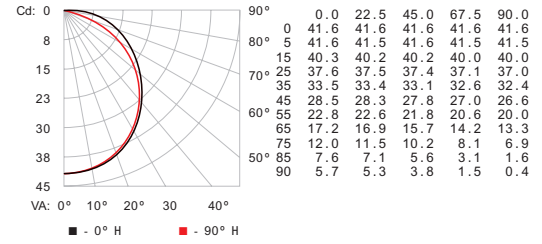


Philips Color Kinetics  
3 Burlington Woods Drive  
Burlington, Massachusetts 01803 USA  
Tel 888.385.5742  
Tel 617.423.9999  
Fax 617.423.9998  
[www.philipscolorkinetics.com](http://www.philipscolorkinetics.com)

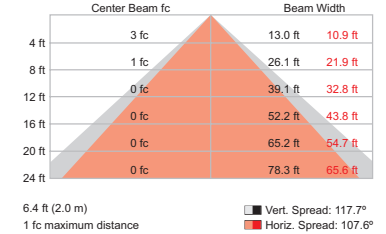
## Photometrics

115° x 110° (wide beam angle)

### Polar Candela Distribution



### Illuminance at Distance

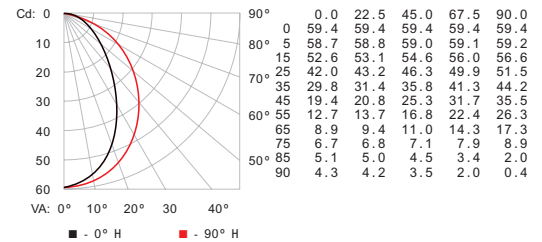


| LED | Lumens | Efficacy |
|-----|--------|----------|
| RGB | 130    | 12.1     |

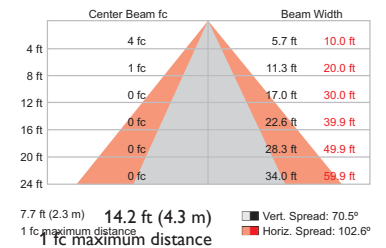
For lux multiply fc by 10.7

## 70° x 105° (medium beam angle)

### Polar Candela Distribution



### Illuminance at Distance



| LED | Lumens | Efficacy |
|-----|--------|----------|
| RGB | 132    | 12.5     |

For lux multiply fc by 10.7

Copyright © 2013 Philips Solid-State Lighting Solutions, Inc. All rights reserved.  
Chromacore, Chromasic, CK, the CK logo, Color Kinetics, the Color Kinetics logo, ColorBlast, ColorBlaze, ColorBurst, eW Fuse, ColorGraze, ColorPlay, ColorReach, iW Reach, eW Reach, DIMand, EssentialWhite, eW, iColor, iColor Cove, IntelliWhite, iW, iPlayer, Optibin, and Powercore are either registered trademarks or trademarks of Philips Solid-State Lighting Solutions, Inc. in the United States and / or other countries. All other brand or product names are trademarks or registered trademarks of their respective owners. Due to continuous improvements and innovations, specifications may change without notice.  
DAS-000105-01 R02 11-13