



Date: \_\_\_\_\_ Type: \_\_\_\_\_

Firm Name: \_\_\_\_\_

Project: \_\_\_\_\_

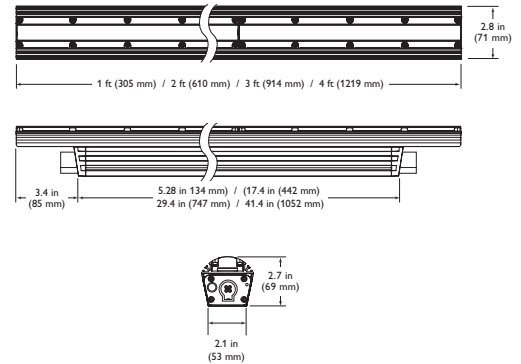
# eW Graze QLX Powercore 5W

## 2700 K, 9° x 9° beam angle

Low-power linear exterior LED wall grazing fixture with solid white light

Factory-set to consume a maximum of 5 W per foot, eW Graze QLX Powercore 5W supports ASHRAE standards, LEED green building certification, and other power-limited projects. Featuring Powercore technology, fixtures process power directly from line voltage, eliminating the need for external power supplies. Fixtures are available in standard CCTs of 2700 K, 4000 K, and 5500 K, as well as custom CCTs ranging from 3000 K to 6500 K. Multiple fixture lengths and beam angles support a large range of façade or surface illumination applications.

For detailed product information, please refer to the eW Graze Powercore Family Product Guide at [www.philipscolorkinetics.com/ls/essentialwhite/ewgrazeqlxpowercore5w/](http://www.philipscolorkinetics.com/ls/essentialwhite/ewgrazeqlxpowercore5w/)



### Specifications

Due to continuous improvements and innovations, specifications may change without notice.

Item	Specification	1 ft (305 mm)	2 ft (610 mm)	3 ft (914 mm)	4 ft (1219 mm)
Output	Lumens*	226	452	678	904
	Efficacy (lm / W)	54.3			
	CRI	82			
	Lumen Maintenance†	60,000 hours L70 @ 25° C	60,000 hours L70 @ 50° C	60,000 hours L50 @ 25° C	60,000 hours L50 @ 50° C
Electrical	Input Voltage	100 – 277 VAC, auto-ranging, 50 / 60 Hz			
	Power Consumption	5 W	10 W	15 W	20 W
Control	Dimming	Compatible with selected commercially available reverse-phase ELV-type dimmers‡			
Physical	Dimensions (Height x Width x Depth)	2.7 x 12 x 2.8 in (69 x 305 x 71 mm)	2.7 x 24 x 2.8 in (69 x 610 x 71 mm)	2.7 x 36 x 2.8 in (69 x 914 x 71 mm)	2.7 x 48 x 2.8 in (69 x 1219 x 71 mm)
	Weight	2.1 lb (1.0 kg)	4.6 lb (2.1 kg)	7.1 lb (3.2 kg)	9.3 lb (4.2 kg)
	Housing	Extruded anodized aluminum			
	Lens	Clear polycarbonate			
	Fixture Connectors	Integral male / female waterproof connectors			
	Mounting	Multi-positional, constant torque locking hinges			
	Temperature	-40° – 122° F (-40° – 50° C) Operating -4° – 122° F (-20° – 50° C) Startup -40° – 176° F (-40° – 80° C) Storage			
	Humidity	0 – 95%, non-condensing			
	Fixture Run Lengths	To calculate fixture run lengths and total power consumption for your specific installation, download the Configuration Calculator from <a href="http://www.philipscolorkinetics.com/support/install_tool/">www.philipscolorkinetics.com/support/install_tool/</a>			
	Certification and Safety	Certification	UL / cUL, FCC Class A, CE, PSE, C-Tick		
Environment		Dry / Damp / Wet Location, IP66			

\* 1 ft (305 mm) lumen output measurements comply with IES LM-79-08 testing procedures. 2 ft (610 mm), 3 ft (914 mm), and 4 ft (1219 mm) measurements are estimated based on the 1 ft (305 mm) measurements.

† L70 = 70% lumen maintenance (when light output drops below 70% of initial output). L50 = 50% lumen maintenance (when light output drops below 50% of initial output). Ambient luminaire temperatures specified. Lumen maintenance calculations are based on lifetime prediction graphs supplied by LED source manufacturers. Calculations for white-light LED fixtures are based on measurements that comply with IES LM-80-08 testing procedures. Refer to [www.philipscolorkinetics.com/support/appnotes/lm-80-08.pdf](http://www.philipscolorkinetics.com/support/appnotes/lm-80-08.pdf) for more information.

‡ Refer to [www.philipscolorkinetics.com/support/appnotes/](http://www.philipscolorkinetics.com/support/appnotes/) for more information.



# PHILIPS

## Fixtures

Item	Beam Angle	2700 K		4000 K		5500 K	
		Item Number	Philips 12NC	Item Number	Philips 12NC	Item Number	Philips 12NC
eW Graze QLX Powercore 5W 1 ft (305 mm)	9° x 9°	523-000086-00	910503704061	523-000086-01	910503703838	523-000086-02	910503703839
	10° x 60°	523-000086-03	910503703840	523-000086-04	910503703841	523-000086-05	910503703842
	15° x 30°	523-000086-06	910503703843	523-000086-07	910503703844	523-000086-08	910503703845
	30° x 60°	523-000086-09	910503703846	523-000086-10	910503703847	523-000086-11	910503703848
	60° x 30°	523-000086-12	910503703849	523-000086-13	910503703850	523-000086-14	910503703851
eW Graze QLX Powercore 5W 2 ft (610 mm)	9° x 9°	523-000086-15	910503703852	523-000086-16	910503703853	523-000086-17	910503703854
	10° x 60°	523-000086-18	910503703855	523-000086-19	910503703856	523-000086-20	910503703857
	15° x 30°	523-000086-21	910503703858	523-000086-22	910503703859	523-000086-23	910503703860
	30° x 60°	523-000086-24	910503703861	523-000086-25	910503703862	523-000086-26	910503703863
	60° x 30°	523-000086-27	910503703864	523-000086-28	910503703865	523-000086-29	910503703866
eW Graze QLX Powercore 5W 3 ft (914 mm)	9° x 9°	523-000086-30	910503703867	523-000086-31	910503703868	523-000086-32	910503703869
	10° x 60°	523-000086-33	910503703870	523-000086-34	910503703871	523-000086-35	910503703872
	15° x 30°	523-000086-36	910503703873	523-000086-37	910503703874	523-000086-38	910503703875
	30° x 60°	523-000086-39	910503703876	523-000086-40	910503703877	523-000086-41	910503703878
	60° x 30°	523-000086-42	910503703879	523-000086-43	910503703880	523-000086-44	910503703881
eW Graze QLX Powercore 5W 4 ft (1219 mm)	9° x 9°	523-000086-45	910503703882	523-000086-46	910503703883	523-000086-47	910503703884
	10° x 60°	523-000086-48	910503703885	523-000086-49	910503703886	523-000086-50	910503703887
	15° x 30°	523-000086-51	910503703888	523-000086-52	910503703889	523-000086-53	910503703890
	30° x 60°	523-000086-54	910503703891	523-000086-55	910503703892	523-000086-56	910503703893
	60° x 30°	523-000086-57	910503703894	523-000086-58	910503703895	523-000086-59	910503703896

Use Item Number when ordering in North America.

## Accessories

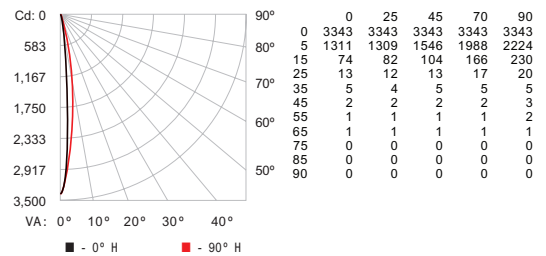
Item	Type		Item Number	Philips 12NC
Leader Cable with Terminator	UL / cUL	10 ft (3.0 m)	108-000056-03	910503704071
		50 ft (15.2 m)	108-000056-00	910503703138
	CE / PSE	10 ft (3.0 m)	108-000056-04	910503704072
		50 ft (15.2 m)	108-000056-01	910503704069
Jumper Cable	UL / cUL	End-to-End	108-000057-00	910503703139
		1 ft (305 mm)	108-000057-03	910503704076
		5 ft (1.5 m)	108-000057-06	910503704079
		10 ft (3.0 m)	108-000057-09	910503704082
	CE / PSE	End-to-End	108-000057-01	910503704074
		1 ft (305 mm)	108-000057-04	910503704077
		5 ft (1.5 m)	108-000057-07	910503704080
		10 ft (3.0 m)	108-000057-10	910503704083
Glare Shield		1 ft (305 mm)	120-000081-00	910503700745
		2 ft (610 mm)	120-000081-01	910503700746
		3 ft (914 mm)	120-000081-02	910503700747
		4 ft (1219 mm)	120-000081-03	910503700748
Additional Terminators		Quantity 10	120-000157-00	910503703142
Additional Hinge		Quantity 1	120-000098-00	910503700772

Use Item Number when ordering in North America.

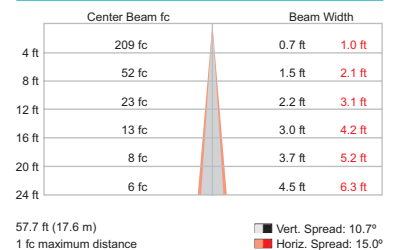
## Photometrics

eW Graze QLX Powercore 5W  
2700 K, 1 ft, 9° x 9° beam angle

### Polar Candela Distribution



### Illuminance at Distance



**DIMAND** | **OPTIBIN** | **POWERCORE**  
CKTECHNOLOGY | CKTECHNOLOGY | CKTECHNOLOGY



Philips Color Kinetics  
3 Burlington Woods Drive  
Burlington, Massachusetts 01803 USA  
Tel 888.385.5742  
Tel 617.423.9999  
Fax 617.423.9998  
www.philipscolorkinetics.com

Copyright © 2013 Philips Solid-State Lighting Solutions, Inc. All rights reserved.  
Chromacore, Chromasic, CK, the CK logo, Color Kinetics, the Color Kinetics logo, ColorBlast, ColorBlaze, ColorBurst, eW Fuse, ColorGraze, ColorPlay, ColorReach, iW Reach, eW Reach, DIMand, EssentialWhite, eW, iColor, iColor Cove, IntelliWhite, iW, iPlayer, Optibin, and Powercore are either registered trademarks or trademarks of Philips Solid-State Lighting Solutions, Inc. in the United States and / or other countries. All other brand or product names are trademarks or registered trademarks of their respective owners. Due to continuous improvements and innovations, specifications may change without notice.

Lumens	Efficacy
226	54.3 lm / W

For lux multiply fc by 10.7

DAS-000117-41 R00 10-13