



Date: \_\_\_\_\_ Type: \_\_\_\_\_

Firm Name: \_\_\_\_\_

Project: \_\_\_\_\_

# eW Blast Powercore

4000 K, 10° clear lens

The world's leading exterior LED wash fixture with solid white light

eW Blast Powercore is an LED lighting fixture providing a high-intensity wash of white light while consuming less energy than comparable non-LED light fixtures. Rated for outdoor use, eW Blast Powercore offers the efficiency and cost-effectiveness of Powercore technology in a rugged die-cast aluminum housing. eW Blast Powercore is ideal for applications as diverse as highlighting architectural features, general site illumination, and lighting signage and retail spaces.

- Supports new applications for white light — Long useful source life can significantly reduce or eliminate maintenance problems, allowing the use of white lighting in spaces where lamp maintenance may be impossible.

- High-intensity, energy-efficient white light — Offers high-intensity illumination at a significantly lower power draw than comparable non-LED fixtures.
- Versatile lighting options — Available in four beam angles: 10°, 21°, 36°, and 83° (no optic). Housing available in white or black.
- Dimming capability — Patented DIMand technology offers smooth dimming capability with selected commercially available reverse-phase ELV-type dimmers.

For detailed product information, please refer to the eW Blast Powercore Product Guide at [www.philipscolorkinetics.com/ls/essentialwhite/ewblast/](http://www.philipscolorkinetics.com/ls/essentialwhite/ewblast/)

## Specifications

Due to continuous improvements and innovations, specifications may change without notice.

|                          | Specification                       | 10° clear lens, 4000 K*  |
|--------------------------|-------------------------------------|--|
|                          | Lumens†                             | 2390   |
|                          | Efficacy (lm / W)                   | 45.9   |
|                          | CRI                                 | 82   |
|                          | Mixing Distance                     | 6 in (152 mm) to uniform light   |
|                          | Lumen Maintenance‡                  | 70,000 hours L70 @ 25° C 37,000 hours L70 @ 50° C 90,000 hours L50 @ 25° C 68,000 hours L50 @ 50° C  |
| Electrical               | Input Voltage                       | 100 / 120 / 240 / 277 VAC, auto-switching, 50 / 60 Hz  |
|                          | Power Consumption                   | 50 W maximum at full output, steady state  |
|                          | Power Factor                        | .98 @ 120 VAC  |
| Control                  | Dimming                             | Compatible with selected commercially available reverse-phase ELV-type dimmers§  |
| Physical                 | Dimensions (Height x Width x Depth) | 7.1 x 12.5 x 4.9 in (180 x 318 x 124 mm)   |
|                          | Weight                              | 6.4 lb (2.9 kg)  |
|                          | Housing                             | Die-cast aluminium, white or black powder-coated finish  |
|                          | Lens                                | Clear tempered glass (10° and 83° beam angles) Frosted tempered glass (21° and 36° beam angles)  |
|                          | Fixture Connections                 | 6 ft (1.8 m) unified power / data cable  |
|                          | Temperature Ranges                  | -40° – 122° F (-40° – 50° C) Operating -4° – 122° F (-20° – 50° C) Startup -40° – 176° F (-40° – 80° C) Storage  |
|                          | Fixture Run Lengths                 | To calculate fixture run lengths and total power consumption for your specific installation, download the Configuration Calculator from <a href="http://www.philipscolorkinetics.com/support/install_tool/">www.philipscolorkinetics.com/support/install_tool/</a> |
| Certification and Safety | Humidity                            | 0 – 95%, non-condensing  |
|                          | Certification                       | UL / cUL, FCC Class B, CE  |
|                          | Environment                         | Dry / Damp / Wet Location, IP66  |

\* Correlated color temperature (CCT) complies with ANSI C78.377-2008 for the chromaticity of solid state lighting products.

† Lumen measurement complies with IES LM-79-08 testing procedures.

‡ L70 = 70% lumen maintenance (when light output drops below 70% of initial output). L50 = 50% lumen maintenance (when light output drops below 50% of initial output). Ambient luminaire temperatures specified. Lumen maintenance calculations are based on lifetime prediction graphs supplied by LED source manufacturers. Calculations for white-light LED fixtures are based on measurements that comply with IES LM-80-08 testing procedures. Refer to [www.philipscolorkinetics.com/support/appnotes/](http://www.philipscolorkinetics.com/support/appnotes/) for more information.

§ Refer to [www.philipscolorkinetics.com/support/appnotes/](http://www.philipscolorkinetics.com/support/appnotes/) for more information.

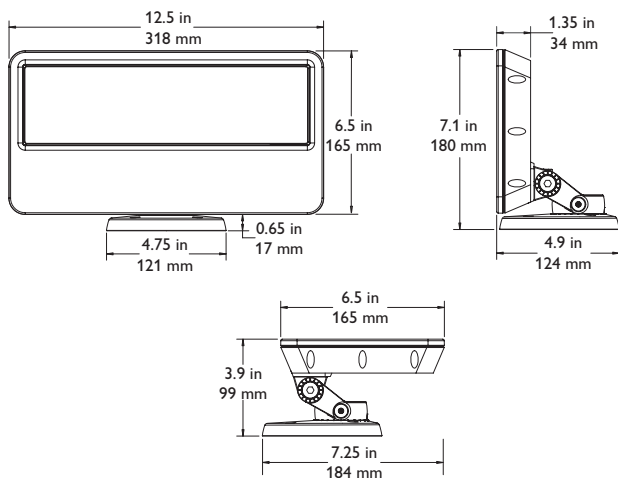


**PHILIPS**

## Fixtures

| Item                                     | Housing Color                            | Lens                                     | Item Number   | Philips 12NC     |
|--|--|--|---------------|------------------|
| eW Blast Powercore<br>2700 K<br>UL / cUL | White                                    | 10° (clear lens)                         | 523-000069-00 | 910503702322     |
|  |  | 21° (frosted lens)                       | 523-000069-02 | 910503702365     |
|  |  | 36° (frosted lens)                       | 523-000069-04 | 910503702367     |
|  |  | 83° (no optic)                           | 523-000069-06 | 910503702369     |
|  | Black                                    | 10° (clear lens)                         | 523-000069-01 | 910503702364     |
|  |  | 21° (frosted lens)                       | 523-000069-03 | 910503702366     |
|  |  | 36° (frosted lens)                       | 523-000069-05 | 910503702368     |
|  |  | 83° (no optic)                           | 523-000069-07 | 910503702370     |
|  |  | eW Blast Powercore<br>4000 K<br>UL / cUL | White         | 10° (clear lens) |
| 21° (frosted lens)                       | 523-000069-10                            |  |               | 910503702373     |
| 36° (frosted lens)                       | 523-000069-12                            |  |               | 910503702375     |
| 83° (no optic)                           | 523-000069-14                            |  |               | 910503702377     |
| Black                                    | 10° (clear lens)                         |  | 523-000069-09 | 910503702372     |
|  | 21° (frosted lens)                       |  | 523-000069-11 | 910503702374     |
|  | 36° (frosted lens)                       |  | 523-000069-13 | 910503702376     |
|  | 83° (no optic)                           |  | 523-000069-15 | 910503702378     |
|  | eW Blast Powercore<br>2700 K<br>CE / CQC |  | White         | 10° (clear lens) |
| 21° (frosted lens)                       |  | 523-000069-18                            |               | 910503702381     |
| 36° (frosted lens)                       |  | 523-000069-20                            |               | 910503702383     |
| 83° (no optic)                           |  | 523-000069-22                            |               | 910503702385     |
| Black                                    |  | 10° (clear lens)                         | 523-000069-17 | 910503702380     |
|  |  | 21° (frosted lens)                       | 523-000069-19 | 910503702382     |
|  |  | 36° (frosted lens)                       | 523-000069-21 | 910503702384     |
|  |  | 83° (no optic)                           | 523-000069-23 | 910503702386     |
|  |  | eW Blast Powercore<br>4000 K<br>CE / CQC | White         | 10° (clear lens) |
| 21° (frosted lens)                       | 523-000069-26                            |  |               | 910503702389     |
| 36° (frosted lens)                       | 523-000069-28                            |  |               | 910503702391     |
| 83° (no optic)                           | 523-000069-30                            |  |               | 910503702393     |
| Black                                    | 10° (clear lens)                         |  | 523-000069-25 | 910503702388     |
|  | 21° (frosted lens)                       |  | 523-000069-27 | 910503702390     |
|  | 36° (frosted lens)                       |  | 523-000069-29 | 910503702392     |
|  | 83° (no optic)                           |  | 523-000069-31 | 910503702394     |

Use Item Number when ordering in North America.

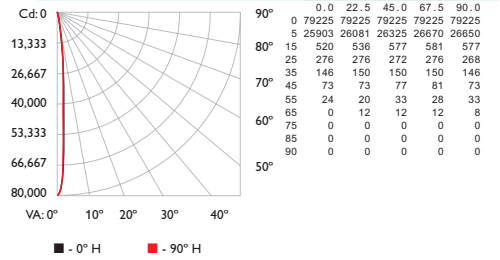


Philips Color Kinetics  
3 Burlington Woods Drive  
Burlington, Massachusetts 01803 USA  
Tel 888.385.5742  
Tel 617.423.9999  
Fax 617.423.9998  
www.philipscolorkinetics.com

## Photometrics

4000 K, 10° clear lens

### Polar Candela Distribution



### Illuminance at Distance

| Center Beam fc | Beam Width            |
|----------------|-----------------------|
| 4.0 ft         | 4952 fc 0.6 ft 0.6 ft |
| 8.0 ft         | 1238 fc 1.1 ft 1.1 ft |
| 12.0 ft        | 550 fc 1.7 ft 1.7 ft  |
| 16.0 ft        | 309 fc 2.3 ft 2.3 ft  |
| 20.0 ft        | 198 fc 2.8 ft 2.9 ft  |
| 24.0 ft        | 138 fc 3.4 ft 3.4 ft  |

259 ft (78.9 m)  
1 fc maximum distance

Vert. Spread: 8.1°  
Horiz. Spread: 8.2°

Lumens 2390  
Efficacy 45.9 lm / W

For lux multiply fc by 10.7

## Accessories

\* Intended for use with Blast fixtures with 10° clear lens

| Item                                     | Type                            | Item Number   | Philips 12NC |
|--|---------------------------------|---------------|--------------|
| Accessory Holders                        | White                           | 120-000070-00 | 910503702864 |
|  | Black                           | 120-000070-01 | 910503702863 |
| Top Hats                                 | White                           | 120-000005-03 | 910503702847 |
|  | Black                           | 120-000005-04 | 910503702848 |
| Half Top Hats                            | White                           | 120-000009-03 | 910503702843 |
|  | Black                           | 120-000009-04 | 910503702844 |
| Egg Crate Louvers                        | White                           | 120-000015-03 | 910503702851 |
|  | Black                           | 120-000015-04 | 910503702852 |
| Barndoors                                | White                           | 120-000019-03 | 910503702855 |
|  | Black                           | 120-000019-04 | 910503702856 |
| Horizontal Glass Spread Lens*            | 36° (ribs out)<br>50° (ribs in) | 120-000025-00 | 910503703897 |
| Horizontal / Vertical Glass Spread Lens* | 40°                             | 120-000025-01 | 910503703898 |

Use Item Number when ordering in North America.

OPTIBIN® | POWERCORE® | DIMAND®  
CK TECHNOLOGY | CK TECHNOLOGY | CK TECHNOLOGY

Copyright © 2008 – 2012 Philips Solid-State Lighting Solutions, Inc. All rights reserved.  
Chromacore, Chromasic, CK, the CK logo, Color Kinetics, the Color Kinetics logo, ColorBlast, ColorBlaze, ColorBurst, eW Fuse, ColorGraze, ColorPlay, ColorReach, iW Reach, eW Reach, DIMand, EssentialWhite, eW, iColor, iColor Cove, IntelliWhite, iW, iPlayer, Optibin, and Powercore are either registered trademarks or trademarks of Philips Solid-State Lighting Solutions, Inc. in the United States and / or other countries. All other brand or product names are trademarks or registered trademarks of their respective owners. Due to continuous improvements and innovations, specifications may change without notice.  
DAS-000024-03 R09 07-12