

# eColor Graze Powercore Family

Linear exterior LED wall grazing fixtures with solid color light

eColor Graze MX Powercore  
eColor Graze QLX Powercore  
eColor Graze QLX Powercore 5W  
eColor Graze EC Powercore



# eColor Graze Powercore Family

## Linear exterior LED wall grazing fixtures with solid color light

The new eColor Graze Powercore family dramatically extends the range and flexibility of the popular line of solid color light LED grazing fixtures from Philips Color Kinetics. Featuring Powercore technology, eColor Graze Powercore fixtures process power directly from line voltage, eliminating the need for external power supplies. Fixtures are available in Red, Green, Blue, and Amber. Multiple fixture lengths, beam angles, output levels, and power consumption levels support a large range of façade or surface illumination application. Low-profile housing, connectorized cabling, a universal power input range, and direct line-voltage operation make eColor Graze Powercore fixtures easy to install and operate.

- Tailor light output to specific applications — Available in four standard lengths, with standard 9° x 9°, 10° x 60°, 15° x 30°, 30° x 60° and 60° x 30° beam angles.
- High-performance illumination and beam quality — Superior beam quality offers striation-free saturation for several feet from fixture placement with no visible light scalloping between fixtures.
- Integrates Powercore technology — Powercore technology rapidly, efficiently, and accurately controls power output to fixtures directly from line voltage over a single standard cable, dramatically simplifying installation and lowering total system cost.
- Versatile installation options — Convenient push-and-click connectors let you easily and rapidly install Leader Cables and Jumper Cables. Multiple cable lengths support a variety of layouts. Constant torque locking hinges offer simple and consistent position control from various angles. The low-profile aluminum housing accommodates placement within most architectural niches.
- Universal power input range — Fixtures accept a universal power input range of 100 – 277 VAC for consistent installation anywhere in the world.
- “Cool lighting” functionality — eColor Graze Powercore fixtures do not heat illuminated surfaces, discharge infrared radiation, or emit ultraviolet light.
- Dimming capability — Patented DIMand technology offers smooth dimming capability with selected commercially available reverse-phase ELV-type dimmers.

### High performance + easy installation

With flexible mounting options, multiple fixture length and beam angle options, integrated Powercore technology, and a discreet low-profile housing rated for use in outdoor locations, eColor Graze Powercore offers high performance and simple installation.



## Illuminate surfaces with the right level of light

The expanded range of eColor Graze Powercore solid color light grazing fixtures offer four levels of performance at four levels of power consumption. A range of beam angles lets you select exactly the right light distribution and output for your application.

### **eColor Graze MX Powercore**

Features the most light output in our line of solid color light grazing fixtures — more than any previous version — for high-intensity multi-story façade and surface illumination.

### **eColor Graze QLX Powercore**

Consumes 33% less energy than eColor Graze MX Powercore. Perfect for surface illumination applications calling for a balance of cost and performance.

### **eColor Graze QLX Powercore 5W**

Fixtures are factory-set to consume a maximum of 5 W per foot, to support ASHRAE standards, LEED green building certification, and other power-limited projects. Offers the same beam spread options as eColor Graze MX Powercore and eColor Graze QLX Powercore.

### **eColor Graze EC Powercore**

Wide beam angle (90° × 90°) produces a soft-edged, volume fill for exterior cove, niche, and architectural detail illumination.



### **Meydan VIP Bridge and Royal Bridge, Dubai, United Arab Emirates (above and on the cover)**

Low-maintenance, energy-efficient eColor Graze Powercore fixtures in royal blue perfectly match the undulations of the Meydan VIP Bridge. The illuminated bridge, seen by millions of visitors, creates a spectacular display of blue ribbons against the night sky, and serves as a special VIP entrance to the Meydan Race Course for the royal family and their guests.

# Specifications

Due to continuous improvements and innovations, specifications may change without notice.

Item	Fixture	1 ft (305 mm)	2 ft (610 mm)	3 ft (914 mm)	4 ft (1219 mm)
Power Consumption <i>Max. at full output, steady state</i>	eColor Graze MX Powercore	15 W	30 W	45 W	60 W
	eColor Graze QLX Powercore	10 W	20 W	30 W	40 W
	eColor Graze QLX Powercore 5W	5 W	10 W	15 W	20 W
	eColor Graze EC Powercore	5 W	10 W	15 W	20 W

Item	Specification	1 ft (305 mm)	2 ft (610 mm)	3 ft (914 mm)	4 ft (1219 mm)
Output	Beam Angle	9° x 9° / 10° x 60° / 15° x 30° / 30° x 60° / 60° x 30°			
	Color	Red / Green / Blue / Amber			
Electrical	Input Voltage	100 – 277 VAC, auto-switching, 50 / 60 Hz			
Control	Dimming	Compatible with selected commercially available reverse-phase ELV-type dimmers*			
Physical	Dimensions <i>(Height x Width x Depth)</i>	2.7 x 12 x 2.8 in (69 x 305 x 71 mm)	2.7 x 24 x 2.8 in (69 x 610 x 71 mm)	2.7 x 36 x 2.8 in (69 x 914 x 71 mm)	2.7 x 48 x 2.8 in (69 x 1219 x 71 mm)
	Weight	2.1 lb (1.0 kg)	4.6 lb (2.1 kg)	7.1 lb (3.2 kg)	9.3 lb (4.2 kg)
	Housing	Extruded anodized aluminum			
	Lens	Clear polycarbonate			
	Fixture Connectors	Integral male / female waterproof connectors			
	Mounting	Multi-positional, constant torque locking hinges			
	Temperature	-40° – 122° F (-40° – 50° C) Operating -4° – 122° F (-20° – 50° C) Startup -40° – 176° F (-40° – 80° C) Storage			
	Humidity	0 – 95%, non-condensing			
Certification and Safety	Certification	UL / cUL, FCC Class A, CE, PSE, C-Tick			
	Environment	Dry / Damp / Wet Location, IP66			

✳ For help estimating the light output and distribution of eColor lighting fixtures, please contact Philips Color Kinetics Applications Engineering Services at [support@colorkinetics.com](mailto:support@colorkinetics.com).

\* Refer to [www.philipscolorkinetics.com/support/appnotes/](http://www.philipscolorkinetics.com/support/appnotes/) for more information.



# Fixtures and Accessories

eColor Graze Powercore fixtures are part of a complete system which includes:

- Leader Cables to connect the first fixture in a series to power or a junction box
- Jumper Cables to connect fixtures in series, and optionally to add space between fixtures in a series
- 2 + ground copper wire to connect junction boxes to power if installing in parallel

You can control eColor Graze Powercore fixtures with commercially available ON / OFF switches and selected reverse-phase ELV-type dimmers.

Item	Beam Angle	Red		Green		Blue		Amber	
		Item Number	Philips 12NC	Item Number	Philips 12NC	Item Number	Philips 12NC	Item Number	Philips 12NC
eColor Graze MX Powercore 1 ft (305 mm)	9° x 9°	223-000080-00	910503703146	223-000080-01	910503703390	223-000080-02	910503703391	223-000080-03	910503703392
	10° x 60°	223-000080-04	910503703393	223-000080-05	910503703394	223-000080-06	910503703395	223-000080-07	910503703396
	15° x 30°	223-000080-08	910503703397	223-000080-09	910503703398	223-000080-10	910503703399	223-000080-11	910503703401
	30° x 60°	223-000080-12	910503703402	223-000080-13	910503703403	223-000080-14	910503703404	223-000080-15	910503703405
	60° x 30°	223-000080-16	910503703406	223-000080-17	910503703407	223-000080-18	910503703408	223-000080-19	910503703409
eColor Graze MX Powercore 2 ft (610 mm)	90° x 90°	223-000080-20	910503703410	223-000080-21	910503703411	223-000080-22	910503703412	223-000080-23	910503703413
	10° x 60°	223-000080-24	910503703414	223-000080-25	910503703415	223-000080-26	910503703416	223-000080-27	910503703417
	15° x 30°	223-000080-28	910503703418	223-000080-29	910503703419	223-000080-30	910503703420	223-000080-31	910503703421
	30° x 60°	223-000080-32	910503703422	223-000080-33	910503703423	223-000080-34	910503703424	223-000080-35	910503703425
	60° x 30°	223-000080-36	910503703426	223-000080-37	910503703427	223-000080-38	910503703428	223-000080-39	910503703429
eColor Graze MX Powercore 3 ft (914 mm)	9° x 9°	223-000080-40	910503703430	223-000080-41	910503703431	223-000080-42	910503703432	223-000080-43	910503703433
	10° x 60°	223-000080-44	910503703434	223-000080-45	910503703435	223-000080-46	910503703436	223-000080-47	910503703437
	15° x 30°	223-000080-48	910503703438	223-000080-49	910503703439	223-000080-50	910503703440	223-000080-51	910503703441
	30° x 60°	223-000080-52	910503703442	223-000080-53	910503703443	223-000080-54	910503703444	223-000080-55	910503703445
	60° x 30°	223-000080-56	910503703446	223-000080-57	910503703447	223-000080-58	910503703448	223-000080-59	910503703449
eColor Graze MX Powercore 4 ft (1219 mm)	9° x 9°	223-000080-60	910503703450	223-000080-61	910503703451	223-000080-62	910503703452	223-000080-63	910503703453
	10° x 60°	223-000080-64	910503703454	223-000080-65	910503703455	223-000080-66	910503703456	223-000080-67	910503703457
	15° x 30°	223-000080-68	910503703458	223-000080-69	910503703459	223-000080-70	910503703460	223-000080-71	910503703461
	30° x 60°	223-000080-72	910503703462	223-000080-73	910503703463	223-000080-74	910503703464	223-000080-75	910503703465
	60° x 30°	223-000080-76	910503703466	223-000080-77	910503703467	223-000080-78	910503703468	223-000080-79	910503703469
eColor Graze QLX Powercore 1 ft (305 mm)	9° x 9°	223-000081-00	910503703147	223-000081-01	910503703470	223-000081-02	910503703471	223-000081-04	910503703472
	10° x 60°	223-000081-04	910503703473	223-000081-05	910503703474	223-000081-06	910503703475	223-000081-07	910503703476
	15° x 30°	223-000081-08	910503703477	223-000081-09	910503703478	223-000081-10	910503703479	223-000081-11	910503703480
	30° x 60°	223-000081-12	910503703481	223-000081-13	910503703482	223-000081-14	910503703483	223-000081-15	910503703484
	60° x 30°	223-000081-16	910503703485	223-000081-17	910503703486	223-000081-18	910503703487	223-000081-19	910503703488
eColor Graze QLX Powercore 2 ft (610 mm)	9° x 9°	223-000081-20	910503703489	223-000081-21	910503703490	223-000081-22	910503703491	223-000081-23	910503703492
	10° x 60°	223-000081-24	910503703493	223-000081-25	910503703494	223-000081-26	910503703495	223-000081-27	910503703496
	15° x 30°	223-000081-28	910503703497	223-000081-29	910503703498	223-000081-30	910503703499	223-000081-31	910503703501
	30° x 60°	223-000081-32	910503703502	223-000081-33	910503703503	223-000081-34	910503703504	223-000081-35	910503703505
	60° x 30°	223-000081-36	910503703506	223-000081-37	910503703507	223-000081-38	910503703508	223-000081-39	910503703509
eColor Graze QLX Powercore 3 ft (914 mm)	9° x 9°	223-000081-40	910503703510	223-000081-41	910503703511	223-000081-42	910503703512	223-000081-43	910503703513
	10° x 60°	223-000081-44	910503703514	223-000081-45	910503703515	223-000081-46	910503703516	223-000081-47	910503703517
	15° x 30°	223-000081-48	910503703518	223-000081-49	910503703519	223-000081-50	910503703520	223-000081-51	910503703521
	30° x 60°	223-000081-52	910503703522	223-000081-53	910503703523	223-000081-54	910503703524	223-000081-55	910503703525
	60° x 30°	223-000081-56	910503703526	223-000081-57	910503703527	223-000081-58	910503703528	223-000081-59	910503703529
eColor Graze QLX Powercore 4 ft (1219 mm)	9° x 9°	223-000081-60	910503703530	223-000081-61	910503703531	223-000081-62	910503703532	223-000081-63	910503703533
	10° x 60°	223-000081-64	910503703534	223-000081-65	910503703535	223-000081-66	910503703536	223-000081-67	910503703537
	15° x 30°	223-000081-68	910503703538	223-000081-69	910503703539	223-000081-70	910503703540	223-000081-71	910503703541
	30° x 60°	223-000081-72	910503703542	223-000081-73	910503703543	223-000081-74	910503703544	223-000081-75	910503703545
	60° x 30°	223-000081-76	910503703546	223-000081-77	910503703547	223-000081-78	910503703548	223-000081-79	910503703549

Use Item Number when ordering in North America.

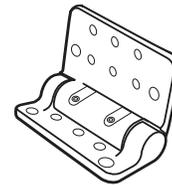
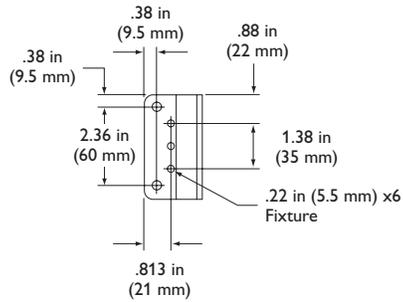
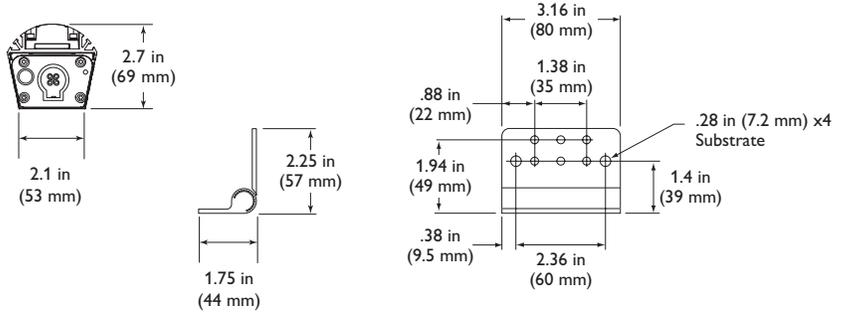
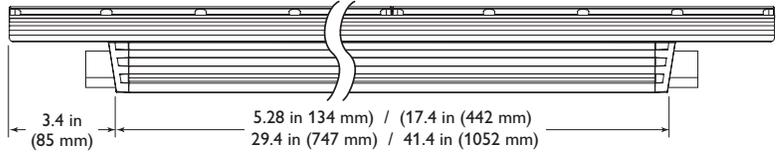
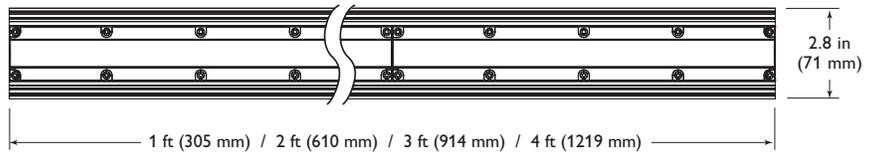
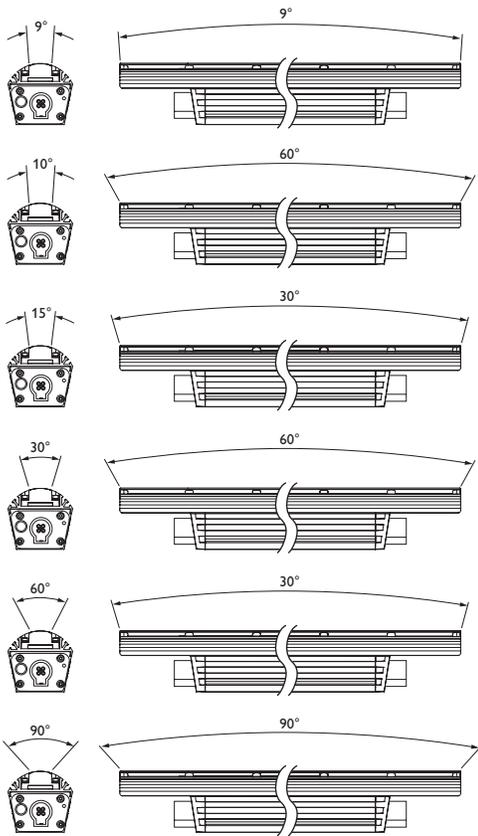
Item	Beam Angle	Red		Green		Blue		Amber	
		Item Number	Philips 12NC	Item Number	Philips 12NC	Item Number	Philips 12NC	Item Number	Philips 12NC
eColor Graze QLX Powercore 5W 1 ft (305 mm)	9° x 9°	223-000083-00	910503704039	223-000083-01	910503703565	223-000083-02	910503703566	223-000083-03	910503703567
	10° x 60°	223-000083-04	910503703568	223-000083-05	910503703569	223-000083-06	910503703570	223-000083-07	910503703571
	15° x 30°	223-000083-08	910503703572	223-000083-09	910503703573	223-000083-10	910503703574	223-000083-11	910503703575
	30° x 60°	223-000083-12	910503703576	223-000083-13	910503703577	223-000083-14	910503703578	223-000083-15	910503703579
	60° x 30°	223-000083-16	910503703580	223-000083-17	910503703581	223-000083-18	910503703582	223-000083-19	910503703583
eColor Graze QLX Powercore 5W 2 ft (610 mm)	9° x 9°	223-000083-20	910503703584	223-000083-21	910503703585	223-000083-22	910503703586	223-000083-23	910503703587
	10° x 60°	223-000083-24	910503703588	223-000083-25	910503703589	223-000083-26	910503703590	223-000083-27	910503703591
	15° x 30°	223-000083-28	910503703592	223-000083-29	910503703593	223-000083-30	910503703594	223-000083-31	910503703595
	30° x 60°	223-000083-32	910503703596	223-000083-33	910503703597	223-000083-34	910503703598	223-000083-35	910503703599
eColor Graze QLX Powercore 5W 3 ft (914 mm)	60° x 30°	223-000083-36	910503703601	223-000083-37	910503703602	223-000083-38	910503703603	223-000083-39	910503703604
	9° x 9°	223-000083-40	910503703605	223-000083-41	910503703606	223-000083-42	910503703607	223-000083-43	910503703608
	10° x 60°	223-000083-44	910503703609	223-000083-45	910503703610	223-000083-46	910503703611	223-000083-47	910503703612
	15° x 30°	223-000083-48	910503703613	223-000083-49	910503703614	223-000083-50	910503703615	223-000083-51	910503703616
	30° x 60°	223-000083-52	910503703617	223-000083-53	910503703618	223-000083-54	910503703619	223-000083-55	910503703620
eColor Graze QLX Powercore 5W 4 ft (1219 mm)	60° x 30°	223-000083-56	910503703621	223-000083-57	910503703622	223-000083-58	910503703623	223-000083-59	910503703624
	9° x 9°	223-000083-60	910503703625	223-000083-61	910503703626	223-000083-62	910503703627	223-000083-63	910503703628
	10° x 60°	223-000083-64	910503703629	223-000083-65	910503703630	223-000083-66	910503703631	223-000083-67	910503703632
	15° x 30°	223-000083-68	910503703633	223-000083-69	910503703634	223-000083-70	910503703635	223-000083-71	910503703636
	30° x 60°	223-000083-72	910503703637	223-000083-73	910503703638	223-000083-74	910503703639	223-000083-75	910503703640
60° x 30°	223-000083-76	910503703641	223-000083-77	910503703642	223-000083-78	910503703643	223-000083-79	910503704644	
eColor Graze EC Powercore 1 ft (305 mm)	90° x 90°	223-000082-00	910503703148	223-000082-01	910503703550	223-000082-02	910503703551	223-000082-03	910503703552
eColor Graze EC Powercore 2 ft (610 mm)	90° x 90°	223-000082-04	910503703553	223-000082-05	910503703554	223-000082-06	910503703555	223-000082-07	910503703556
eColor Graze EC Powercore 3 ft (914 mm)	90° x 90°	223-000082-08	910503703557	223-000082-09	910503703558	223-000082-10	910503703559	223-000082-11	910503703560
eColor Graze EC Powercore 4 ft (1219 mm)	90° x 90°	223-000082-12	910503703561	223-000082-13	910503703562	223-000082-14	910503703563	223-000082-15	910503703564

Use Item Number when ordering in North America.

Item	Type	Size	Item Number	Philips 12NC
Leader Cable with Terminator	UL / cUL	10 ft (3.0 m)	108-000056-03	910503704071
		50 ft (15.2 m)	108-000056-00	910503703138
	CE / PSE	10 ft (3.0 m)	108-000056-04	910503704072
		50 ft (15.2 m)	108-000056-01	910503704069
Jumper Cable	UL / cUL	End-to-End	108-000057-00	910503703139
		1 ft (305 mm)	108-000057-03	910503704076
		5 ft (1.5 m)	108-000057-06	910503704079
		10 ft (3.0 m)	108-000057-09	910503704082
	CE / PSE	End-to-End	108-000057-01	910503704074
		1 ft (305 mm)	108-000057-04	910503704077
		5 ft (1.5 m)	108-000057-07	910503704080
		10 ft (3.0 m)	108-000057-10	910503704083
Glare Shield		1 ft (305 mm)	120-000081-00	910503700745
		2 ft (610 mm)	120-000081-01	910503700746
		3 ft (914 mm)	120-000081-02	910503700747
		4 ft (1219 mm)	120-000081-03	910503700748
Additional Terminators		Quantity 10	120-000157-00	910503703142
Additional Hinge		Quantity 1	120-000098-00	910503700772

Use Item Number when ordering in North America.

# Dimensions



# Installation

eColor Graze Powercore offers dimmable, high-quality solid white LED illumination for surface grazing and wall-washing applications, both indoors and outdoors. Patented Powercore technology integrates power management directly within the fixtures and eases installation by eliminating the need for external power supplies.

## Owner / User Responsibilities

It is the responsibility of the contractor, installer, purchaser, owner, and user to install, maintain, and operate eColorGraze Powercore fixtures in such a manner as to comply with all applicable codes, state and local laws, ordinances, and regulations. Consult with the appropriate electrical inspector to ensure compliance.

## Installing in Damp or Wet Locations

When installing in damp or wet locations, seal all fixtures and all junction boxes with electronics-grade RTV silicone sealant so that water or moisture cannot enter or accumulate in wiring compartments, cables, fixtures, or other electrical parts. Use suitable outdoor-rated junction boxes when installing in damp or wet locations. Additionally, use gaskets, clamps, and other parts required for installation to comply with all applicable local and national codes.

# Start the Installation

1. Refer to the lighting design plan, architectural diagram, or other diagram that shows the physical layout of the installation to identify the locations of all switches, fixtures, and cables.

eColor Graze Powercore fixtures can be installed in series or in parallel (wired to a common junction box). The maximum number of fixtures each circuit can support depends on specific configuration details such as fixture length, fixture spacing, circuit size, line voltage, and leader cable length. For more information, and for help calculating the number of fixtures your specific installation can support, download the Configuration Calculator from [www.philipscolorkinetics.com/support/install\\_tool/](http://www.philipscolorkinetics.com/support/install_tool/), or consult Application Engineering Services at [support@colorkinetics.com](mailto:support@colorkinetics.com).

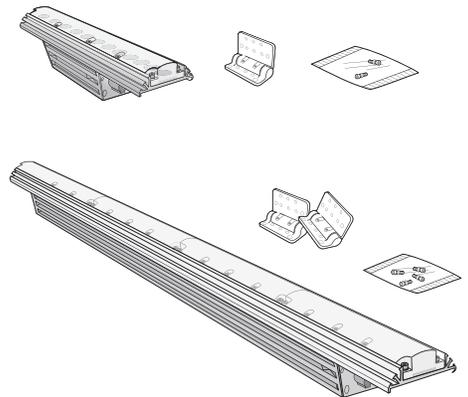
2. Carefully inspect the box containing eColor Graze Powercore and the contents for any damage that may have occurred in transit.
3. Ensure that all additional parts and tools are available, including:
  - The included mounting hinges and hardware
  - 2 mm, 2.5 mm, and 4 mm hex key wrenches
  - 1/4 in (5 mm) socket cap fasteners, anchors, or screws for surface mounting
  - Conduit as needed
  - 2 + ground copper wire, as needed. Standard 12 AWG (2.05 mm) stranded wire is recommended.
  - Junction boxes, as needed, rated for your application. (Refer to the manufacturer's literature for additional items required for mounting or sealing.)
  - Electronics-grade room temperature vulcanizing (RTV) silicone sealant, as needed

✳ Refer to the eColor Graze Powercore Installation Instructions for specific warning and caution statements.

✳ Clean the lens with water and mild detergent using a soft cleaning cloth, and wipe dry. Because they will scratch, soften, pit, haze, yellow, mar, or crack the lens, do not use paper towels, abrasive cleaning products, window cleaners, or cleaning solutions containing chemicals such as ammonia, sodium hydroxide, and isopropyl alcohol.

## Included in the box

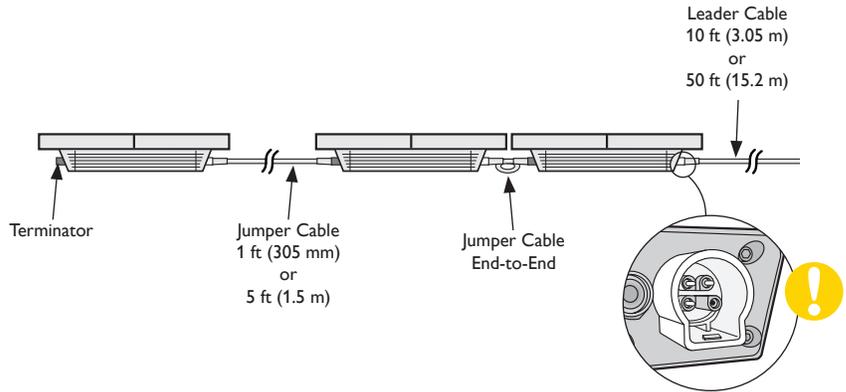
eColor Graze Powercore fixture
(1) or (2) Mounting hinges
(2) or (4) M5, 15 mm stainless steel hex bolts for hinge installation
Installation Instructions



# Mount and Connect Fixtures

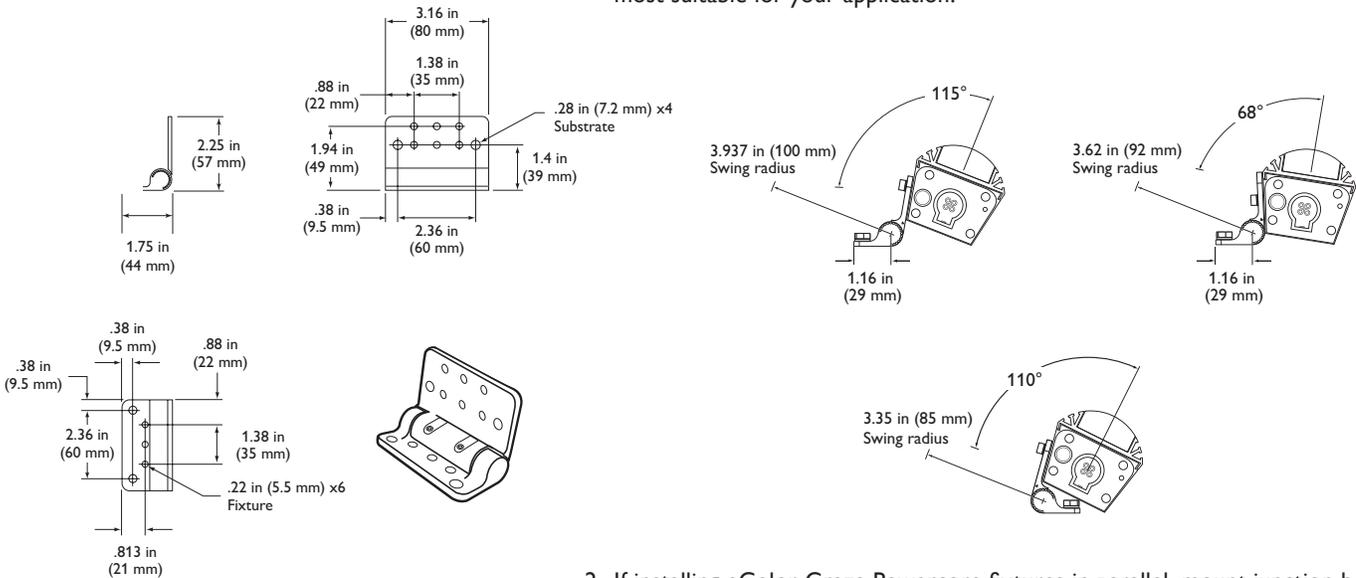
Make sure the power is OFF before mounting and connecting eColor Graze Powercore fixtures.

eColor Graze Powercore fixtures offer bulkhead connectors that accept the eColor Graze Powercore pre-configured Leader and Jumper Cables. Because they have a male connector on one end of the fixture and a female connector on the other end, eColor Graze Powercore fixtures are directional, and must all be oriented in the same direction.



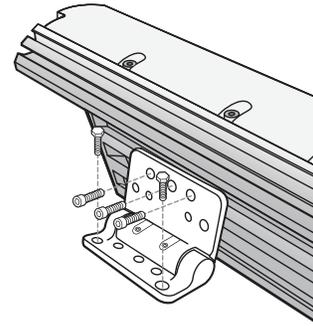
## Mount Fixtures

- Using the included 4 mm hex hardware, attach two hinges to each fixture. There are three possible methods for attaching hinges to the fixtures, each method offering differing degrees of swing radius and space-efficiency. Select the method most suitable for your application.



- If installing eColor Graze Powercore fixtures in parallel, mount junction boxes in accordance with the lighting design plan.
- When installing a linear series of eColor Graze Powercore fixtures, make sure that all fixtures are oriented in the same direction. The white connectors are for cable inputs, and the black connectors are for cable outputs. The Leader Cable connects to the male bulkhead connector on the first fixture in each series.
- Rotate the fixture hinge assemblies into the desired positions. For consistent position control, use the indicators on the side of each hinge knuckle for reference. Use a 2 mm hex key wrench to loosen the set screws, as needed.

- To accommodate installation from various angles, each hinge has four set screws designed to lock the hinge position. All four, or only two, of the set screws may be used, depending on the mounting method and swing radius you select for the hinge. For example, if the hinge leaves are to be fully closed, the interior set screws may not be accessible.



Do not lock the hinges positions at this time; the hinges have a built-in constant torque feature that allows temporary positioning. For optimal light output performance, aim and lock the hinges following installation.

## Make Cable Connections

### 1. Connect Leader Cables:

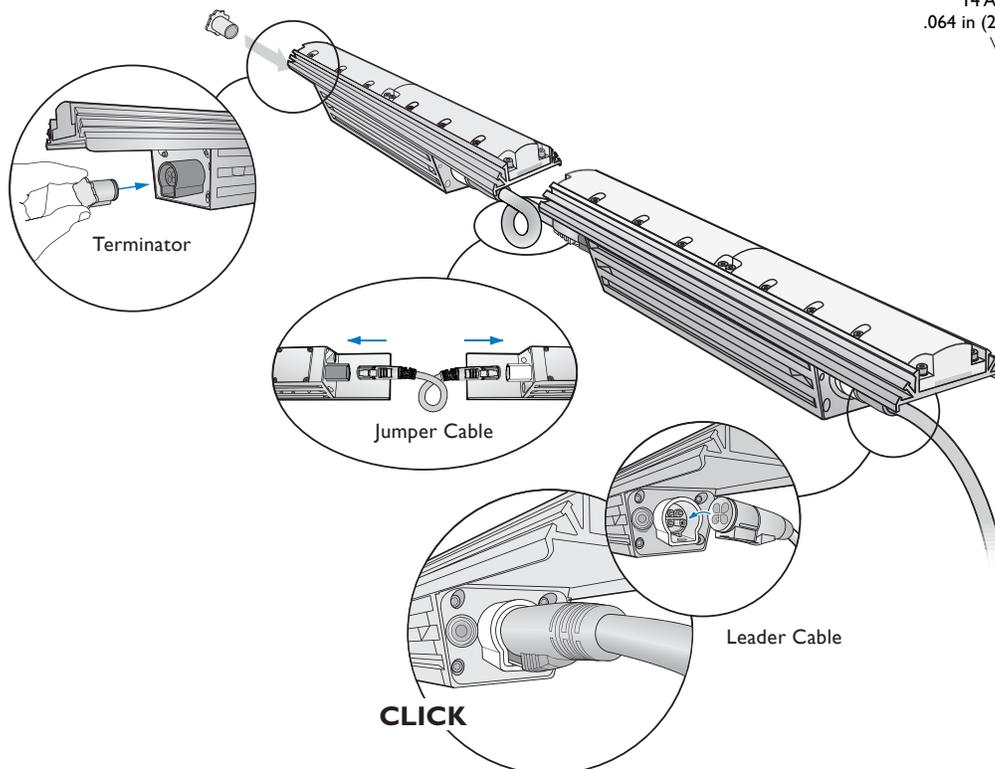
- If installing fixtures in series, run a 10 ft (3.0 m) or 50 ft (15.2 m) Leader Cable from a line voltage source to the input side of the first fixture in the series. Push the Leader Cable into the connector to lock it into place.
- If installing fixtures in parallel, run 2 + ground copper wire from a line voltage source to a common junction box.

Run Leader Cables from the common junction box to the input side of the first fixture in each series. Push the Leader Cables into the connectors to lock them into place.

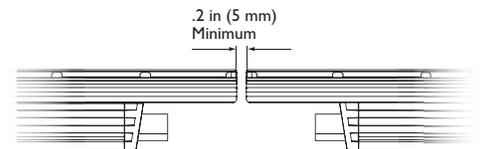
Within the common junction box, use wire nuts to connect line, neutral, and ground data wires. Tuck wire connections into the junction box.

Secure all junction box covers. If installing in a damp or wet location, seal all junction boxes and points of entry with contractor-grade RTV silicone sealant. Use gaskets, clamps, and other parts and fittings required to comply with local outdoor wiring codes.

- Connect all Jumper Cables between fixtures. Push the cable ends into the connectors to lock them into place.
- Insert a terminator into the output side of the last fixture in each series. (Terminators are provided with the eColor Graze Powercore Leader Cables.)



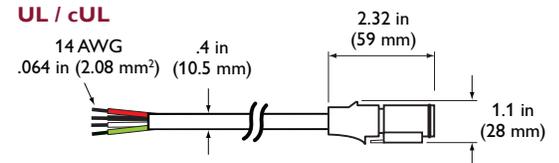
### Minimum distance between fixtures



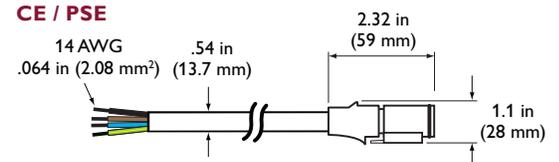
⚠ Be sure to position fixtures close enough together so that Leader Cables and Jumper Cables are not stretched or taut when installed.

### Leader Cable Connector Dimensions

#### UL / cUL



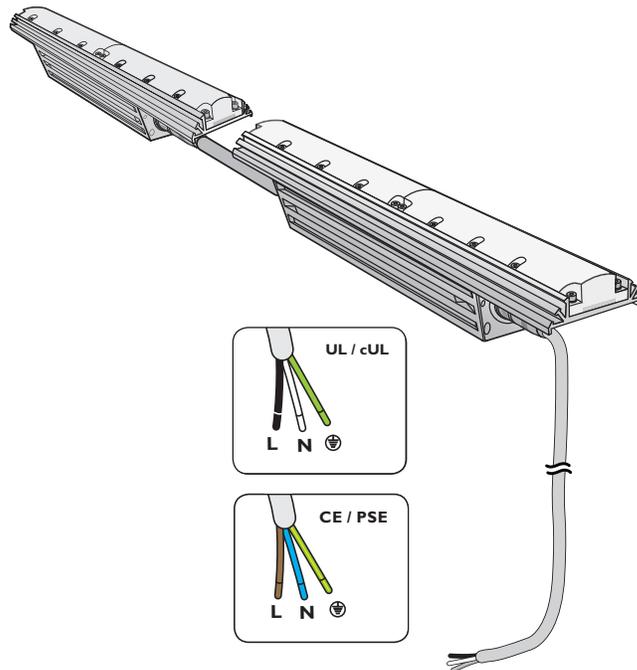
#### CE / PSE



✳ To ensure CE compliance when using a terminal block, the terminal block must conform to EN 60998-2-1 or EN 60998-2-2 and meet the specified ratings for the voltage listed in this Product Guide.

### Make Power Connections

Once you've made all fixture and junction box connections, connect the flying leads from a Leader Cable, or the 2 + ground wire from a common junction box, to a line circuit by a method that meets all national, regional, and local regulations.



✳ Do not look directly into a fixture when aiming and locking.

✳ The hinge position set screws have factory applied thread lock. Confirm the fixture angle and positioning before locking each hinge.

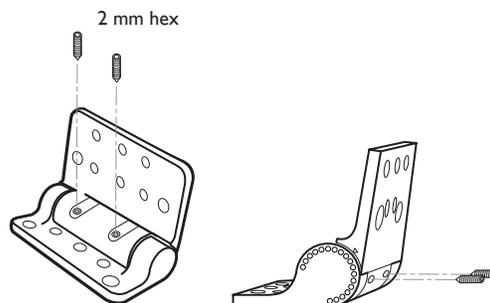
### Aim and Lock the Fixtures

Make sure power is ON before aiming fixtures.

Rotate the fixtures to achieve the optimal angle for light output. For consistent position control, use the indicators on the side of each hinge knuckle as reference.

For fine horizontal adjustment, you can change the position of the hinge mounting block located on the side of each fixture. Loosen the set screw with a 2.5 mm hex key, slide the mounting block to the desired position, then tighten the set screw.

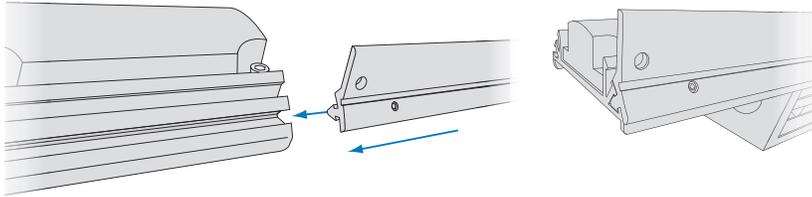
Once satisfied with fixture angles and positioning, use a 2 mm hex key wrench to tighten the hinge position set screws and lock each hinge.



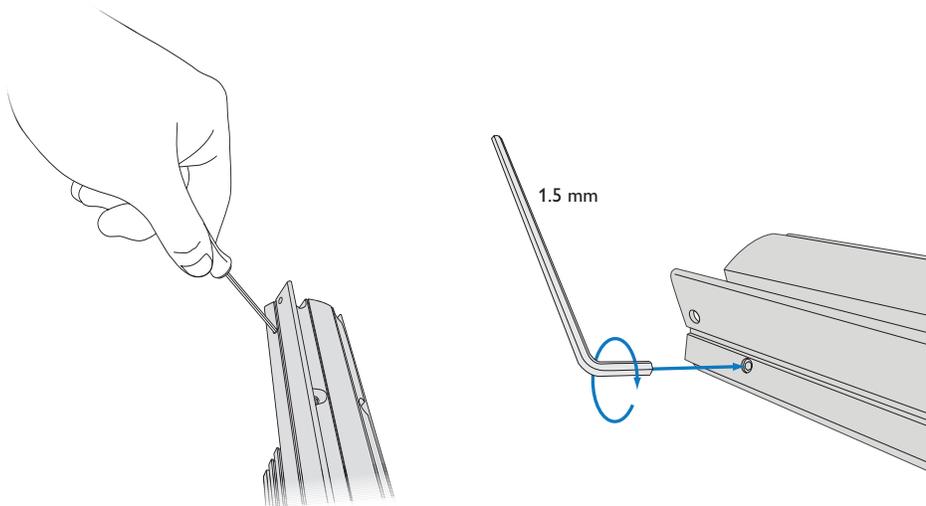
## Attach Glare Shields (Optional)

Glare Shields, in 1 ft (305 mm), 2 ft (610 mm), 3 ft (914 mm), and 4 ft (1.2 m) lengths, can be inserted in the grooves in the eColor Graze Powercore housing. Glare Shields block unwanted spill light, and can shield the light sources from being directly visible in certain mounting situations.

1. Insert the Glare Shield's triangular tab in the outer groove on the side of the eColor Graze Powercore housing.



2. Using a hex wrench, tighten the locking screws to hold the Glare Shield in place.
3. (Optional) Attach a tether to the knockout in the Glare Shield, and affix the tether to a secure anchor point.
4. Using a small screwdriver, hand-tighten all set screws. Using a 1.5 mm hex wrench, torque the set screws to approximately 3.5 in-lbs (4 kgf/cm) to hold the Glare Shield in place.



Philips Color Kinetics  
3 Burlington Woods Drive  
Burlington, Massachusetts 01803 USA  
Tel 888.385.5472  
Tel 617.423.9999  
Fax 617.423.9998  
[www.philipscolorkinetics.com](http://www.philipscolorkinetics.com)

Copyright © 2013 Philips Solid-State Lighting Solutions, Inc. All rights reserved.  
Chromacore, Chromasic, CK, the CK logo, Color Kinetics, the Color Kinetics logo, ColorBlast, ColorBlaze, ColorBurst, eW Fuse, ColorGraze, ColorPlay, ColorReach, iW Reach, eW Reach, DIMand, EssentialWhite, eW, iColor, iColor Cove, IntelliVWhite, iW, iPlayer, Optibin, and Powercore are either registered trademarks or trademarks of Philips Solid-State Lighting Solutions, Inc. in the United States and / or other countries. All other brand or product names are trademarks or registered trademarks of their respective owners. Due to continuous improvements and innovations, specifications may change without notice.  
Cover Photo: Meydan VIP Bridge, Dubai, United Arab Emirates, by Philips

DAS-000116-00 R00 04-13