

Vaya Flood MP G2, White & Mono

Vaya Flood MP (gen2) is a reliable and cost effective white light fixture for both interior and exterior use. Vaya Flood MP White & Mono is designed for general purpose flood, wash and accent lighting applications. Integrated power and adjustable tilt angle make this product versatile and easy to use.



Key Features

- Up to 10lx at 80m / 1fc at 262ft
- Compact die-cast aluminium housing
- Robust design & IP66 rating for outdoor use
- Available in standard 3000K & 4000K
- Available with standard 20° or 40° beams
- Auto-ranging 120V-277V AC, 50 / 60Hz input
- DLC-listed with 5 years limited warranty

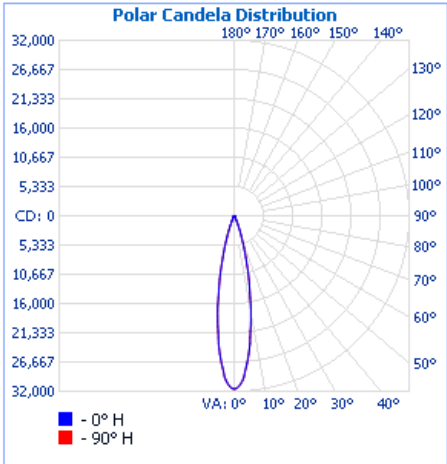
Product Data

Height	275 mm (10.8in), including surface mount base
Width	353 mm (13.9in)
Depth	90.6 mm (3.57in), excluding mounting base
Mounting	Integrated tilting surface-mount base
Source	High-brightness White or Monocolor LEDs
Standard Beam Angles	20° or 40°
Luminous Flux	5,656 lumens
Efficacy	83lm/W
CRI	80 Ra
Lumen Maintenance	50,000 hrs L ₇₀ at 25°C
Housing	Die Cast Aluminum, powder-coated finish RAL7043
Weight	5.75 kg (12.7 lbs)
Connector	3-conductor whip for power, 1.5m (5ft) long
Lens	Tempered glass
Control	On / Off (standard) or DMX-dimmable (custom option)
Input Voltage	120V-277V AC, 50 / 60Hz
Power Consumption	68W
Temperature Range	-20°C to 40°C (-4°F ~104°F) start-up temperature -40°C to 40°C (-40°F ~104°F) operating temperature
Protection Rating	IP66, Wet location listed, IK09
Certifications	UL / cUL, FCC Class A,
Warranty	5 Years

Photometrics (Per IESNA LM-79):

Vaya Flood MP G2 3000K, 20deg

Polar Candela Distribution



Illuminance at a Distance

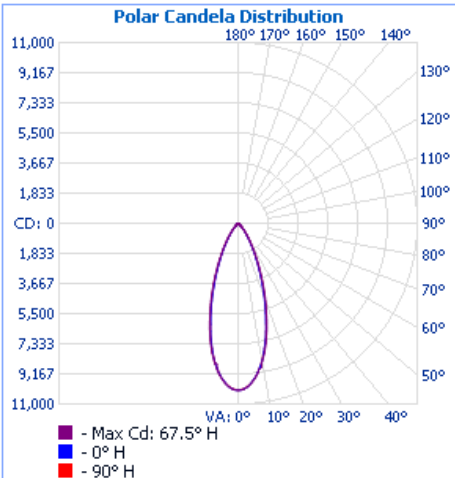
	Center Beam LUX	Beam Width	
8.33M	454 LUX	3.21 M	3.22 M
16.67M	114 LUX	6.42 M	6.45 M
25.00M	50.5 LUX	9.62 M	9.67 M
33.33M	28.4 LUX	12.83 M	12.89 M
41.67M	18.2 LUX	16.04 M	16.11 M
50.00M	12.6 LUX	19.25 M	19.34 M

■ Vert. Spread: 21.8°
■ Horiz. Spread: 21.9°

Im = 3.28ft

Vaya Flood MP G2 3000K, 40deg

Polar Candela Distribution



Illuminance at a Distance

	Center Beam LUX	Beam Width	
8.33M	146 LUX	5.68 M	5.74 M
16.67M	36.5 LUX	11.36 M	11.48 M
25.00M	16.2 LUX	17.04 M	17.21 M
33.33M	9.13 LUX	22.72 M	22.95 M
41.67M	5.84 LUX	28.41 M	28.69 M
50.00M	4.06 LUX	34.09 M	34.43 M

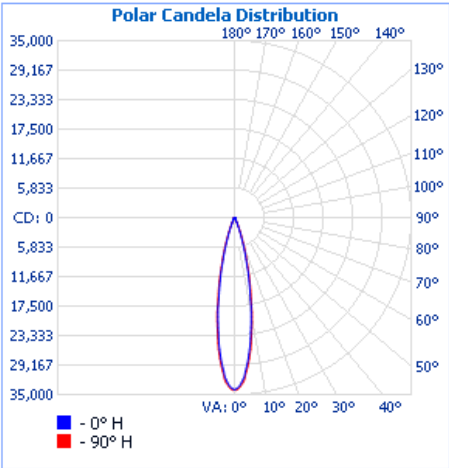
■ Vert. Spread: 37.6°
■ Horiz. Spread: 38.0°

Im = 3.28ft

Photometrics (Per IESNA LM-79):

Vaya Flood MP G2 4000K, 20deg

Polar Candela Distribution



Illuminance at a Distance

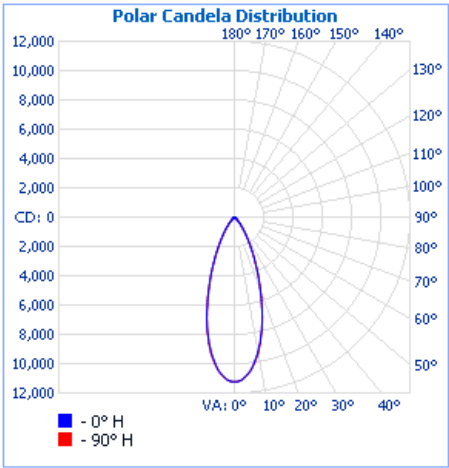
	Center Beam LUX	Beam Width	
8.33M	490 LUX	3.21 M	3.36 M
16.67M	122 LUX	6.42 M	6.72 M
25.00M	54.4 LUX	9.63 M	10.07 M
33.33M	30.6 LUX	12.84 M	13.43 M
41.67M	19.6 LUX	16.05 M	16.79 M
50.00M	13.6 LUX	19.27 M	20.15 M

■ Vert. Spread: 21.8°
■ Horiz. Spread: 22.8°

Im = 3.28ft

Vaya Flood MP G2 4000K, 40deg

Polar Candela Distribution



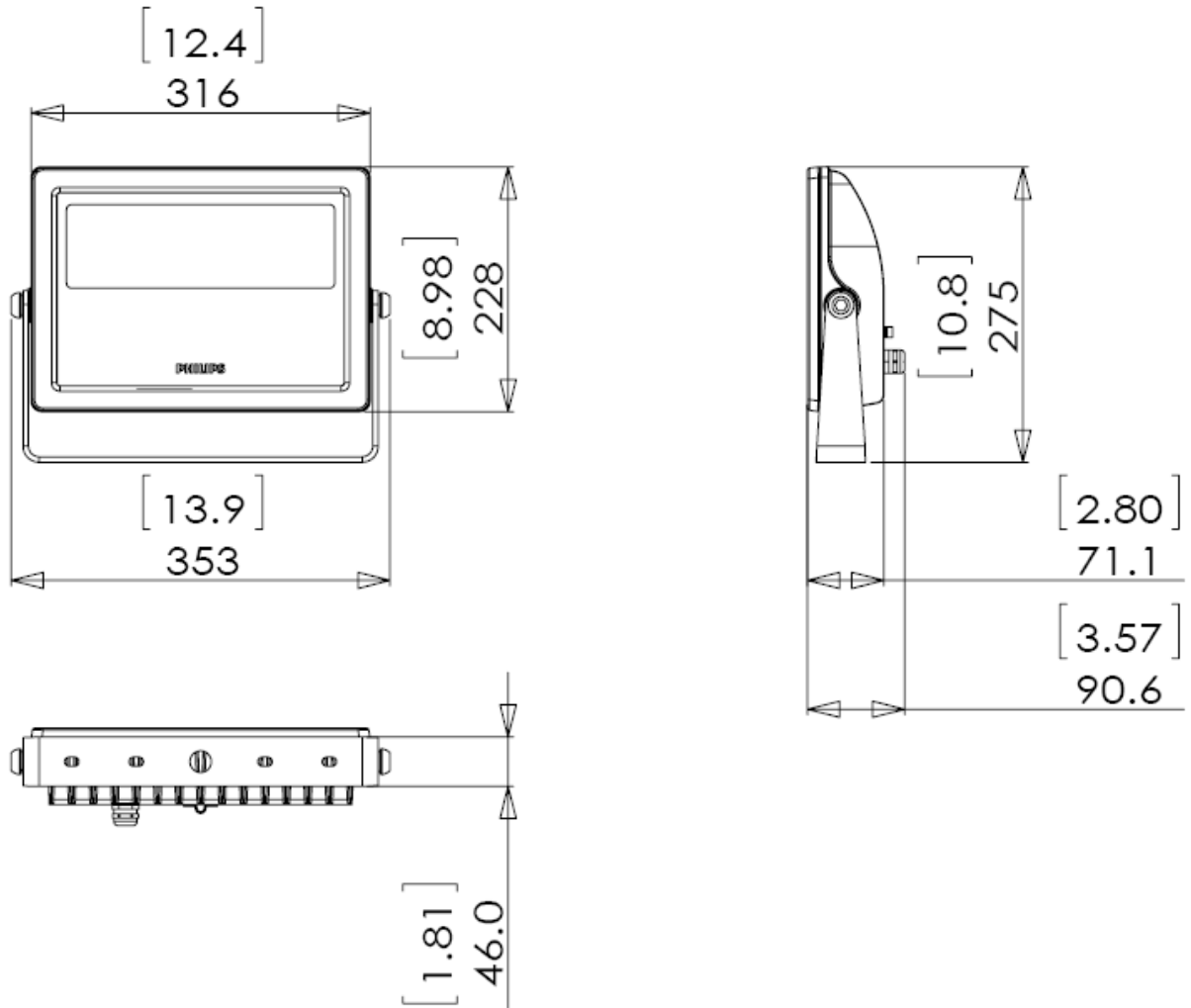
Illuminance at a Distance

	Center Beam LUX	Beam Width	
8.33M	162 LUX	5.66 M	5.69 M
16.67M	40.4 LUX	11.31 M	11.38 M
25.00M	18.0 LUX	16.97 M	17.08 M
33.33M	10.1 LUX	22.62 M	22.77 M
41.67M	6.46 LUX	28.28 M	28.46 M
50.00M	4.49 LUX	33.93 M	34.15 M

■ Vert. Spread: 37.5°
■ Horiz. Spread: 37.7°

Im = 3.28ft

Dimensions:



Ordering Codes:

CCT	Beam Angle	Philips I2NC	Item Number	Certification
3000K	20°	912400134027	350-000016-17	UL / cUL
3000K	40°	912400134028	350-000016-18	UL / cUL
4000K	20°	912400134030	350-000016-25	UL / cUL
4000K	40°	912400134031	350-000016-26	UL / cUL

¹ Custom options include 2700K, 5000K, Red, Green, Blue, Amber color options

² Custom options include narrow (10°) & open beam (90°) versions

Custom Options / On-Off:

CCT	Beam Angle	Philips I2NC	Item Number	Certification
3000K	10°	912400134026	350-000016-16	UL / cUL
4000K	10°	912400134029	350-000016-24	UL / cUL
2700K	10°	912400134035	350-000016-32	UL / cUL
2700K	20°	912400134036	350-000016-33	UL / cUL
2700K	40°	912400134037	350-000016-34	UL / cUL
5000K	10°	912400134041	350-000016-40	UL / cUL
5000K	20°	912400134042	350-000016-41	UL / cUL
5000K	40°	912400134043	350-000016-42	UL / cUL
3000K	Open Beam	912400134045	350-000016-45	UL / cUL
4000K	Open Beam	912400134047	350-000016-47	UL / cUL
2700K	Open Beam	912400134049	350-000016-49	UL / cUL
5000K	Open Beam	912400134051	350-000016-51	UL / cUL

Custom Options / DMX-Dimmable:

CCT	Beam Angle	Philips I2NC	Item Number	Certification
3000K	10°	823500402117	399-016000-00	UL / cUL
3000K	20°	823500402118	399-016000-01	UL / cUL
3000K	40°	823500402119	399-016000-02	UL / cUL
4000K	10°	823500402120	399-016000-03	UL / cUL
4000K	20°	823500402121	399-016000-04	UL / cUL
4000K	40°	823500402122	399-016000-05	UL / cUL
2700K	10°	823500402123	399-016000-06	UL / cUL
2700K	20°	823500402124	399-016000-07	UL / cUL
2700K	40°	823500402125	399-016000-08	UL / cUL
5000K	10°	823500402126	399-016000-09	UL / cUL
5000K	20°	823500402127	399-016000-10	UL / cUL
5000K	40°	823500402128	399-016000-11	UL / cUL
3000K	Open Beam	823500402129	399-016000-12	UL / cUL
4000K	Open Beam	823500402130	399-016000-13	UL / cUL
2700K	Open Beam	823500402131	399-016000-14	UL / cUL
5000K	Open Beam	823500402132	399-016000-15	UL / cUL