

## Vaya Flood MP G2, White & Mono

Vaya Flood MP (gen2) is a reliable and cost effective white light fixture for both interior and exterior use. Vaya Flood MP White & Mono is designed for general purpose flood, wash and accent lighting applications. Integrated power and adjustable tilt angle make this product versatile and easy to use.



### Key Features

- Up to 10lx at 80m / 1fc at 262ft
- Compact die-cast aluminium housing
- Robust design & IP66 rating for outdoor use
- Available in standard 3000K & 4000K
- Available with standard 20° or 40° beams
- Auto-ranging 100V to 277V 50 / 60Hz input
- 3-Year Warranty

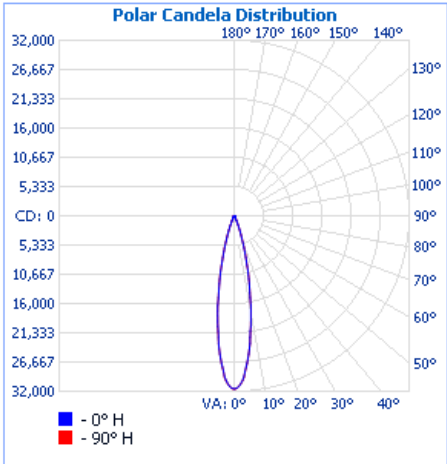
### Product Data

Height	275 mm (10.8in), including surface mount base
Width	353 mm (13.9in)
Depth	90.6 mm (3.57in), excluding mounting base
Mounting	Integrated tilting surface-mount base
Source	High-brightness White or Mono LEDs
Standard Beam Angles	20° or 40°
Luminous Flux	5,656 lumens
Efficacy	83lm/W
CRI	80 Ra
Lumen Maintenance	50,000 hrs L <sub>70</sub> at 25°C
Housing	Die Cast Aluminum, powder-coated finish RAL7043
Weight	5.75 kg (12.7 lbs)
Connector	3-conductor whip for power, 1.5m (5ft) long
Lens	Tempered glass
Control	On / Off
Input Voltage	100V to 277 VAC, 50 / 60Hz
Power Consumption	68W
Temperature Range	-20°C to 40°C (-4°F ~104°F) start-up temperature -40°C to 40°C (-40°F ~104°F) operating temperature
Protection Rating	IP66, Wet location listed, IK09
Certifications	PSE
Warranty	3 Years

**Photometrics (Per IESNA LM-79):**

**Vaya Flood MP G2 3000K, 20deg**

**Polar Candela Distribution**



**Illuminance at a Distance**

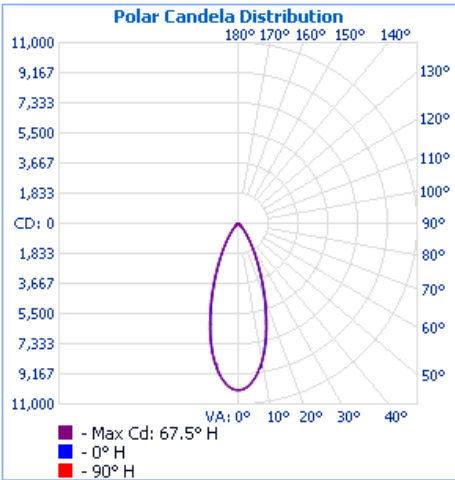
	Center Beam LUX	Beam Width	
8.33M	<b>454 LUX</b>	<b>3.21 M</b>	<b>3.22 M</b>
16.67M	<b>114 LUX</b>	<b>6.42 M</b>	<b>6.45 M</b>
25.00M	<b>50.5 LUX</b>	<b>9.62 M</b>	<b>9.67 M</b>
33.33M	<b>28.4 LUX</b>	<b>12.83 M</b>	<b>12.89 M</b>
41.67M	<b>18.2 LUX</b>	<b>16.04 M</b>	<b>16.11 M</b>
50.00M	<b>12.6 LUX</b>	<b>19.25 M</b>	<b>19.34 M</b>

■ Vert. Spread: 21.8°  
■ Horiz. Spread: 21.9°

Im = 3.28ft

**Vaya Flood MP G2 3000K, 40deg**

**Polar Candela Distribution**



**Illuminance at a Distance**

	Center Beam LUX	Beam Width	
8.33M	<b>146 LUX</b>	<b>5.68 M</b>	<b>5.74 M</b>
16.67M	<b>36.5 LUX</b>	<b>11.36 M</b>	<b>11.48 M</b>
25.00M	<b>16.2 LUX</b>	<b>17.04 M</b>	<b>17.21 M</b>
33.33M	<b>9.13 LUX</b>	<b>22.72 M</b>	<b>22.95 M</b>
41.67M	<b>5.84 LUX</b>	<b>28.41 M</b>	<b>28.69 M</b>
50.00M	<b>4.06 LUX</b>	<b>34.09 M</b>	<b>34.43 M</b>

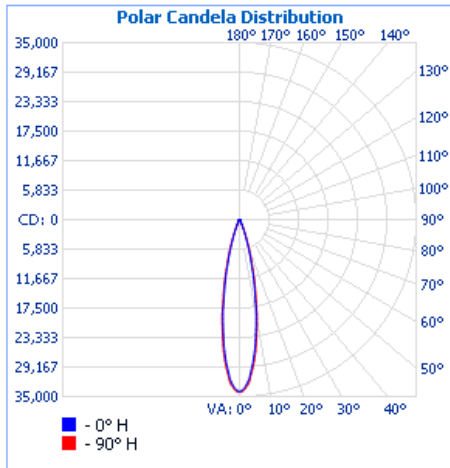
■ Vert. Spread: 37.6°  
■ Horiz. Spread: 38.0°

Im = 3.28ft

**Photometrics (Per IESNA LM-79):**

**Vaya Flood MP G2 4000K, 20deg**

**Polar Candela Distribution**



**Illuminance at a Distance**

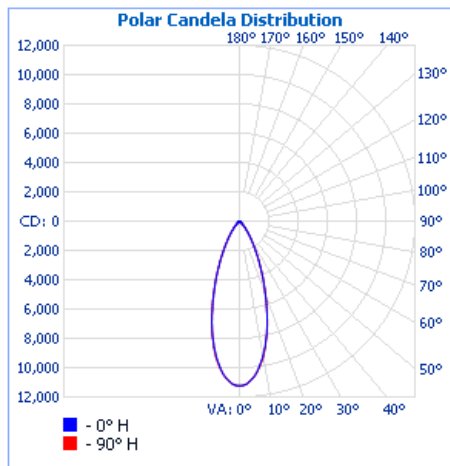
	Center Beam LUX	Beam Width	
8.33M	<b>490 LUX</b>	<b>3.21 M</b>	<b>3.36 M</b>
16.67M	<b>122 LUX</b>	<b>6.42 M</b>	<b>6.72 M</b>
25.00M	<b>54.4 LUX</b>	<b>9.63 M</b>	<b>10.07 M</b>
33.33M	<b>30.6 LUX</b>	<b>12.84 M</b>	<b>13.43 M</b>
41.67M	<b>19.6 LUX</b>	<b>16.05 M</b>	<b>16.79 M</b>
50.00M	<b>13.6 LUX</b>	<b>19.27 M</b>	<b>20.15 M</b>

■ Vert. Spread: 21.8°  
■ Horiz. Spread: 22.8°

Im = 3.28ft

**Vaya Flood MP G2 4000K, 40deg**

**Polar Candela Distribution**

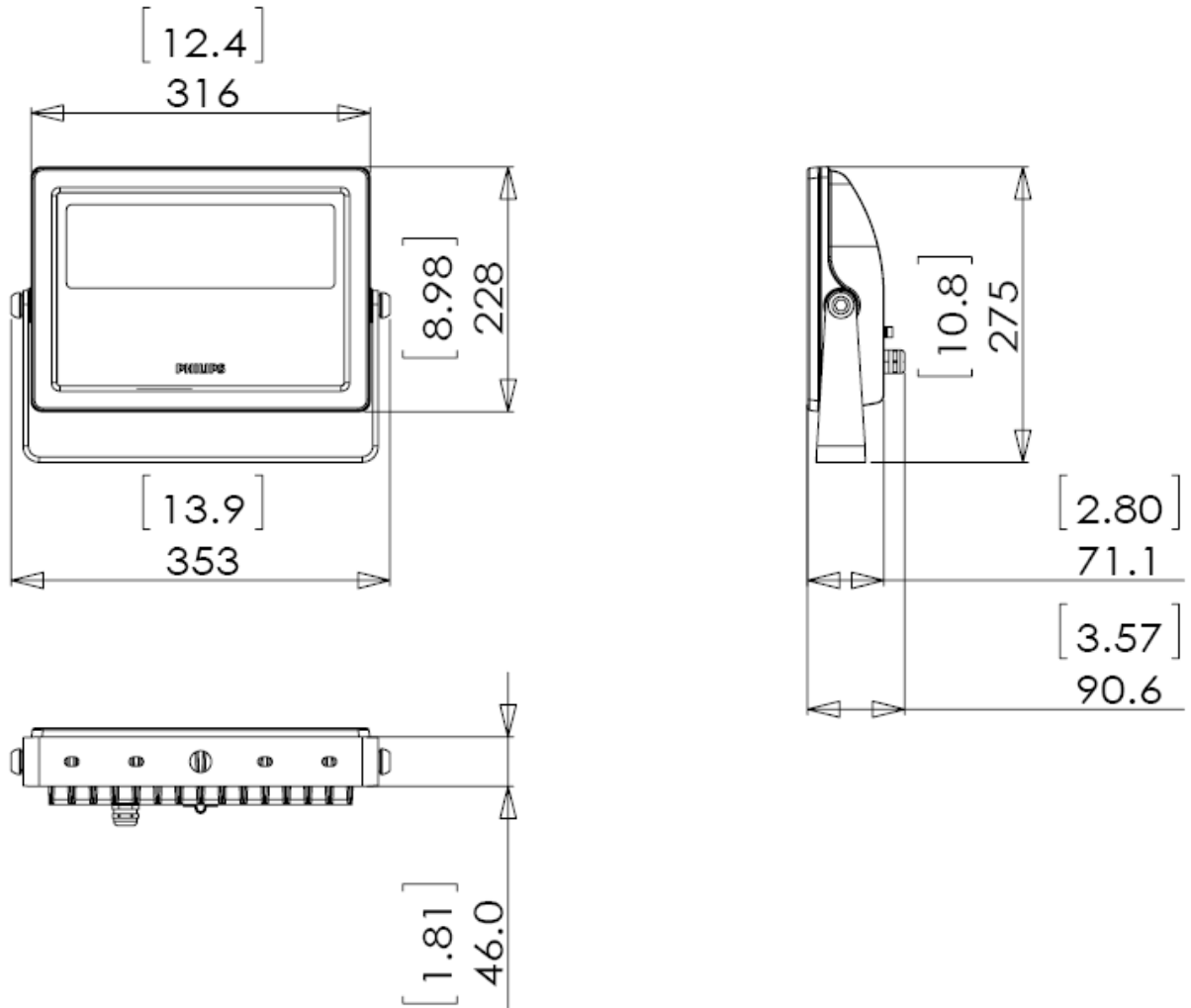


**Illuminance at a Distance**

	Center Beam LUX	Beam Width	
8.33M	<b>162 LUX</b>	<b>5.66 M</b>	<b>5.69 M</b>
16.67M	<b>40.4 LUX</b>	<b>11.31 M</b>	<b>11.38 M</b>
25.00M	<b>18.0 LUX</b>	<b>16.97 M</b>	<b>17.08 M</b>
33.33M	<b>10.1 LUX</b>	<b>22.62 M</b>	<b>22.77 M</b>
41.67M	<b>6.46 LUX</b>	<b>28.28 M</b>	<b>28.46 M</b>
50.00M	<b>4.49 LUX</b>	<b>33.93 M</b>	<b>34.15 M</b>

■ Vert. Spread: 37.5°  
■ Horiz. Spread: 37.7°

Im = 3.28ft

**Dimensions:**

**Ordering Codes:**

CCT	Beam Angle	Philips I2NC	Item Number	Certification
3000K	20°	912400134053	350-000016-53	PSE
3000K	40°	912400134054	350-000016-54	PSE
4000K	20°	912400134056	350-000016-56	PSE
4000K	40°	912400134057	350-000016-57	PSE

<sup>1</sup> Custom options include 2700K, 5000K, Red, Green, Blue, Amber color options

<sup>2</sup> Custom options include narrow (10°) & open beam (90°) versions

**Custom Options:**

CCT	Beam Angle	Philips I2NC	Item Number	Certification
2700K	10°	912400134058	350-000016-58	PSE
2700K	20°	912400134059	350-000016-59	PSE
2700K	40°	912400134060	350-000016-60	PSE
2700K	Open Beam	912400134066	350-000016-66	PSE
3000K	10°	912400134052	350-000016-52	PSE
3000K	Open Beam	912400134064	350-000016-64	PSE
4000K	10°	912400134055	350-000016-55	PSE
4000K	Open Beam	912400134065	350-000016-65	PSE
5000K	10°	912400134061	350-000016-61	PSE
5000K	20°	912400134062	350-000016-62	PSE
5000K	40°	912400134063	350-000016-63	PSE
5000K	Open Beam	912400134067	350-000016-67	PSE