

Vaya Flood MP G2, White & Mono

Vaya Flood MP (gen2) is a reliable and cost effective white light fixture for both interior and exterior use. Vaya Flood MP White & Mono is designed for general purpose flood, wash and accent lighting applications. Integrated power and adjustable tilt angle make this product versatile and easy to use.



Key Features

- Up to 10lx at 80m / 1fc at 262ft
- Compact die-cast aluminium housing
- Robust design & IP66 rating for outdoor use
- Available in standard 3000K & 4000K
- Available with standard 20° or 40° beams
- Auto-ranging 220V to 240V 50 / 60Hz input
- 3-Year Warranty

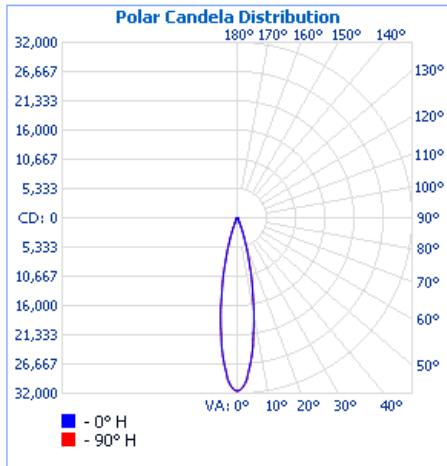
Product Data

Height	275 mm (10.8in), including surface mount base
Width	353 mm (13.9in)
Depth	90.6 mm (3.57in), excluding mounting base
Mounting	Integrated tilting surface-mount base
Source	High-brightness White or Mono LEDs
Standard Beam Angles	20° or 40°
Luminous Flux	5,656 lumens
Efficacy	83lm/W
CRI	80 Ra
Lumen Maintenance	50,000 hrs L ₇₀ at 25°C
Housing	Die Cast Aluminum, powder-coated finish RAL7043
Weight	5.75 kg (12.7 lbs)
Connector	3-conductor whip for power, 1.5m (5ft) long
Lens	Tempered glass
Standard Control	On / Off
Input Voltage	220V-240V AC, 50 / 60Hz
Power Consumption	68W
Temperature Range	-20°C to 40°C (-4°F ~104°F) start-up temperature -40°C to 40°C (-40°F ~104°F) operating temperature
Protection Rating	IP66, Wet location listed, IK09
Certifications	CE, CB, CQC
Warranty	3 Years

Photometrics (Per IESNA LM-79):

Vaya Flood MP G2 3000K, 20deg

Polar Candela Distribution



Illuminance at a Distance

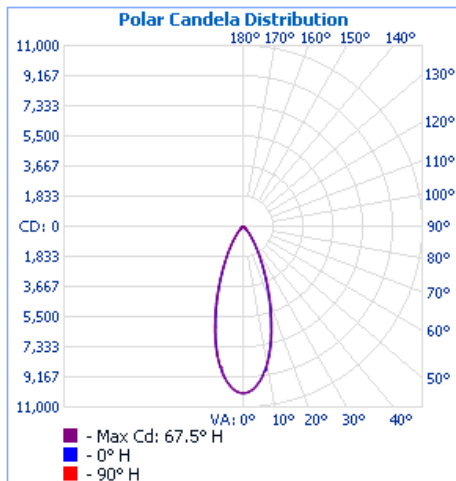
	Center Beam LUX	Beam Width	
8.33M	454 LUX	3.21 M	3.22 M
16.67M	114 LUX	6.42 M	6.45 M
25.00M	50.5 LUX	9.62 M	9.67 M
33.33M	28.4 LUX	12.83 M	12.89 M
41.67M	18.2 LUX	16.04 M	16.11 M
50.00M	12.6 LUX	19.25 M	19.34 M

■ Vert. Spread: 21.8°
■ Horiz. Spread: 21.9°

Im = 3.28ft

Vaya Flood MP G2 3000K, 40deg

Polar Candela Distribution



Illuminance at a Distance

	Center Beam LUX	Beam Width	
8.33M	146 LUX	5.68 M	5.74 M
16.67M	36.5 LUX	11.36 M	11.48 M
25.00M	16.2 LUX	17.04 M	17.21 M
33.33M	9.13 LUX	22.72 M	22.95 M
41.67M	5.84 LUX	28.41 M	28.69 M
50.00M	4.06 LUX	34.09 M	34.43 M

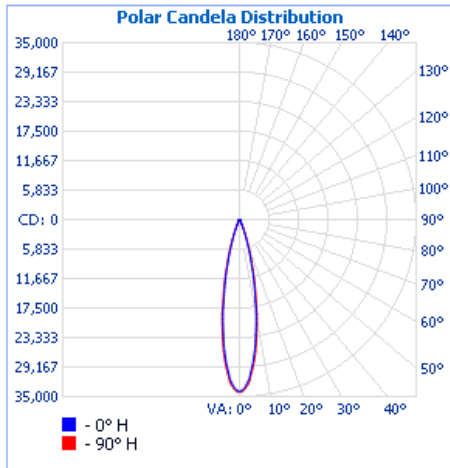
■ Vert. Spread: 37.6°
■ Horiz. Spread: 38.0°

Im = 3.28ft

Photometrics (Per IESNA LM-79):

Vaya Flood MP G2 4000K, 20deg

Polar Candela Distribution



Illuminance at a Distance

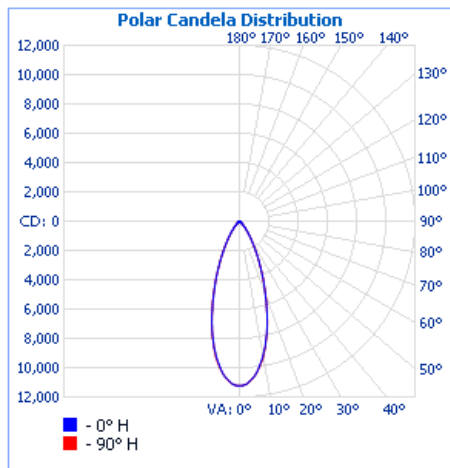
	Center Beam LUX	Beam Width	
8.33M	490 LUX	3.21 M	3.36 M
16.67M	122 LUX	6.42 M	6.72 M
25.00M	54.4 LUX	9.63 M	10.07 M
33.33M	30.6 LUX	12.84 M	13.43 M
41.67M	19.6 LUX	16.05 M	16.79 M
50.00M	13.6 LUX	19.27 M	20.15 M

■ Vert. Spread: 21.8°
■ Horiz. Spread: 22.8°

Im = 3.28ft

Vaya Flood MP G2 4000K, 40deg

Polar Candela Distribution

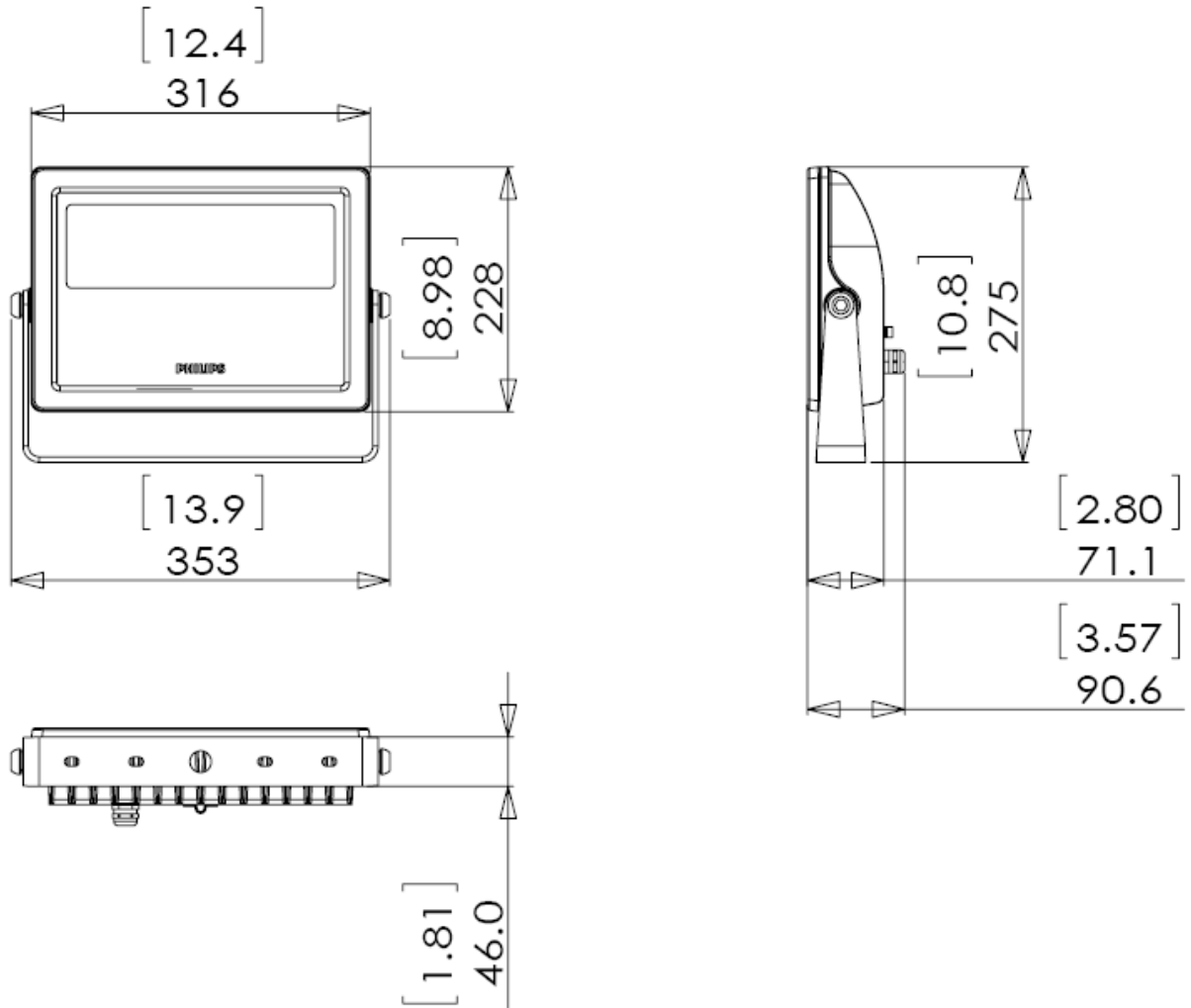


Illuminance at a Distance

	Center Beam LUX	Beam Width	
8.33M	162 LUX	5.66 M	5.69 M
16.67M	40.4 LUX	11.31 M	11.38 M
25.00M	18.0 LUX	16.97 M	17.08 M
33.33M	10.1 LUX	22.62 M	22.77 M
41.67M	6.46 LUX	28.28 M	28.46 M
50.00M	4.49 LUX	33.93 M	34.15 M

■ Vert. Spread: 37.5°
■ Horiz. Spread: 37.7°

Im = 3.28ft

Dimensions:

Ordering Codes:

CCT	Beam Angle	Philips I2NC	Item Number	Certification
3000K	20°	912400134021	350-000016-01	CE / CQC
3000K	40°	912400134022	350-000016-02	CE / CQC
4000K	20°	912400134024	350-000016-09	CE / CQC
4000K	40°	912400134025	350-000016-10	CE / CQC

¹ Custom options include 2700K, 5000K, Red, Green, Blue, Amber color options

² Custom options include narrow (10°) & open beam (90°) versions

Custom Options:

CCT	Beam Angle	Philips I2NC	Item Number	Certification
2700K	10°	912400134032	350-000016-28	CE / CQC
2700K	20°	912400134033	350-000016-29	CE / CQC
2700K	40°	912400134034	350-000016-30	CE / CQC
2700K	Open Beam	912400134048	350-000016-48	CE / CQC
3000K	10°	912400134020	350-000016-00	CE / CQC
3000K	Open Beam	912400134044	350-000016-44	CE / CQC
4000K	10°	912400134023	350-000016-08	CE / CQC
4000K	Open Beam	912400134046	350-000016-46	CE / CQC
5000K	10°	912400134038	350-000016-36	CE / CQC
5000K	20°	912400134039	350-000016-37	CE / CQC
5000K	40°	912400134040	350-000016-38	CE / CQC
5000K	Open Beam	912400134050	350-000016-50	CE / CQC