

## Vaya Flood LP G2, White & Mono, Landscape Mount

Vaya Flood LP (gen2) is a reliable and cost effective white light fixture for both interior and exterior use. Vaya Flood LP White & Mono is designed for general purpose flood, wash and accent lighting applications. Integrated power and adjustable tilt angle make this product versatile and easy to use.



### Key Features

- Up to 10lx at 60m / 1fc at 196ft
- Die-cast aluminium housing & tempered glass
- IP66 rating for outdoor use
- Available in standard 3000K & 4000K
- Available with standard 20° or 40° beams
- Auto-ranging 100V-240V AC, 50 / 60Hz input
- DLC-listed with 5 years limited warranty

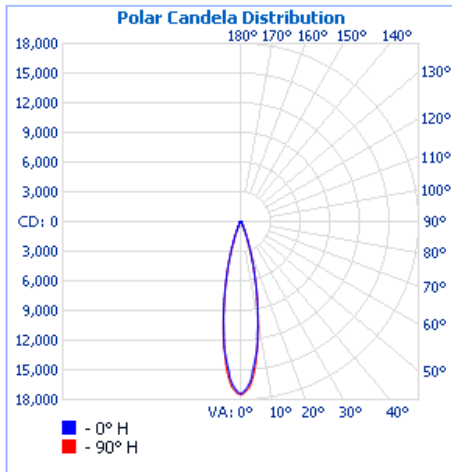
### Product Data

Height	260 mm (10.2in), including NPT mounting base	
Width	213 mm (8.39in)	
Depth	77.4 mm (3.05in), excluding NPT mounting base	
Mounting	Integrated ½" NPT mounting base	
Source	High-brightness White or Mono LEDs	
Standard Beam Angles	20° or 40°	
Luminous Flux	3,380 lumens	
Efficacy	79lm/W	
CRI	80 Ra	
Lumen Maintenance	50,000 hrs L <sub>70</sub> at 25°C	
Housing	Die Cast Aluminum, powder-coated finish RAL7043	
Weight	3.0 kg (6.6 lbs)	
Connector	3-conductor whip for power, 1.5m (5ft) long	
Lens	Tempered glass	
Control	On / Off	
Input Voltage	100V-240V AC, 50 / 60Hz	
Power Consumption	44W	47W
Temperature Range	-20°C to 40°C (-4°F ~104°F) start-up temperature -40°C to 40°C (-40°F ~104°F) operating temperature	
Protection Rating	IP66, Wet location listed, IK09	
Certifications	UL / cUL, FCC Class A	
Warranty	5 Years	

**Photometrics (Per IESNA LM-79):**

**Vaya Flood LP G2 3000K, 20deg**

**Polar Candela Distribution**



**Illuminance at a Distance**

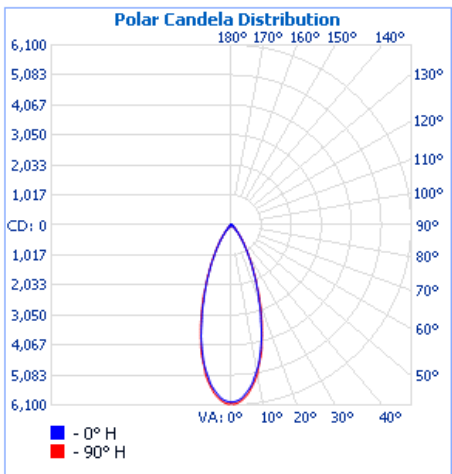
	Center Beam LUX	Beam Width	
8.33M	<b>248 LUX</b>	<b>3.33 M</b>	<b>3.38 M</b>
16.67M	<b>62.1 LUX</b>	<b>6.66 M</b>	<b>6.76 M</b>
25.00M	<b>27.6 LUX</b>	<b>9.99 M</b>	<b>10.13 M</b>
33.33M	<b>15.5 LUX</b>	<b>13.31 M</b>	<b>13.51 M</b>
41.67M	<b>9.93 LUX</b>	<b>16.64 M</b>	<b>16.89 M</b>
50.00M	<b>6.90 LUX</b>	<b>19.97 M</b>	<b>20.27 M</b>

■ Vert. Spread: 22.6°  
■ Horiz. Spread: 22.9°

Im = 3.28ft

**Vaya Flood LP G2 3000K, 40deg**

**Polar Candela Distribution**



**Illuminance at a Distance**

	Center Beam LUX	Beam Width	
8.33M	<b>86.4 LUX</b>	<b>5.67 M</b>	<b>5.86 M</b>
16.67M	<b>21.6 LUX</b>	<b>11.34 M</b>	<b>11.71 M</b>
25.00M	<b>9.60 LUX</b>	<b>17.02 M</b>	<b>17.57 M</b>
33.33M	<b>5.40 LUX</b>	<b>22.69 M</b>	<b>23.42 M</b>
41.67M	<b>3.46 LUX</b>	<b>28.36 M</b>	<b>29.28 M</b>
50.00M	<b>2.40 LUX</b>	<b>34.03 M</b>	<b>35.13 M</b>

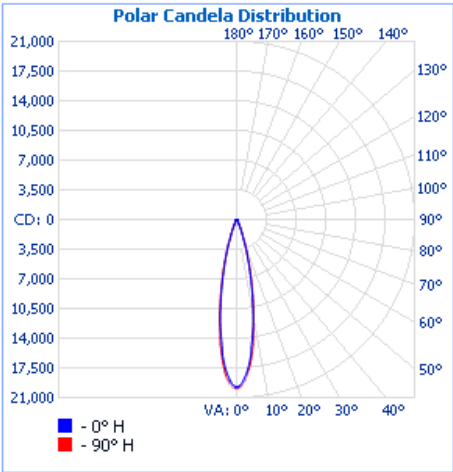
■ Vert. Spread: 37.6°  
■ Horiz. Spread: 38.7°

Im = 3.28ft

**Photometrics (Per IESNA LM-79):**

**Vaya Flood LP G2 4000K, 20deg**

**Polar Candela Distribution**



**Illuminance at a Distance**

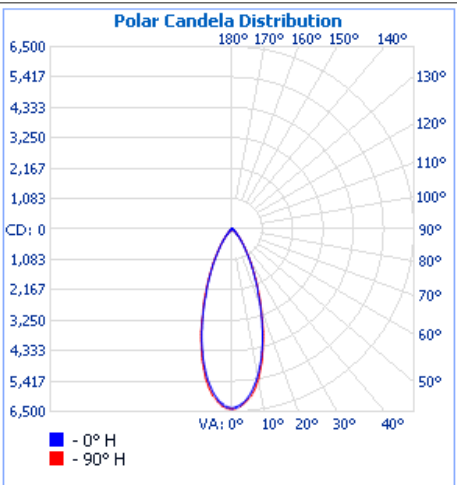
	Illuminance at a Distance	
	Center Beam LUX	Beam Width
8.33M	<b>284 LUX</b>	<b>3.28 M 3.36 M</b>
16.67M	<b>70.9 LUX</b>	<b>6.56 M 6.73 M</b>
25.00M	<b>31.5 LUX</b>	<b>9.85 M 10.09 M</b>
33.33M	<b>17.7 LUX</b>	<b>13.13 M 13.45 M</b>
41.67M	<b>11.3 LUX</b>	<b>16.41 M 16.82 M</b>
50.00M	<b>7.88 LUX</b>	<b>19.69 M 20.18 M</b>

■ Vert. Spread: 22.3°  
■ Horiz. Spread: 22.8°

Im = 3.28ft

**Vaya Flood LP G2 4000K, 40deg**

**Polar Candela Distribution**



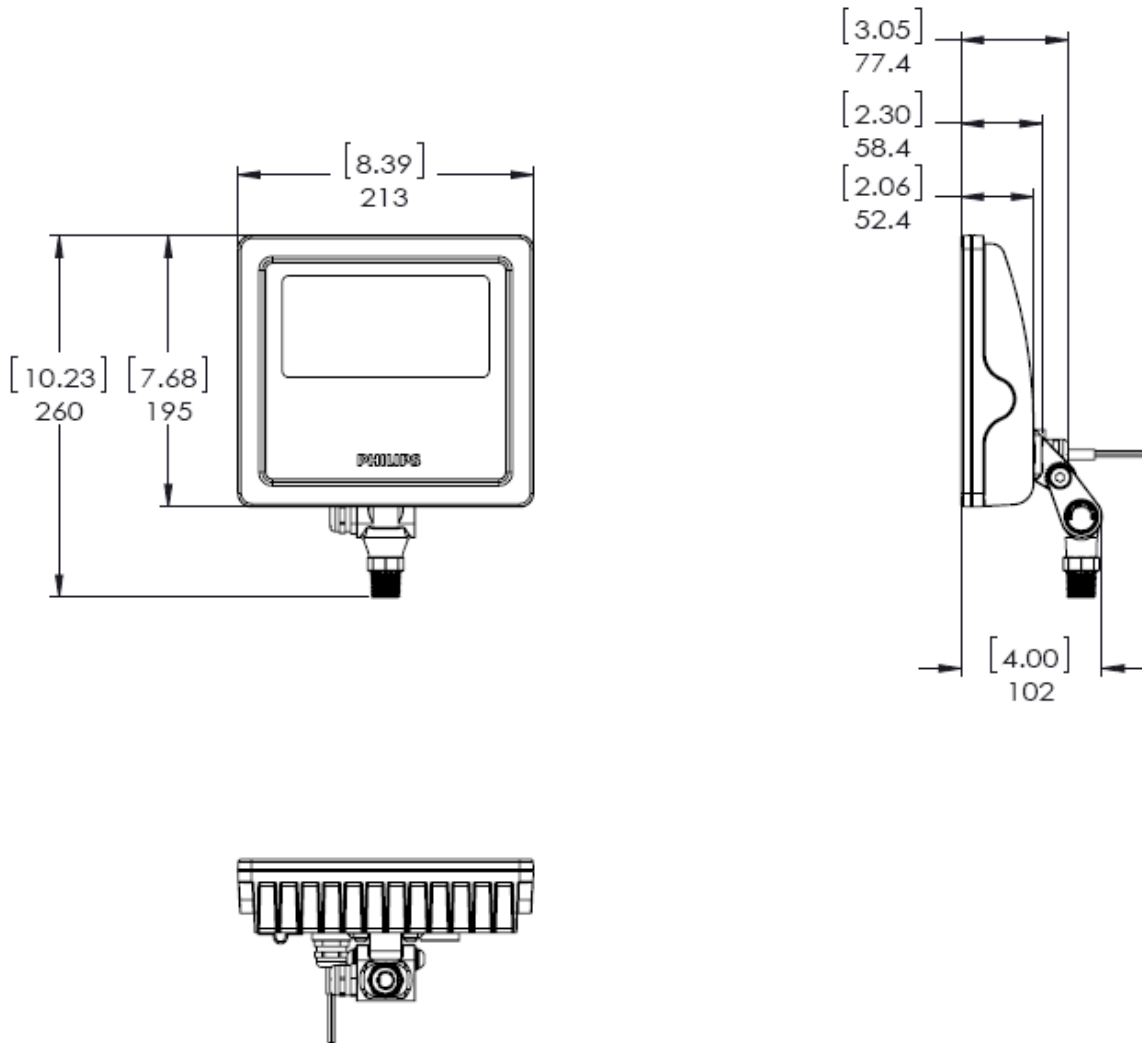
**Illuminance at a Distance**

	Illuminance at a Distance	
	Center Beam LUX	Beam Width
8.33M	<b>91.4 LUX</b>	<b>5.68 M 5.80 M</b>
16.67M	<b>22.9 LUX</b>	<b>11.35 M 11.60 M</b>
25.00M	<b>10.2 LUX</b>	<b>17.03 M 17.40 M</b>
33.33M	<b>5.71 LUX</b>	<b>22.71 M 23.20 M</b>
41.67M	<b>3.66 LUX</b>	<b>28.38 M 29.00 M</b>
50.00M	<b>2.54 LUX</b>	<b>34.06 M 34.80 M</b>

■ Vert. Spread: 37.6°  
■ Horiz. Spread: 36.4°

Im = 3.28ft

**Dimensions:**



**Ordering Codes:**

CCT	Beam Angle	Philips I2NC	Item Number	Certification
3000K	20°	912400133931	350-000015-21	UL / cUL
3000K	40°	912400133959	350-000015-22	UL / cUL
4000K	20°	912400133936	350-000015-29	UL / cUL
4000K	40°	912400133939	350-000015-30	UL / cUL

<sup>1</sup> Custom options include 2700K, 5000K, Red, Green, Blue, Amber color options

<sup>2</sup> Custom options include narrow (10°) & open beam (90°) versions

**Custom Options:**

CCT	Beam Angle	Philips I2NC	Item Number	Certification
2700K	10°	912400133952	350-000015-52	UL / cUL
2700K	20°	912400133953	350-000015-53	UL / cUL
2700K	40°	912400133954	350-000015-54	UL / cUL
2700K	Open Beam	912400133966	350-000015-72	UL / cUL
3000K	10°	912400133930	350-000015-20	UL / cUL
3000K	Open Beam	912400133962	350-000015-66	UL / cUL
4000K	10°	912400133933	350-000015-28	UL / cUL
4000K	Open Beam	912400133944	350-000015-69	UL / cUL
5000K	10°	912400133947	350-000015-60	UL / cUL
5000K	20°	912400133956	350-000015-61	UL / cUL
5000K	40°	912400133969	350-000015-62	UL / cUL
5000K	Open Beam	912400133972	350-000015-75	UL / cUL