

## Vaya Flood LP G2, RGB

Vaya Flood LP (gen2) is a reliable and cost effective color-changing light fixture for both interior and exterior use. Designed for creating fixed or dynamic colorful lighting effects, Vaya Flood LP RGB is ideal for flood, wash and accent lighting applications. Integrated power and DMX-512 control make this product easy to use with Philips or third-party DMX controllers.



### Key Features

- Die-cast aluminium housing & tempered glass
- IP66 rating for outdoor use
- Available with standard 20° or 40° beams
- Auto-ranging 100V-240V AC, 50 / 60Hz input
- DMX-512 control
- 3-Year Warranty

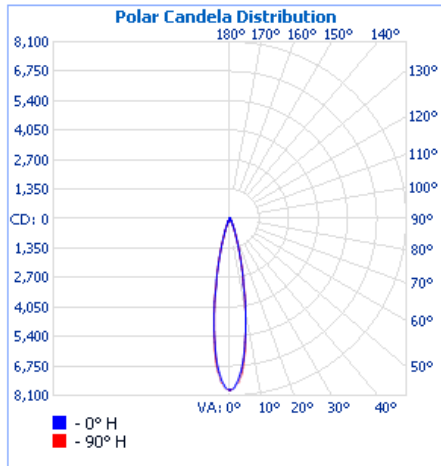
### Product Data

Height	223 mm (8.78in), including surface mount base
Width	236 mm (9.31in)
Depth	77.4 mm (3.05in), excluding mounting base
Mounting	Integrated tilting surface-mount base
Source	High-brightness Red, Green and Blue LEDs
Standard Beam Angles	20° or 40°
Luminous Flux	1,380 lumens all colors on full
Lumen Maintenance	50,000 hrs L <sub>50</sub> at 25°C
Housing	Die Cast Aluminum, powder-coated finish RAL7043
Weight	3.0 kg (6.6 lbs)
Connector	3-conductor whip for power, 1.5m (5ft) long 2-pair twisted whip for data, 1.5m (5ft) long
Lens	Tempered glass
Control	DMX-512 control, 3 addresses per fixture
Input Voltage	100V-240V AC, 50 / 60Hz
Power Consumption	45W
Temperature Range	-20°C to 40°C (-4°F ~104°F) start-up temperature -40°C to 40°C (-40°F ~104°F) operating temperature
Protection Rating	IP66, Wet location listed, IK09
Certifications	UL / cUL, FCC Class A, CE, CB, CQC, PSE
Warranty	3 Years

**Photometrics (Per IESNA LM-79):**

**Vaya Flood LP G2 RGB, 20deg**

**Polar Candela Distribution**



**Illuminance at a Distance**

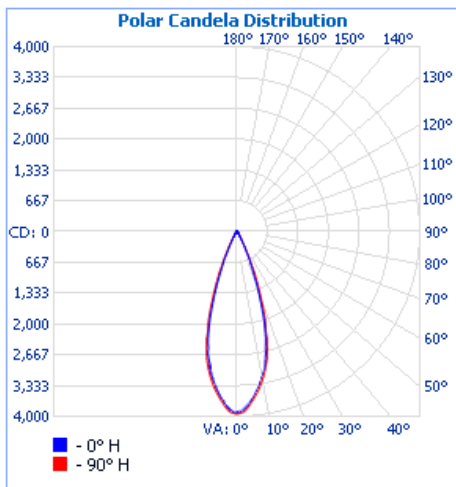
	Center Beam LUX	Beam Width	
8.33M	<b>113 LUX</b>	<b>3.07 M</b>	<b>3.04 M</b>
16.67M	<b>28.2 LUX</b>	<b>6.13 M</b>	<b>6.09 M</b>
25.00M	<b>12.5 LUX</b>	<b>9.20 M</b>	<b>9.13 M</b>
33.33M	<b>7.04 LUX</b>	<b>12.26 M</b>	<b>12.18 M</b>
41.67M	<b>4.51 LUX</b>	<b>15.33 M</b>	<b>15.22 M</b>
50.00M	<b>3.13 LUX</b>	<b>18.39 M</b>	<b>18.27 M</b>

■ Vert. Spread: 20.8°  
 ■ Horiz. Spread: 20.7°

Im = 3.28ft

**Vaya Flood LP G2 RGB, 40deg**

**Polar Candela Distribution**



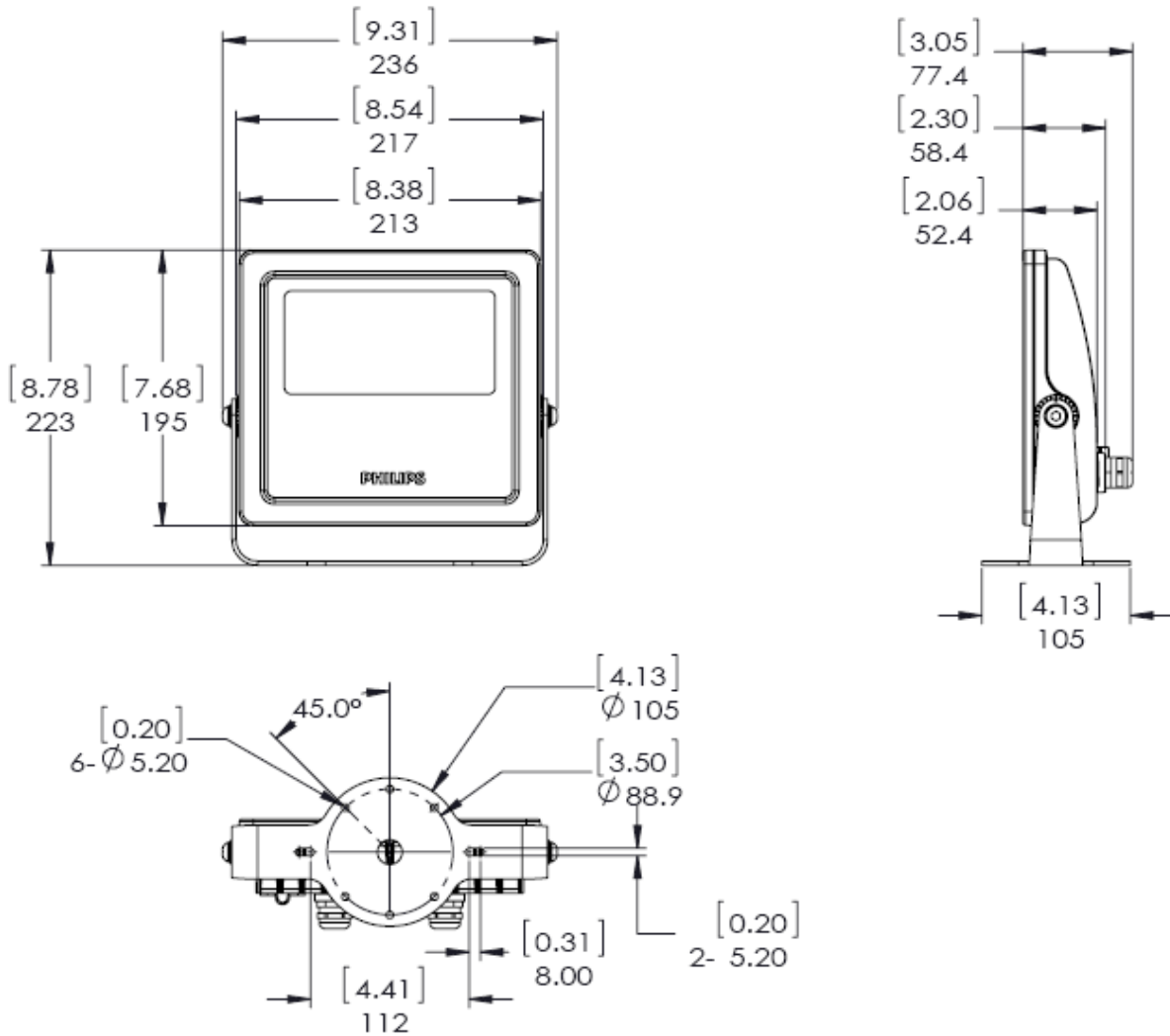
**Illuminance at a Distance**

	Center Beam LUX	Beam Width	
8.33M	<b>55.2 LUX</b>	<b>5.20 M</b>	<b>5.49 M</b>
16.67M	<b>13.8 LUX</b>	<b>10.40 M</b>	<b>10.98 M</b>
25.00M	<b>6.13 LUX</b>	<b>15.60 M</b>	<b>16.47 M</b>
33.33M	<b>3.45 LUX</b>	<b>20.80 M</b>	<b>21.96 M</b>
41.67M	<b>2.21 LUX</b>	<b>26.00 M</b>	<b>27.45 M</b>
50.00M	<b>1.53 LUX</b>	<b>31.20 M</b>	<b>32.94 M</b>

■ Vert. Spread: 34.7°  
 ■ Horiz. Spread: 36.5°

Im = 3.28ft

**Dimensions:**



**Ordering Codes:**

Product	Philips 12NC	Item Number	Beam Angle	Certification
Vaya Flood LP G2 RGB	912400133973	316-000015-01	20°	CE / CQC / PSE
Vaya Flood LP G2 RGB	912400133975	316-000015-02	40°	CE / CQC / PSE
Vaya Flood LP G2 RGB	912400133974	316-000015-05	20°	UL / cUL
Vaya Flood LP G2 RGB	912400133976	316-000015-06	40°	UL / cUL

<sup>1</sup> Custom options include narrow (10°) versions

**Custom Options:**

<b>Product</b>	<b>Philips I2NC</b>	<b>Item Number</b>	<b>Beam Angle</b>	<b>Certification</b>
Vaya Flood LP G2 RGB	912400133898	316-000015-00	10°	CE / CQC / PSE
Vaya Flood LP G2 RGB	912400133899	316-000015-04	10°	UL / cUL